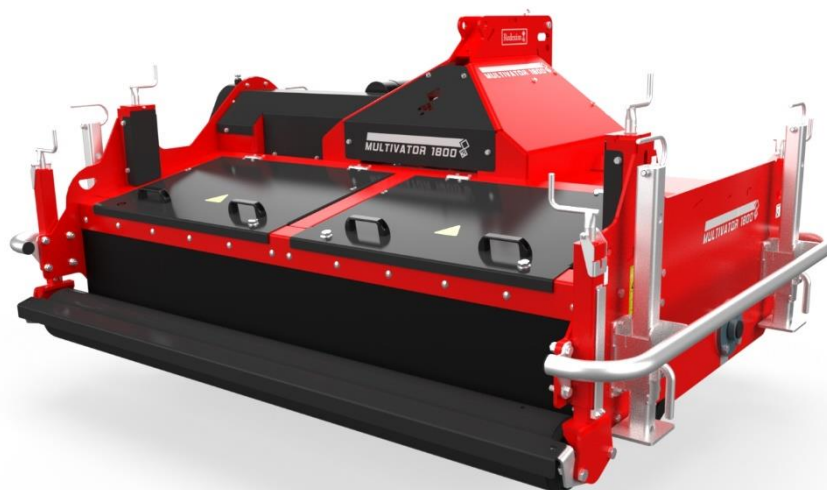


## **MULTIVATOR 1800**

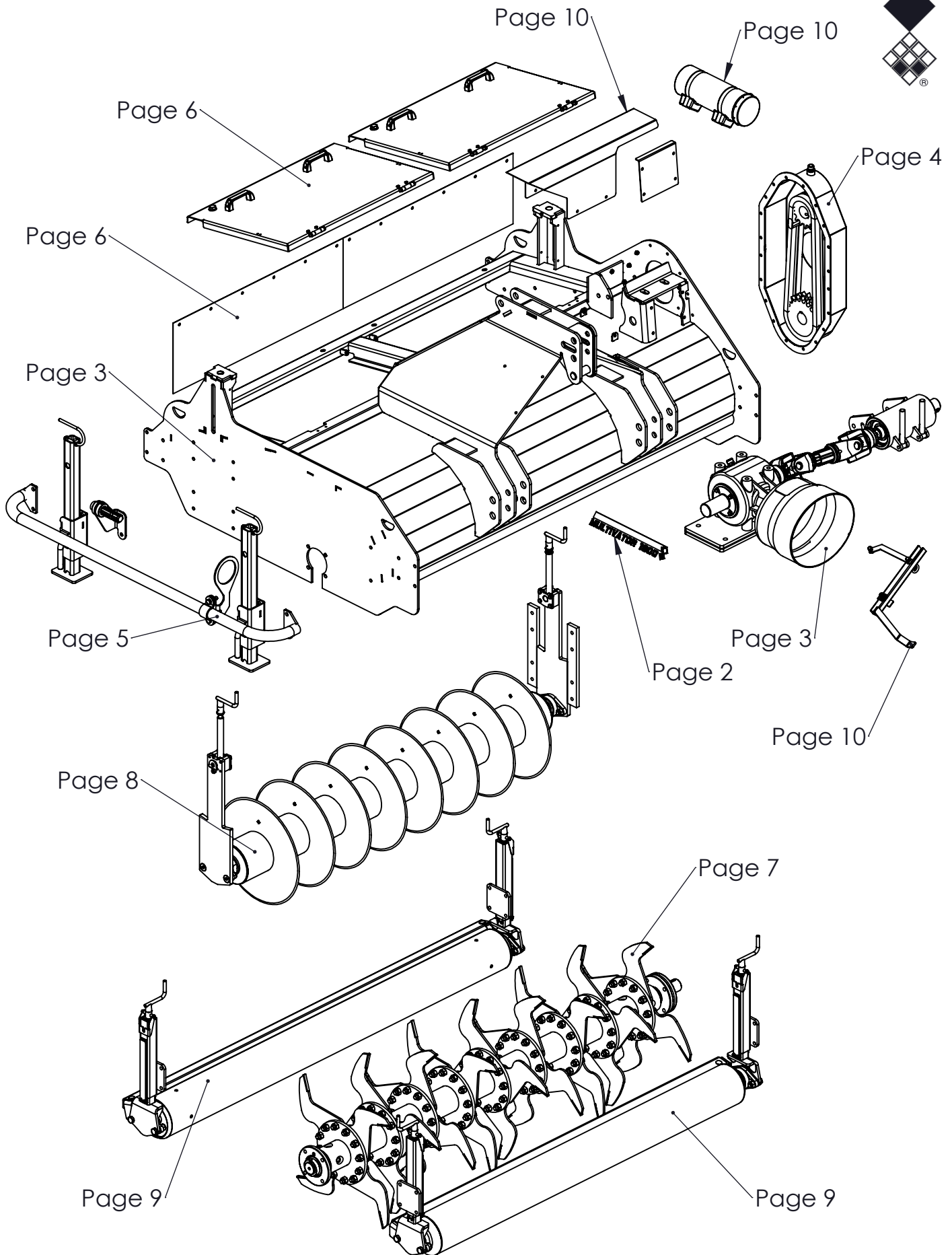


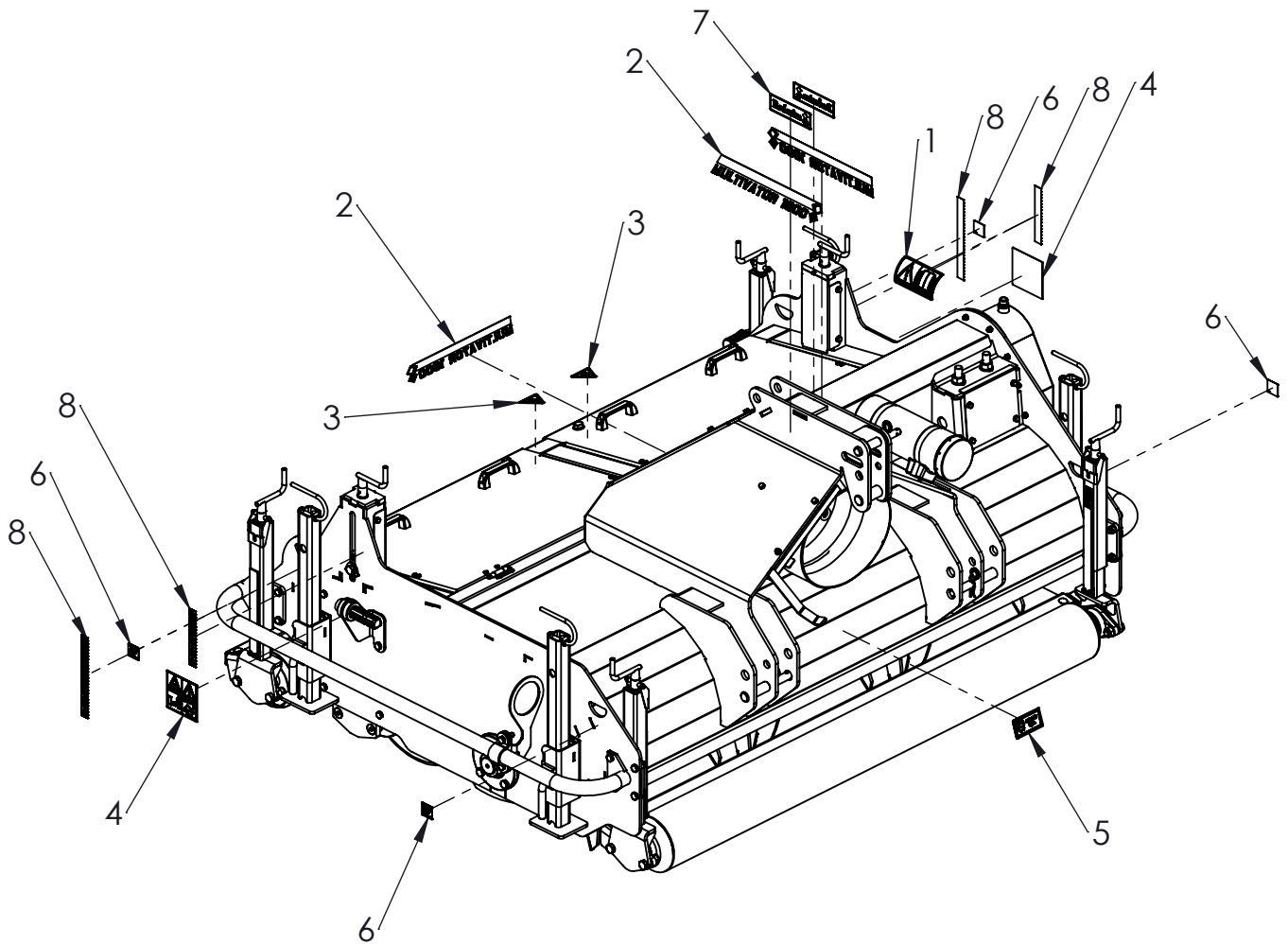
Version: 2415



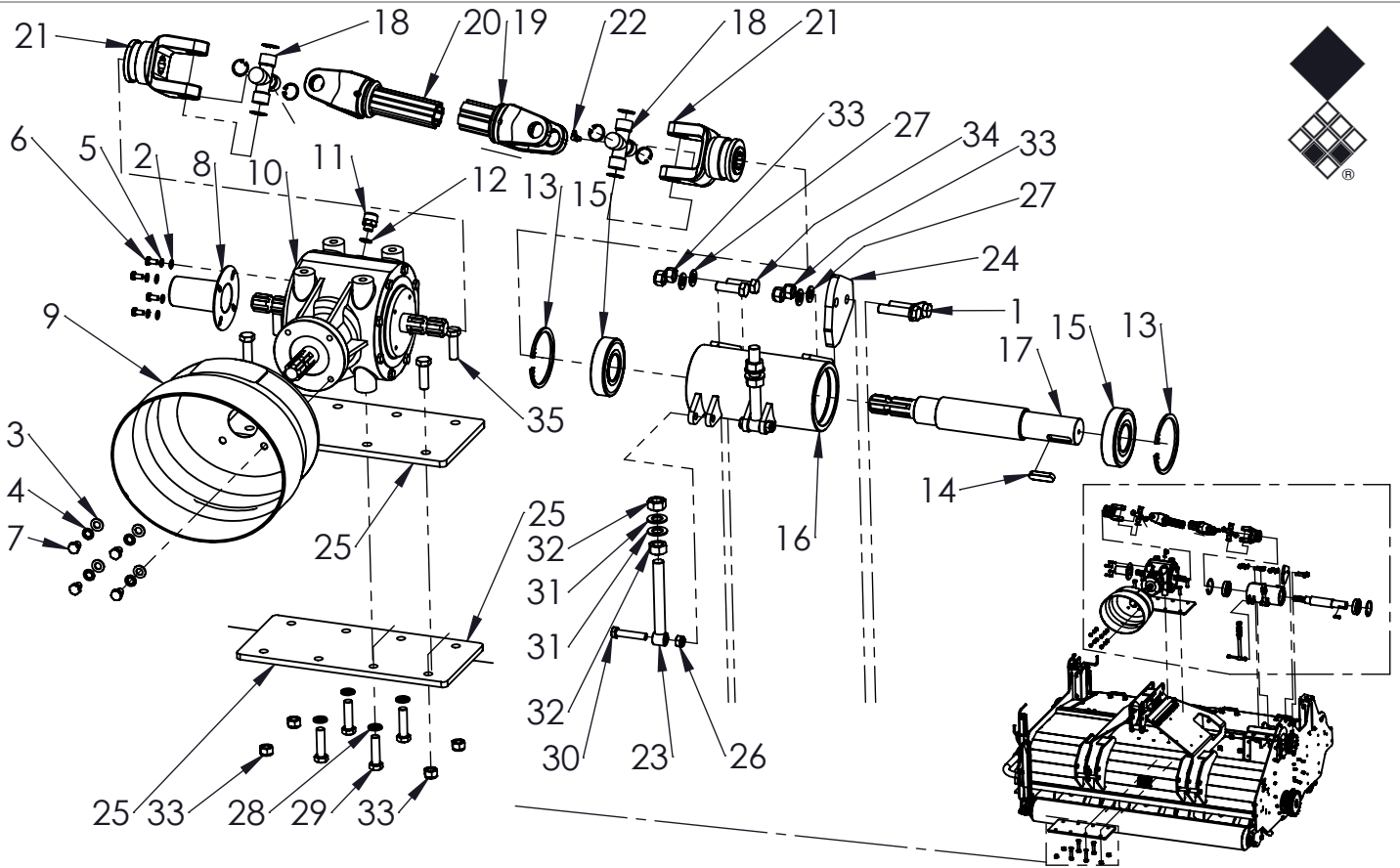
Kwekerijweg 8 | 3709JA | Zeist | The Netherlands |  
T: +31 (0)306 933 227  
E: [redexim@redexim.com](mailto:redexim@redexim.com)  
W: [www.redexim.com](http://www.redexim.com)



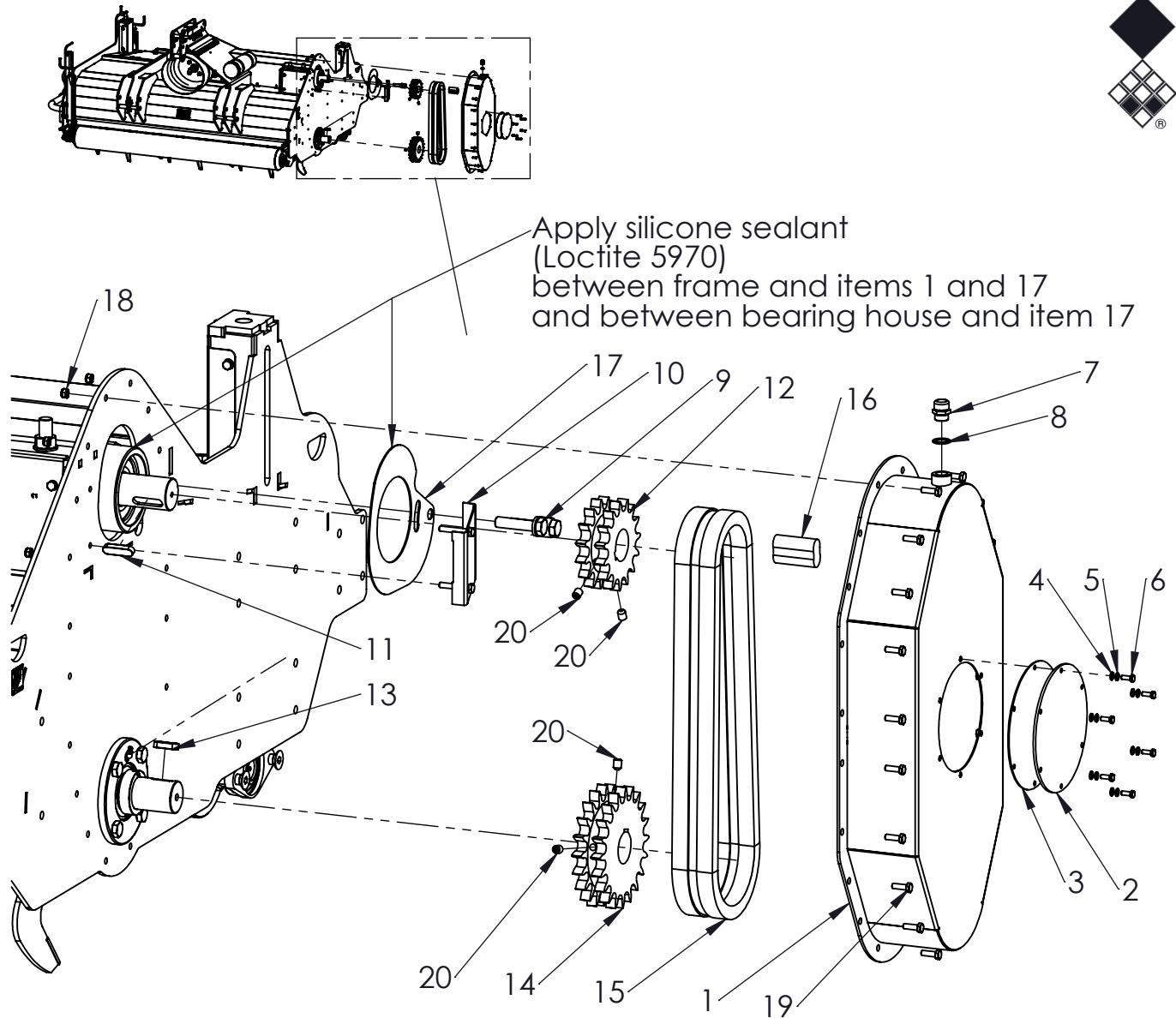




ITEM	PART NUMBER	DESCRIPTION	REMARKS	QUA
1	900.280.402	Safety decall manual		1
2	915.260.302	Label MULTIVATOR 1800		3
3	900.280.404	Decal cut off fingers		2
4	921.280.402	Safety decall VS		2
5	900.260.422	Decal PTO 350 540		1
6	922.340.008	Decall fixation point		4
7	900.260.401	Logo Label		2
8	900.260.414	Decal Ruler		4

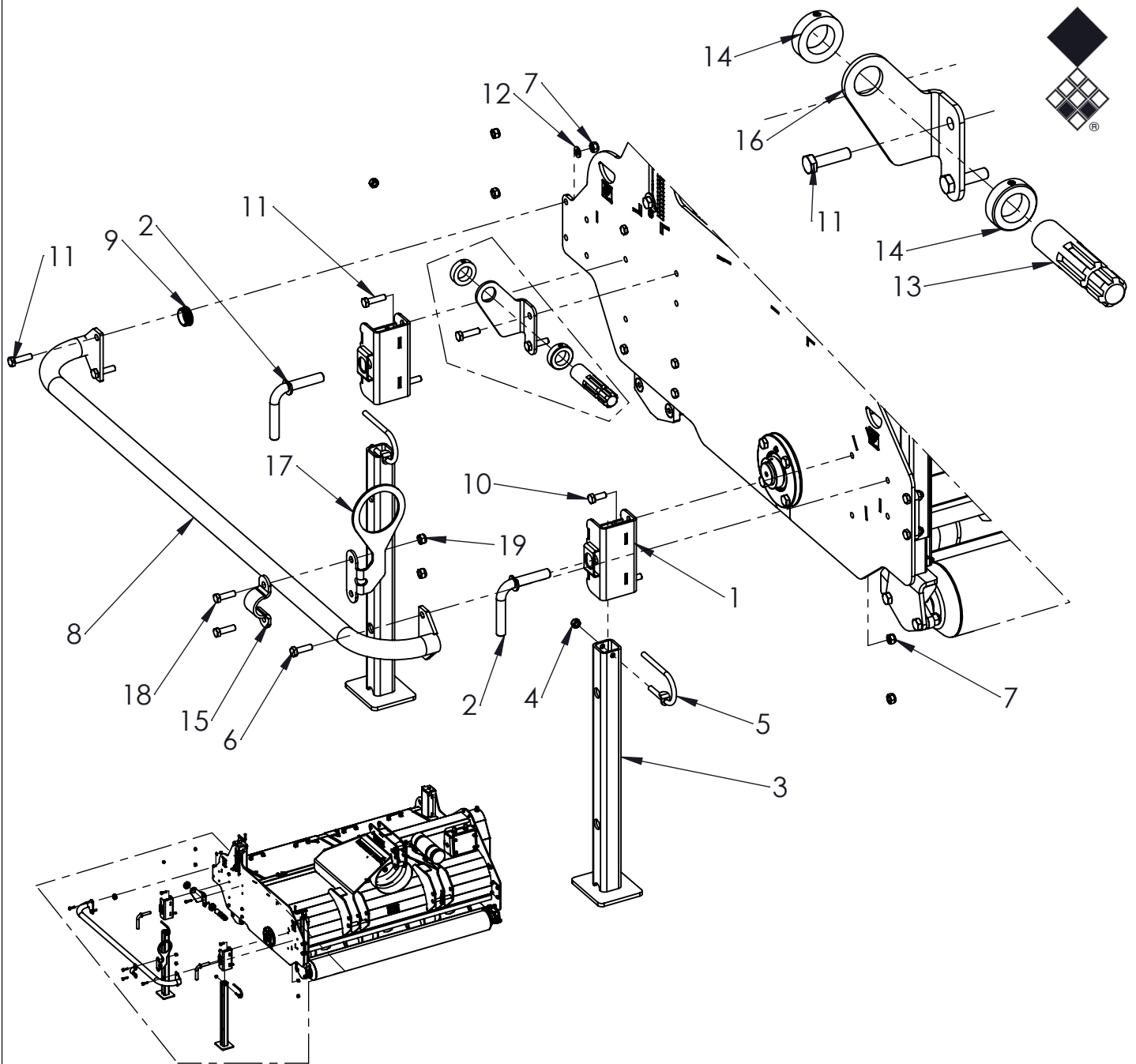


ITEM	PART NUMBER	DESCRIPTION	REMARKS	QUA
1	470.040.850	Bolt plate		1
2	864.080.030	Washer M8 - ISO 7089		4
3	864.120.030	Washer M12 - ISO 7089		4
4	866.120.020	Spring Washer M12 - DIN 127		4
5	866.080.020	Spring Washer M8 - DIN 127		4
6	804.080.160	Bolt M8 x 16 - ISO 4017		4
7	804.120.160	Bolt M12 x 16 - ISO 4017		4
8	629.123.108	Cover PTO Shaft		1
9	629.300.350	PTO Cover 4xØ13 PD120		1
10	622.225.319	Gearbox Commer T-290A 1:1		1
11	537.380.360	Breather 3/8" BSP		1
12	874.170.020	Copper washer 3_8		1
13	872.110.400	Circlip D=110 - DIN 472		2
14	884.140.500	Key 14x9x50 DIN 6885		1
15	713.500.270	Bearing 6310-2RS		2
16	478.133.265	Bearing house drive shaft		1
17	420.604.230	Drive shaft		1
18	180016004	Cross and 4x circlip kit		2
19	151016388	Outer tube yoke type V-60		1
20	153260101	V60-series Inner tube L=175		1
21	141026544	Complete collar yoke type 60		2
22	880.060.102	Grease nipple M6 90deg		2
23	474.241.730	Eye bolt spanner		2
24	468.151.350	Spacer		1
25	468.124.600	Gearbox plate		2
26	830.120.120	Self Lock Nut M12 - ISO 10511 Class 10		2
27	864.160.030	Washer M16 - ISO 7089		4
28	866.160.020	Spring Washer M16 - DIN 127		4
29	804.160.600	Bolt M16 x 60 - ISO 4017		4
30	802.120.600	Bolt M12 x 60 - ISO 4014		2
31	864.200.030	Washer M20 - ISO 7089		4
32	826.200.200	Nut M20 - DIN 934		4
33	830.160.160	Self Lock Nut M16-ISO 10511 Class 10		8
34	804.160.500	Bolt M16 x 50 - ISO 4017		2
35	802.160.500	Bolt M16 x 50 - ISO 4014		4

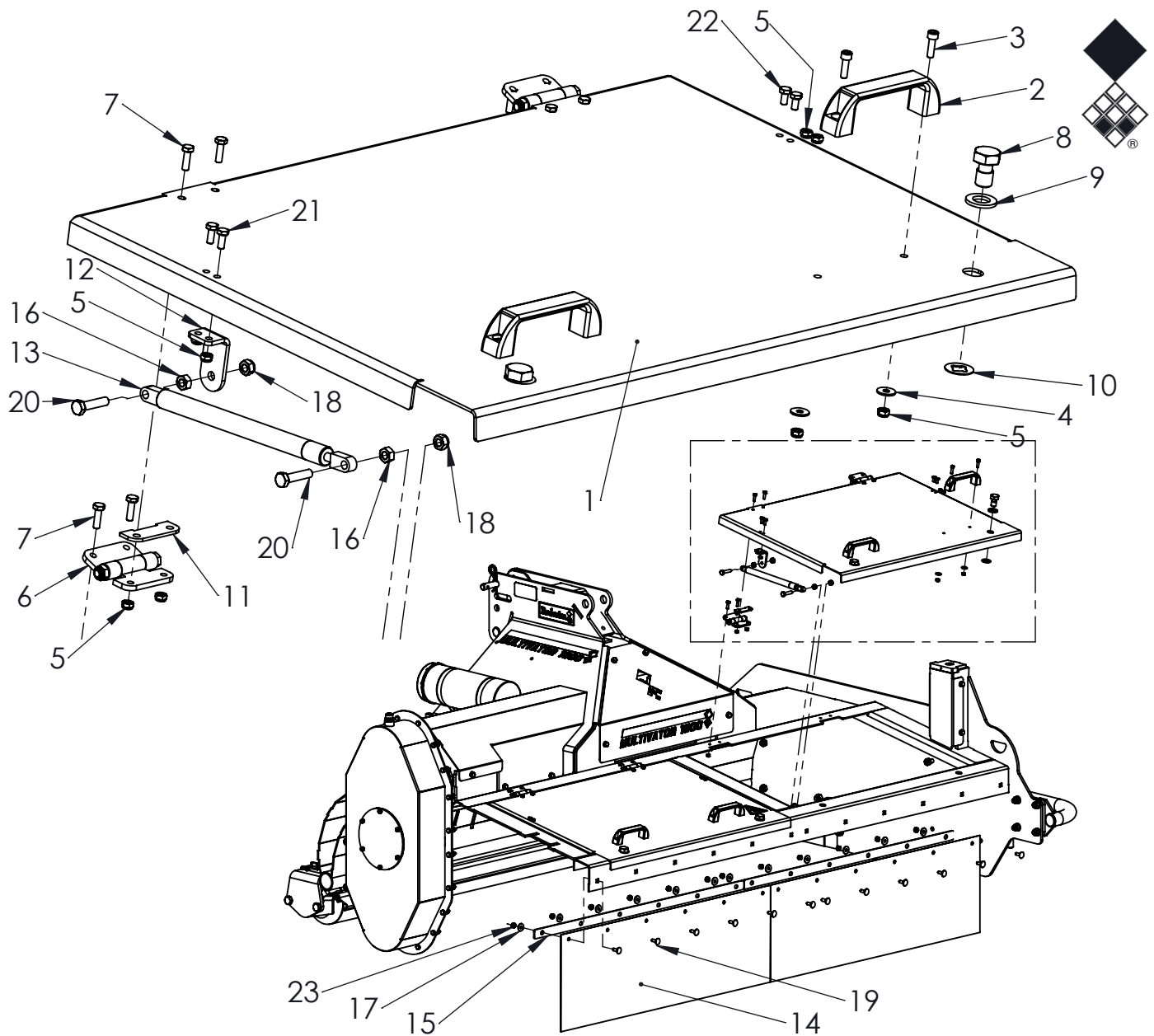


Apply silicone sealant (Loctite 5970) between frame and items 1 and 17 and between bearing house and item 17

ITEM	PART NUMBER	DESCRIPTION	REMARKS	QUA
1	456.080.039	Side cover		1
2	468.042.000	Plate		1
3	446.022.000	Rubber seal		1
4	864.060.030	Washer M6 - ISO 7089		6
5	866.060.020	Spring Washer M6 - DIN 127		6
6	804.060.160	Bolt M6 x 16 - ISO 4017		6
7	537.120.300	Breather 1/2"		1
8	874.210.020	Copper washer 1_2		1
9	470.040.850	Bolt plate		1
10	470.040.150	Contraplate		1
11	884.140.500	Key 14x9x50 DIN 6885		1
12	636.041.339	Sprocket 1" x 15T		1
13	884.140.400	Key 14x9x40 DIN 6885		1
14	636.041.732	Sprocket 1" - 20T		1
15	632.041.430	Duplex Chain 1" L=1422 28 shackles		1
16	638.040.252	Chain connector 1" 16B Duplex		1
17	456.025.023	Shield		1
18	830.080.080	Self Lock Nut M8 - ISO 10511		20
19	804.080.250	Bolt M8 x 25 - ISO 4017		20
20	818.120.160	Set screw M12 x 16 - DIN 916		4

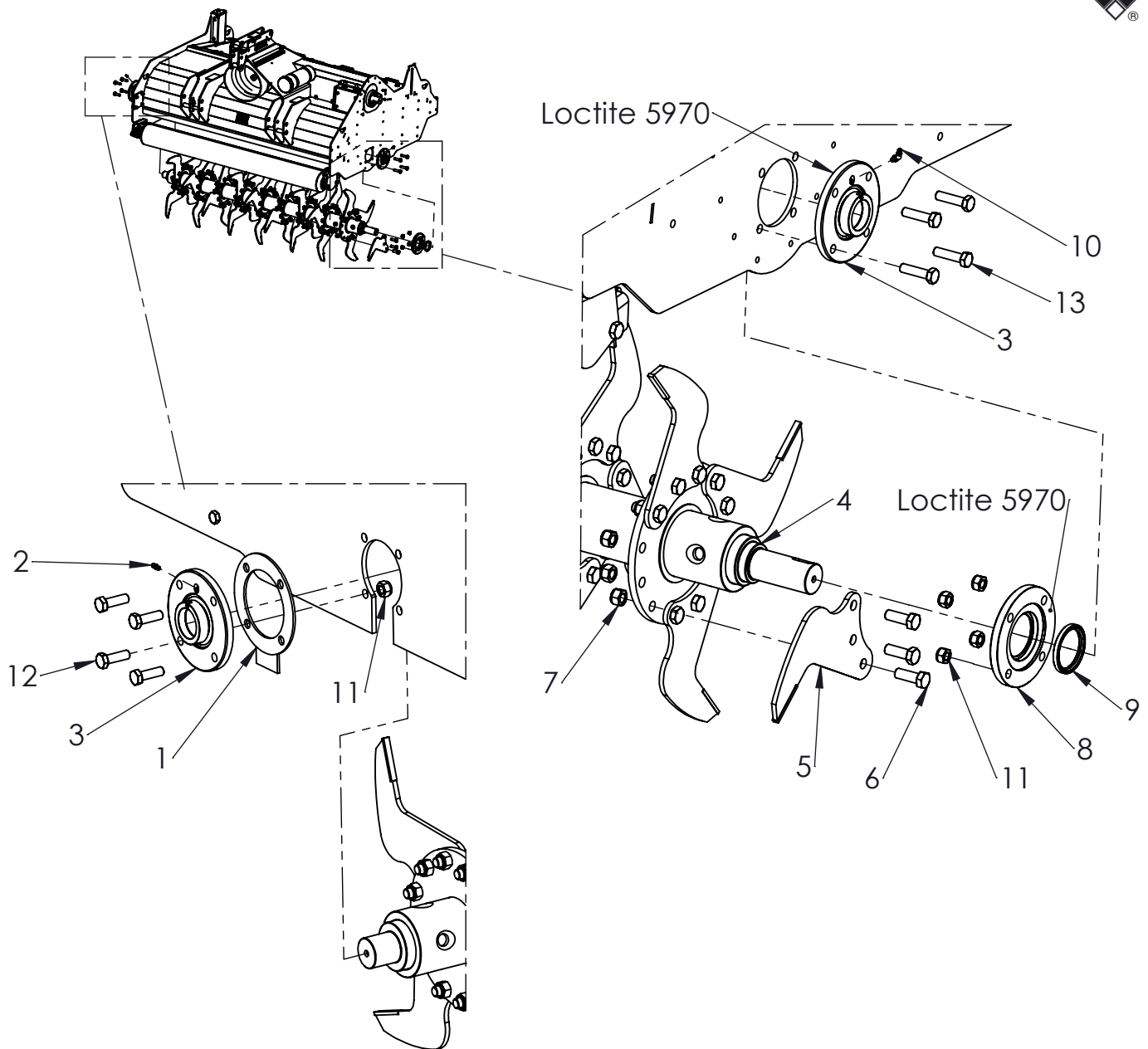


ITEM	PART NUMBER	DESCRIPTION	REMARKS	QUA
1	468.051.804	Support holder		4
2	474.201.320	Lock pin		4
3	460.506.100	Support leg		1
4	830.100.100	Self Lock Nut M10 - ISO 10511		4
5	474.010.140	Handle		4
6	804.120.400	Bolt M12 x 40 - ISO 4017		4
7	830.120.120	Self Lock Nut M12 - ISO 10511 Class 10		18
8	476.189.150	Barrier weldment		2
9	768.400.420	Round tube insert Ø42 1-3		1
10	804.120.300	Bolt M12 x 30 - ISO 4017		4
11	804.120.450	Bolt M12 x 45 - ISO 4017		8
12	864.120.030	Washer M12 - ISO 7089		8
13	616.351.502	Splined shaft 1.3/8 L150		1
14	868.350.160	Lock collar 35 x 56 x 16 mm		2
15	848.421.260	pipeclamp full Ø42.2		1
16	469.062.370	PTO support plate		1
17	469.062.520	PTO support plate		1
18	802.120.400	Bolt M12 x 40 ISO 4014		2
19	830.120.120	Self Lock Nut M12 - ISO 10511 Class 10		2

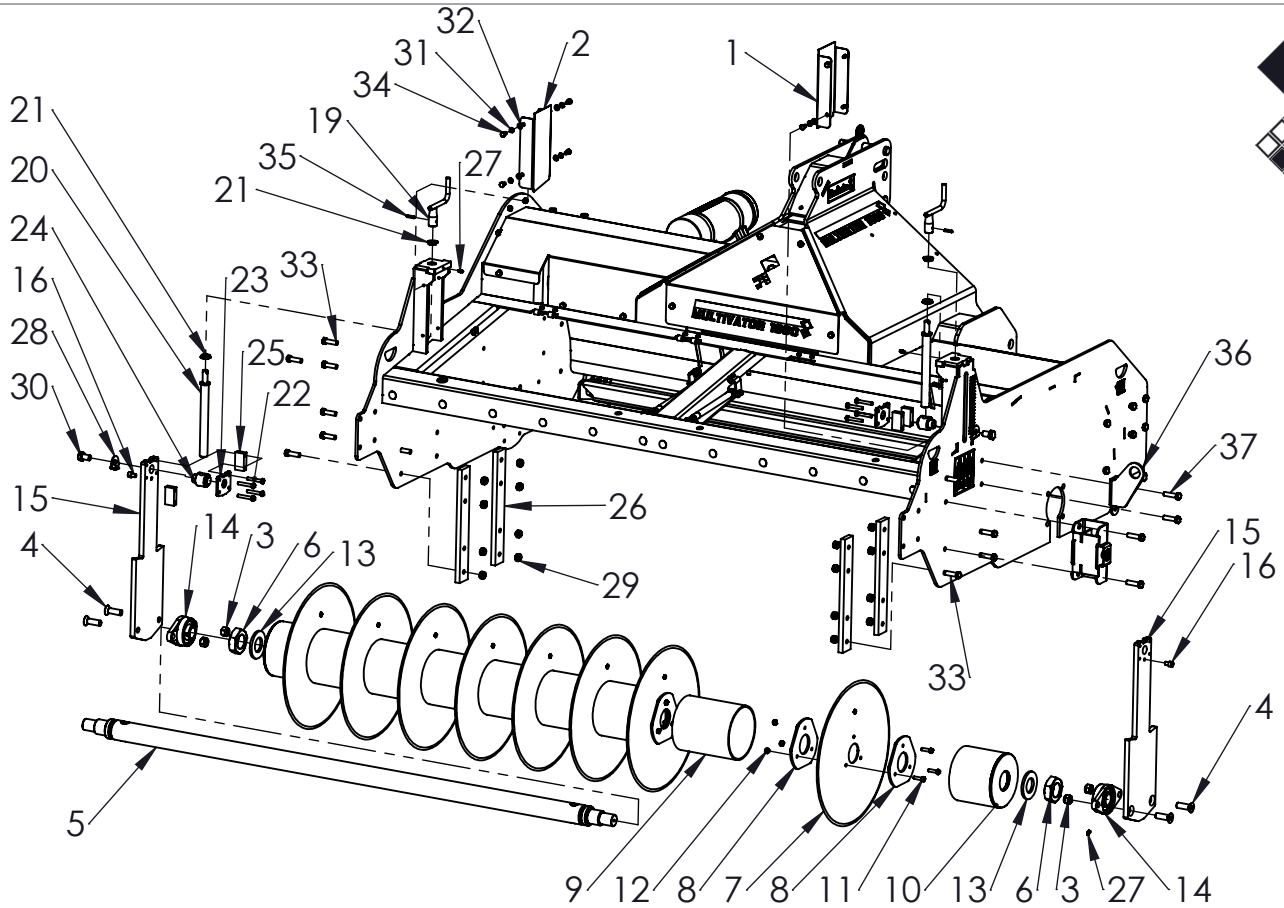


ITEM	PART NUMBER	DESCRIPTION	REMARKS	QUA
1	456.081.057	Rear cover		2
2	444.151.250	Handle		4
3	814.060.200	Bolt M6 x 20 - DIN 912		8
4	864.060.031	Large washer M6 - DIN 9021		8
5	830.060.060	Self Lock Nut M6 - ISO 10511		32
6	899.100.634	Hinge		4
7	804.060.200	Bolt M6 x 20 - ISO 4017		16
8	824.160.250	Bolt M16 x 25 - ISO 4017 Captive		4
9	864.160.030	Washer M16 - ISO 7089		4
10	892.160.010	Captive washer M16		4
11	464.030.632	Hinge distance plate		4
12	469.040.600	Support L=60mm		2
13	571.224.855	Gas strut stroke=180, F=150N		2
14	446.029.450	Rubber mudflap		2
15	464.049.450	Flat bar		2
16	826.080.080	Nut M8 - DIN 934		4
17	864.100.031	Large washer M10 - DIN 9021		12
18	830.080.080	Self Lock Nut M8 - ISO 10511		4
19	820.100.250	MH Bolt M10 x 25 ISO 8677		12
20	804.080.350	Bolt M8 x 35 - ISO 4017		4
21	804.060.150	Bolt M6 x 15 - ISO 4017		8
22	804.060.120	Bolt M6 x 12 - ISO 4017		4
23	830.100.100	Self Lock Nut M10 - ISO 10511		12

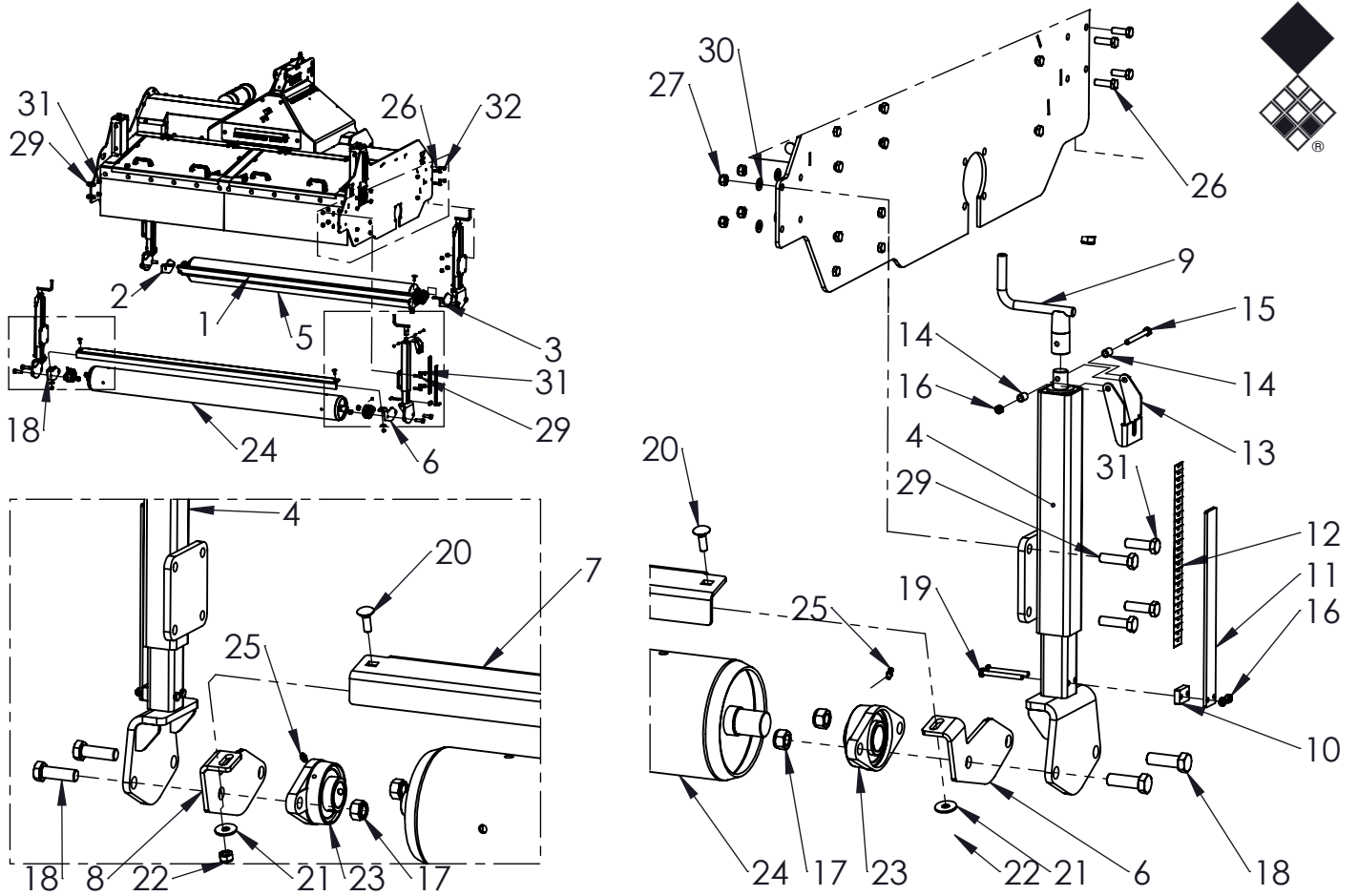




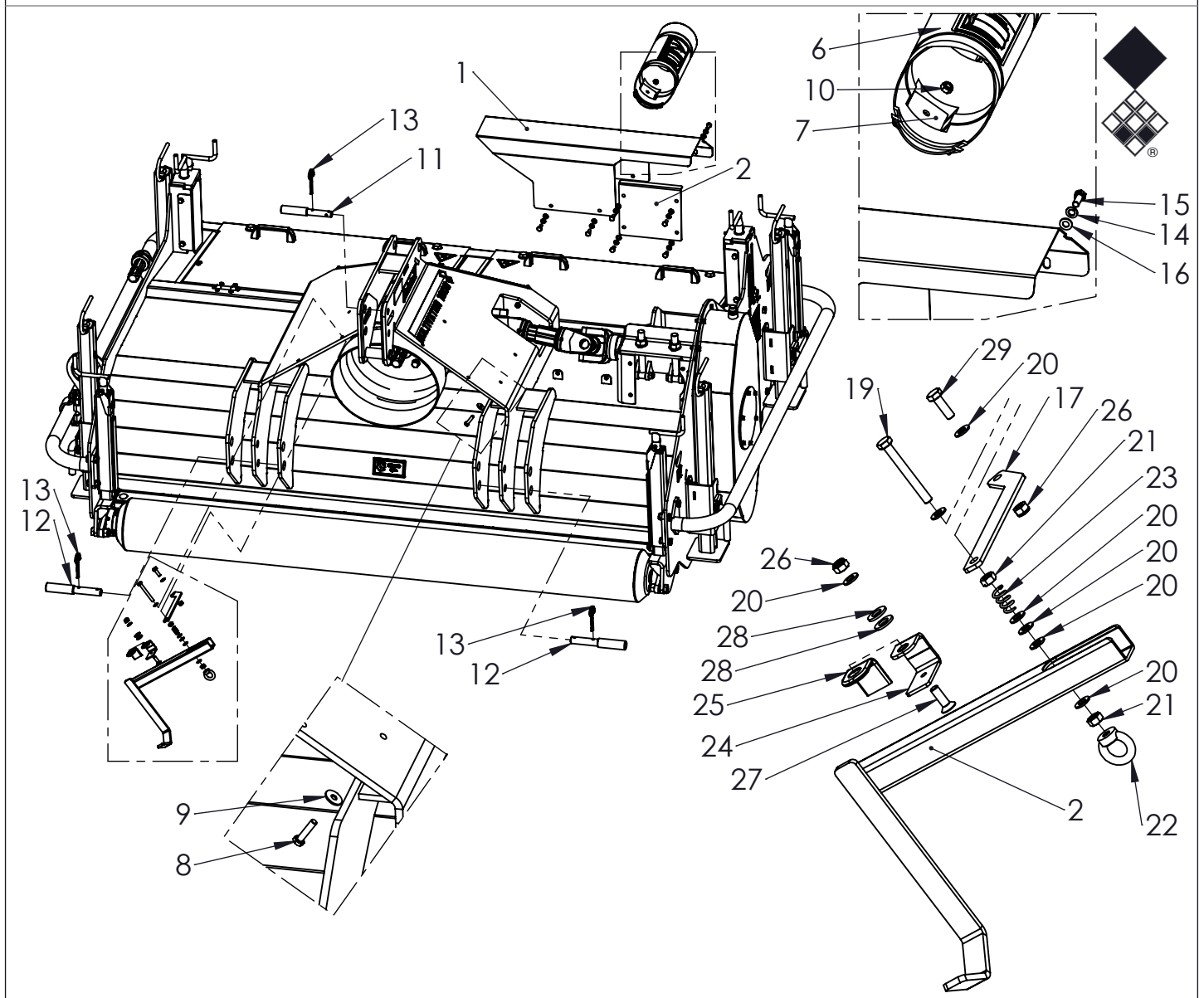
ITEM	PART NUMBER	DESCRIPTION	REMARKS	QUA
1	470.041.650	Seal plate		1
2	880.060.100	Grease nipple M6 DIN 71412A		1
3	744.500.440	Bearing PME50-N		2
4	488.220.205	Rotor machining		1
5	353.816.315	Blade with tip 10mm		36
6	804.160.452	Bolt M16 x 45 - ISO 4017 Class 10.9		108
7	830.160.160	Self Lock Nut M16-ISO 10511 Class 10		108
8	468.121.650	Sealflange		1
9	763.065.080	Oil Seal 65x80x8 with dust lip		1
10	880.060.104	Grease nipple M6 45deg. DIN 71412B		1
11	830.140.140	Self Lock Nut M14-ISO 10511 Class 10		8
12	804.140.450	Bolt M14 x 45 - ISO 4017		4
13	804.140.550	Bolt M14 x 55 - ISO 4017		4



ITEM	PART NUMBER	DESCRIPTION	REMARKS	QUA
1	456.025.012	Cover knife roler right		1
2	456.025.011	Cover knife roler left		1
3	830.160.160	Self Lock Nut M16-ISO 10511 Class 10		4
4	816.160.500	Bolt M16 x 50 - DIN 7991		4
5	478.069.190	Knife roller shaft		1
6	828.450.220	Low Nut M45 x 1.5 Fine - DIN 439		2
7	1007981	Disc Ø450 / 4mm		8
8	468.061.550	Spacer knife		16
9	478.168.196	Tube		7
10	478.168.154	End cap knife roler		2
11	804.080.300	Bolt M8 x 30 - ISO 4017		24
12	830.080.080	Self Lock Nut M8 - ISO 10511		24
13	864.460.070	Washer M45		2
14	742.350.450	Bearing UCFL 207		2
15	460.155.700	knife roller support		2
16	814.100.140	Bolt M10 x 14 - DIN 912		2
19	474.110.150	Spindle lever		2
20	426.240.270	Spindle knife roler		2
21	404.150.070	Spindle bush		4
22	802.080.500	Bolt M8 x 50 - ISO 4014		8
23	468.060.770	plate		2
24	4972870	Front roller spindle nut		2
25	468.150.550	spacer		4
26	464.153.600	Flat bar		4
27	880.060.100	Grease nipple M6 DIN 71412A		4
28	468.030.550	Indicator		2
29	830.120.120	Self Lock Nut M12 - ISO 10511 Class 10		16
30	804.160.250	Bolt M16 x 25 - ISO 4017		2
31	866.080.020	Spring Washer M8 - DIN 127		8
32	864.080.030	Washer M8 - ISO 7089		8
33	802.120.400	Bolt M12 x 40 ISO 4014		10
34	804.080.160	Bolt M8 x 16 - ISO 4017		8
35	878.060.260	Roll Pin 6 x 26 - ISO 8752		2
36	469.062.370	PTO support plate		1
37	804.120.450	Bolt M12 x 45 - ISO 4017		6

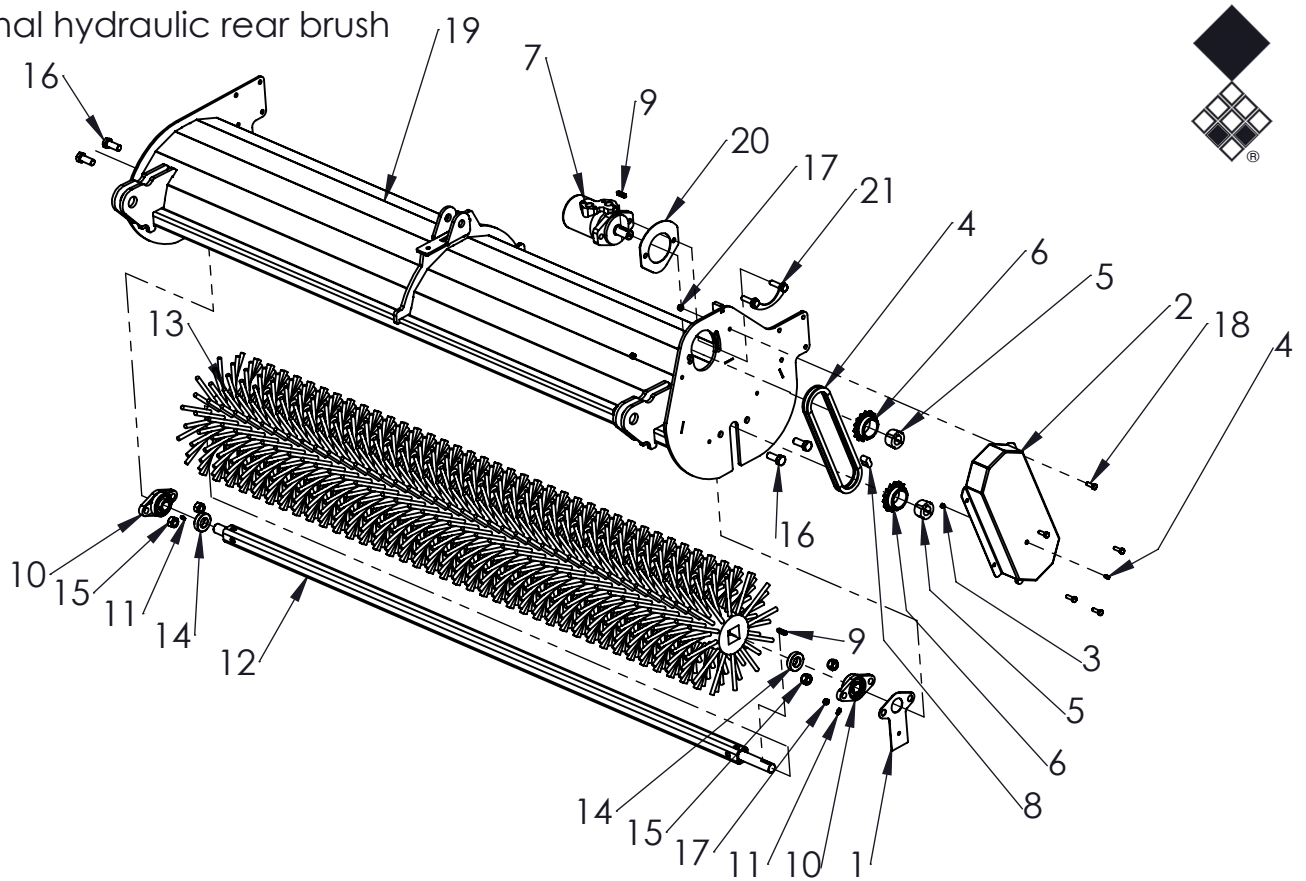


ITEM	PART NUMBER	DESCRIPTION	REMARKS	QUA
1	468.059.184	Scraper		1
2	468.061.852	Scraper support Left		1
3	468.061.854	Scraper support right		1
4	460.505.502	Front roller spindle		4
5	488.168.177	Roller Ø168.3 L=1746		1
6	468.061.952	Scraper support left		1
7	468.059.194	Scraper rear roller		1
8	468.061.956	Scraper support right		1
9	474.251.162	Lever Jack		4
10	464.080.300	Distance Block		4
11	464.042.800	Height indicator strip		4
12	900.260.414	Decal Ruler		4
13	468.031.180	Lock Plate		4
14	402.070.140	Distance Bush		8
15	802.060.650	Bolt M6 x 65 - ISO 4014		4
16	830.060.060	Self Lock Nut M6 - ISO 10511		8
17	830.160.160	Self Lock Nut M16-ISO 10511 Class 10		8
18	804.160.500	Bolt M16 x 50 - ISO 4017		8
19	802.060.600	Bolt M6 x 60 - ISO 4014		8
20	820.100.300	MH Bolt M10 x 30 ISO 8677		4
21	864.100.031	Large washer M10 - DIN 9021		4
22	830.100.100	Self Lock Nut M10 - ISO 10511		4
23	742.350.450	Bearing UCFL 207		4
24	488.168.195	Back roller multivator 1800		1
25	880.060.100	Grease nipple M6 DIN 71412A		4
26	804.120.400	Bolt M12 x 40 - ISO 4017		4
27	830.120.120	Self Lock Nut M12 - ISO 10511 Class 10		16
28	804.120.300	Bolt M12 x 30 - ISO 4017		4
29	804.120.450	Bolt M12 x 45 - ISO 4017		10
30	864.120.030	Washer M12 - ISO 7089		16
31	802.120.400	Bolt M12 x 40 ISO 4014		4
32	804.120.350	Bolt M12 x 35 - ISO 4017		4
33	830.100.100	Self Lock Nut M10 - ISO 10511		2



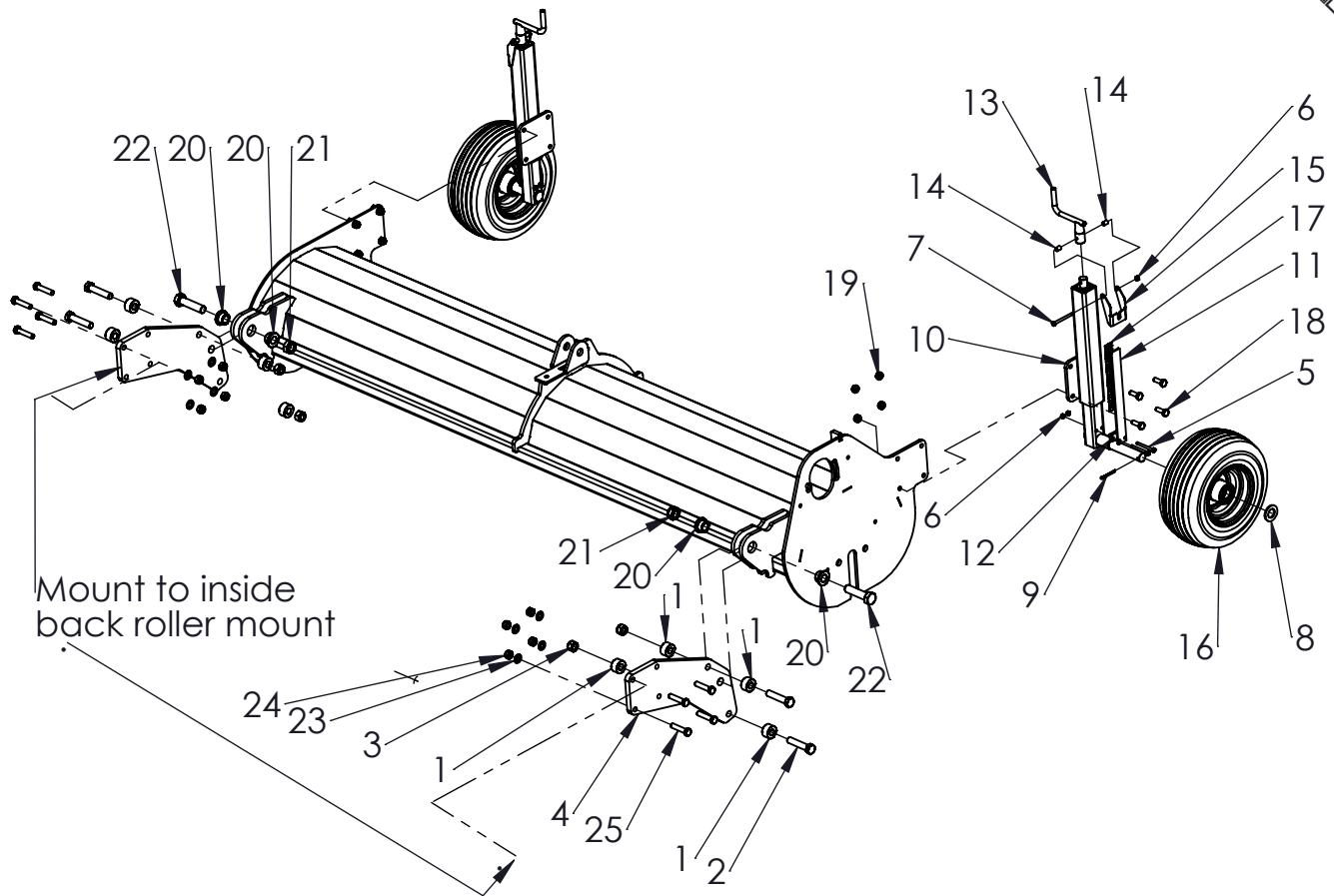
ITEM	PART NUMBER	REMARKS	DESCRIPTION	QUA
1	456.072.028		Drive cover	1
2	456.018.002		Tensioner cover	1
3	444.803.100		Toolbox Complete	1
4	468.030.530		Toolbox contraplate	2
5	804.080.350		Bolt M8 x 35 - ISO 4017	1
6	864.080.024		Large washer M8 - DIN 9021	1
7	830.080.080		Self Lock Nut M8 - ISO 10511	2
8	521.191.600		Top link pin OS	1
9	521.221.600		3-point pin	2
10	523.051.000		R-clip Round 5, DIN 11024	3
11	866.080.020		Spring Washer M8 - DIN 127	9
12	804.080.200		Bolt M8 x 20 - ISO 4017	9
13	864.080.030		Washer M8 - ISO 7089	9
14	468.042.102		Plate	1
15	462.243.328		PTO support	1
16	804.080.700		Bolt M8 x 70 - ISO 4017	1
17	864.080.030		Washer M8 - ISO 7089	7
18	826.080.080		Nut M8 - DIN 934	2
19	822.080.360		Lifting Eye Nut M8 - DIN 582	1
20	576.020.250		Compression spring	1
21	468.030.480		Plate	1
22	446.300.702		Plate	1
23	830.080.080		Self Lock Nut M8 - ISO 10511	2
24	816.080.250		Bolt M8x25 DIN 7991	1
25	864.100.030		Washer M10 - ISO 7089	2
26	804.080.250		Bolt M8 x 25 - ISO 4017	1

Optional hydraulic rear brush



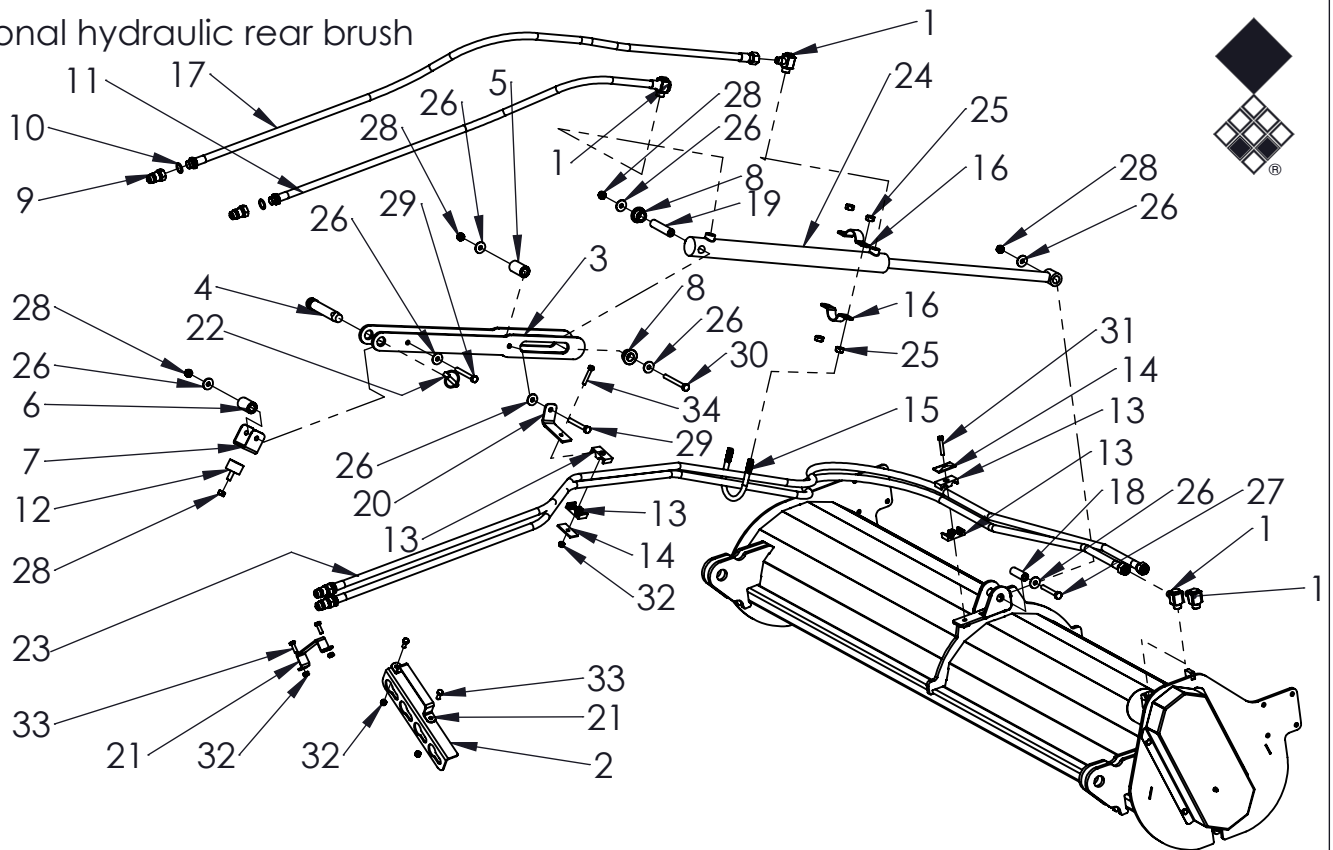
ITEM	PART NUMBER	DESCRIPTION	REMARKS	QUA
1	468.021.614	Cover plate		1
2	456.046.021	Chain cover		1
3	804.060.060	Bolt M6 x 6 - ISO 4017		1
4	631.028.000	Chain 5/8" L=800		1
5	648.251.210	Taperlock 1210 - 25mm		2
6	635.020.832	Sprocket Taperlock Simplex 5/8" x 3/8". Z=15		2
7	532.251.600	Hydraulic motor OMP 250		1
8	638.020.020	Chain connector 5_8 inch 10B Simplex		1
9	884.080.320	Key 8x7x32 - DIN 6885		2
10	742.250.360	Bearing UCFL 205		2
11	880.060.100	Grease nipple M6 DIN 71412A		2
12	474.409.200	Brush shaft		1
13	486.341.924	Brush		1
14	406.260.130	Ring		2
15	830.160.160	Self Lock Nut M16-ISO 10511 Class 10		4
16	804.160.400	Bolt M16 x 40 - ISO 4017		4
17	830.080.080	Self Lock Nut M8 - ISO 10511		5
18	804.080.250	Bolt M8 x 25 - ISO 4017		5
19	494.204.064	Frame rear brush		1
20	468.021.458	Small motor cover		1
21	470.031.060	bolt plate		1
	215.180.002	Hydraulic rear brush	Complete kit	

Optional hydraulic rear brush



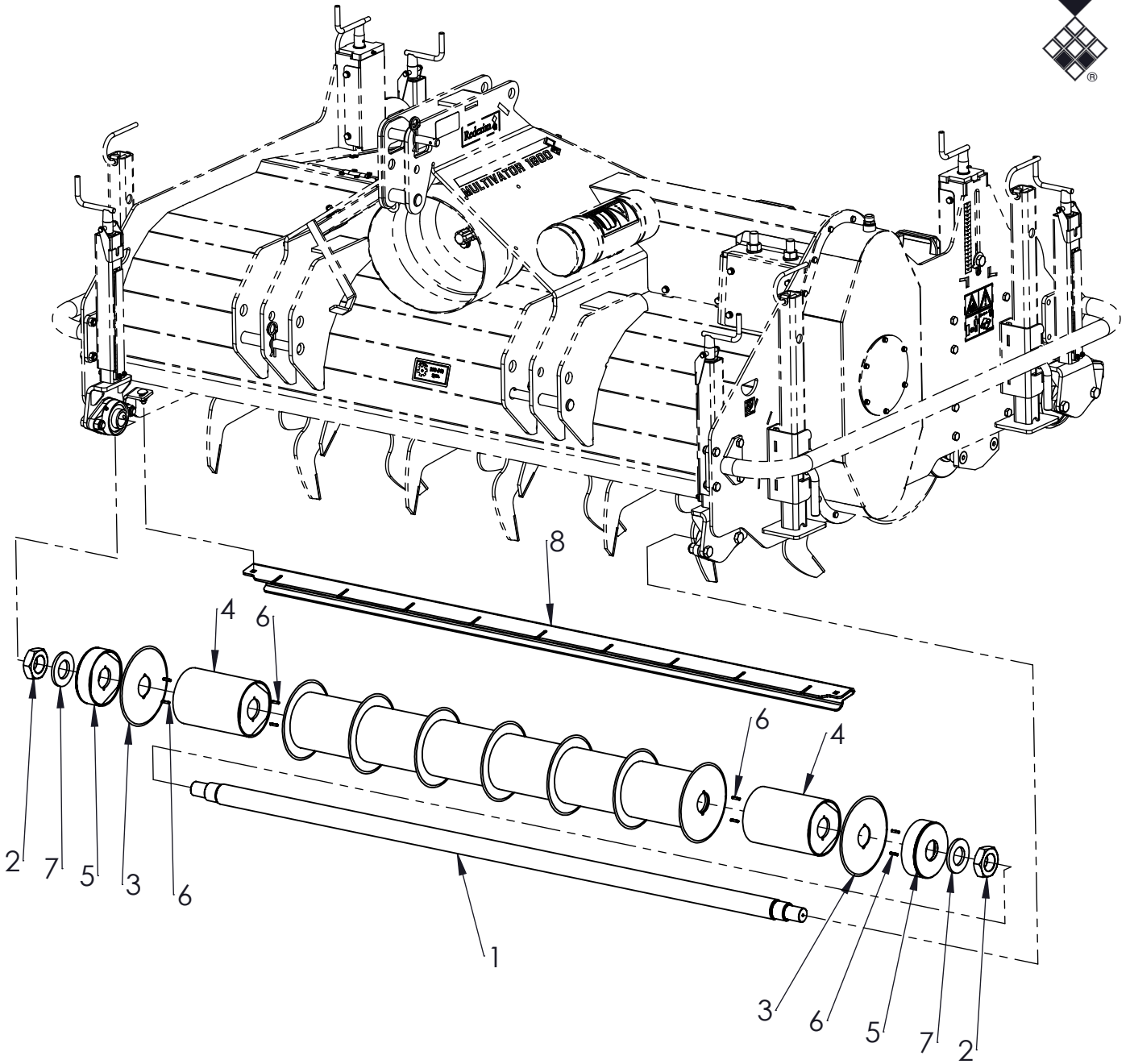
ITEM	PART NUMBER	DESCRIPTION	REMARKS	QUA
1	402.160.204	Bush Ø16.2-35 L20		8
2	802.160.750	Bolt M16 x 75 - ISO 4014		4
3	830.160.160	Self Lock Nut M16-ISO 10511 Class 10		4
4	468.153.820	Plate brush mount		2
5	802.060.600	Bolt M6 x 60 - ISO 4014		4
6	830.060.060	Self Lock Nut M6 - ISO 10511		6
7	802.060.650	Bolt M6 x 65 - ISO 4014		2
8	864.240.044	Washer M24 - ISO 7089		2
9	882.050.400	Cotter Pin 5 x 40 - DIN 94		2
10	460.504.382	Weldment Jack		2
11	464.042.800	Height indicator strip		2
12	464.080.300	Distance Block		2
13	474.251.162	Lever Jack		2
14	402.070.140	Distance Bush		4
15	468.031.180	Lock Plate		2
16	511.325.135	Wheel AGRI 31 - 13x5.00-6		2
17	900.260.414	Decal Ruler		2
18	804.100.300	Bolt M10 x 30 - ISO 4017		8
19	830.100.100	Self Lock Nut M10 - ISO 10511		8
20	404.200.190	Bush Ø20.5-40-30 L19-14		4
21	830.200.200	Self Lock Nut M20 Din 985 h=17		2
22	802.200.800	Bolt M20 x 80 - ISO 4014		2
23	864.120.030	Washer M12 - ISO 7089		8
24	830.120.120	Self Lock Nut M12 - ISO 10511 Class 10		8
25	802.120.550	Bolt M12 x 55 - ISO 4014 - 10.9		8

Optional hydraulic rear brush



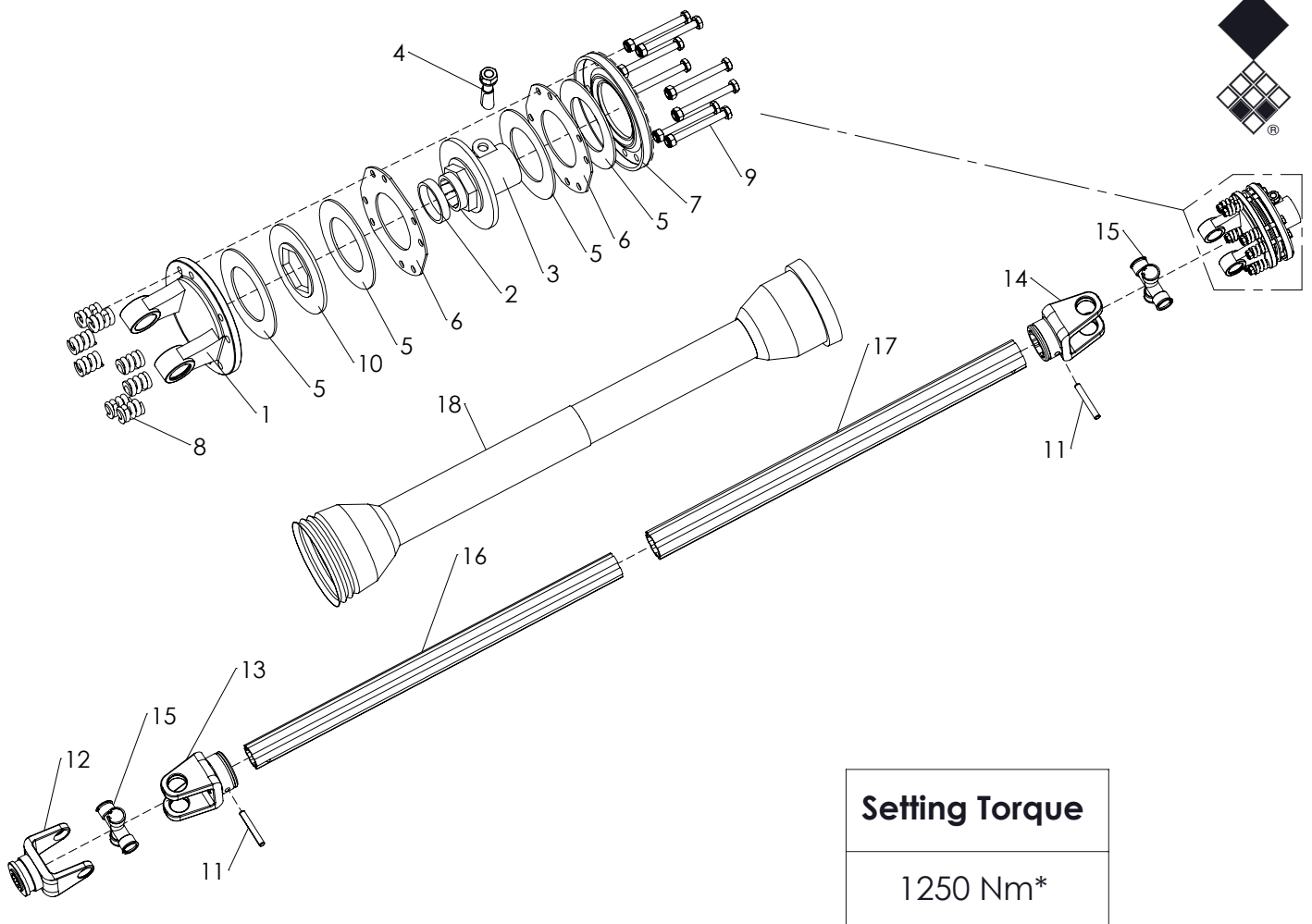
ITEM	PART NUMBER	DESCRIPTION	REMARKS	QUA
1	544.212.150	L-connector BSP1/2x15L		4
2	468.033.502	Connector rack		1
3	468.086.760	Pull bar rear brush		2
4	521.251.052	Pin Cat. 2 - 25,4 x 105		1
5	402.170.540	Bush		1
6	402.170.480	Bush		1
7	468.030.570	Bracket		1
8	404.200.190	Bush Ø20.5-40-30 L19-14		2
9	545.210.800	Quick connector male 1/2"		4
10	874.210.020	Copper washer 1_2		4
11	541.172.315	Hose NSK10-3/8" TL=2315 PGLO1022 + PN108		1
12	572.400.250	Vibration damper		1
13	547.180.180	Hose clamp double 18mm		4
14	547.300.510	Cover plate hose clamp 2x15 - 2x18		2
15	848.121.270	U clamp		1
16	468.031.254	Bracket		2
17	541.172.825	Hose NSK10-3/8" TL=2825 PGLO1022 + PN108		1
18	402.110.580	Bush		1
19	402.110.880	Bush		1
20	468.040.882	Bracket hydraulics		1
21	468.032.040	Hose guide		2
22	523.100.570	Linch Pin d10		1
23	541.174.475	Hose NSK10-3/8" TL=4475 PGLO1022 + PN108		2
24	534.250.670	Hydraulic cylinder		1
25	826.120.120	Nut M12 - DIN 934		4
26	864.100.031	Large washer M10 - DIN 9021		8
27	802.100.750	Bolt M10 x 75 - ISO 4014		1
28	830.100.100	Self Lock Nut M10 - ISO 10511		5
29	802.100.850	Bolt M10 x 85 - ISO 4014		2
30	802.101.000	Bolt M10 x 100 - ISO 4014		1
31	802.080.450	Bolt M8 x 45 - ISO 4014		1
32	830.080.080	Self Lock Nut M8 - ISO 10511		5
33	804.080.250	Bolt M8 x 25 - ISO 4017		4
34	802.080.500	Bolt M8 x 50 - ISO 4014		1

Optional front knife roller



ITEM	PART NUMBER	DESCRIPTION	REMARKS	QUA
1	416.059.180	front cutter axle		1
2	828.450.220	Low Nut M45 x 1.5 Fine - DIN 439		2
3	1 005137R	Disc Ø200 / 3mm		9
4	478.139.197	Spacer front knife roler		8
5	478.139.042	End cap front knife roler		2
6	878.050.220	Roll Pin 5 x 22 - ISO 8752		18
7	864.460.070	Washer M45		2
8	468.059.186	Scraper front knife roler		1
	215.180.004	Front knife roller	Complete kit	





**Setting Torque**  
1250 Nm\*

ITEM	PART NUMBER	DESCRIPTION	REMARKS	QUA
1	BEN F1B08	Flange yoke		1
2	BEN F060	Bush		1
3	BEN F334	Hub		1
4	BEN 90934	Conic bolt and nut		1
5	BEN F030/S	Lining ring		4
6	BEN F070	Inner plate		2
7	BEN F1180	Pressure plate		1
8	BEN F0111	Spring		8
9	BEN F10100	Bolt and nut		8
10	BEN F080	Drive plate with hexagon		1
11	190000243	Outer roll pin		2
12	BEN PT140150	End yoke with quick lock		1
13	BEN PT140518	Inner tube yoke		1
14	BEN PT147350	Outer tube yoke		1
15	BEN PT155479	Universal joint assembled		2
16	BEN PT155954	Inner tube	Cut to correct length	1
17	BEN PT155956	Outer tube	Cut to correct length	1
18	BEN PT156265	Safety guard group	Cut to correct length	1
	611.816.102	PTO shaft type V-80 tl 610 1250Nm		