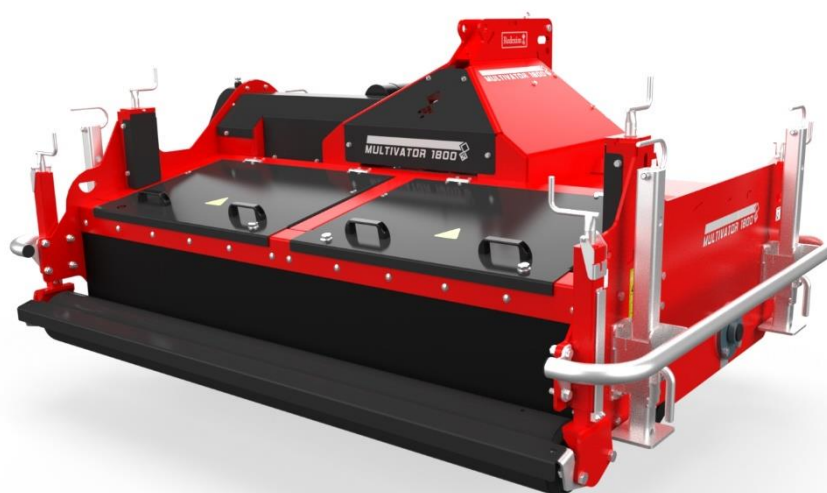


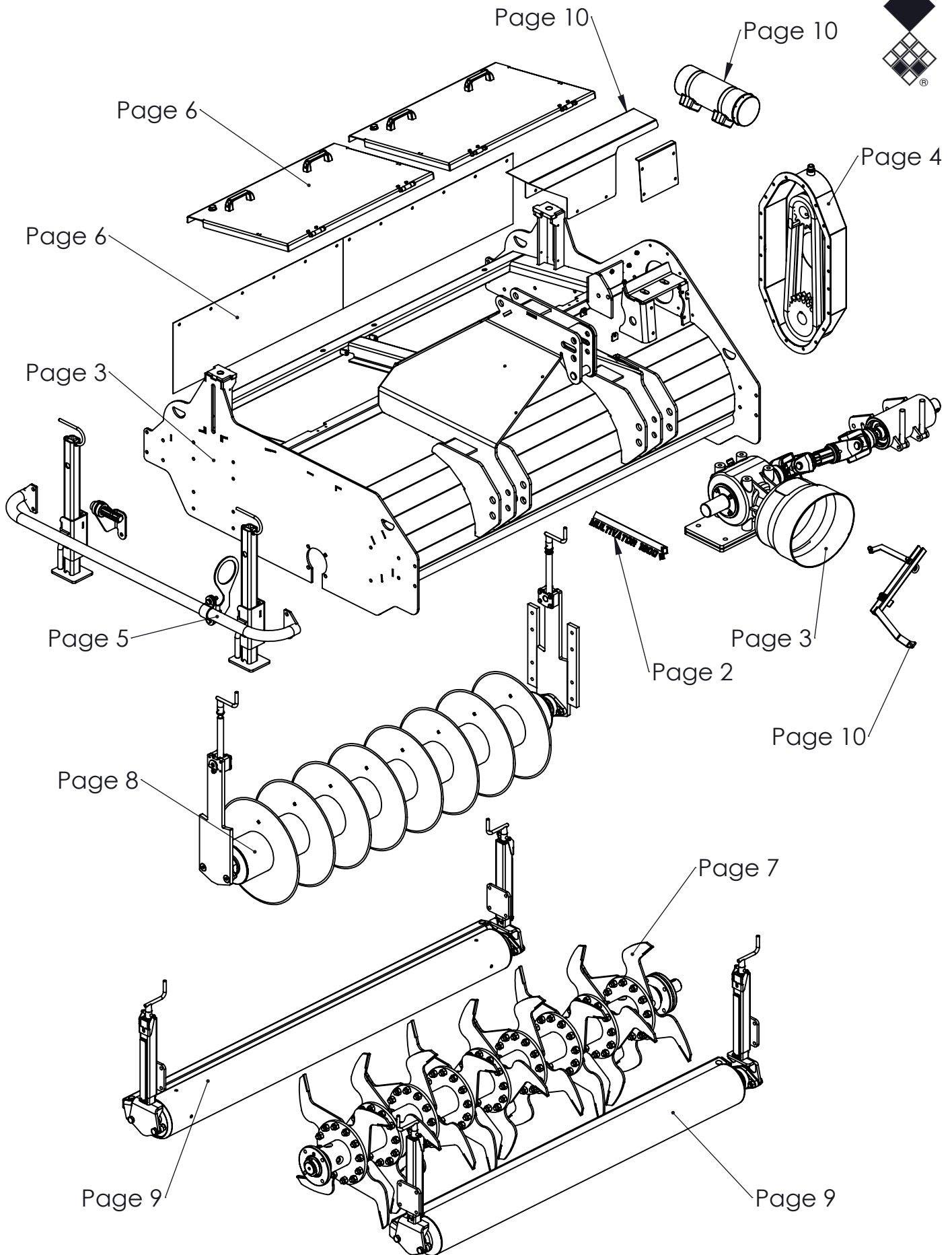
MULTIVATOR 1800

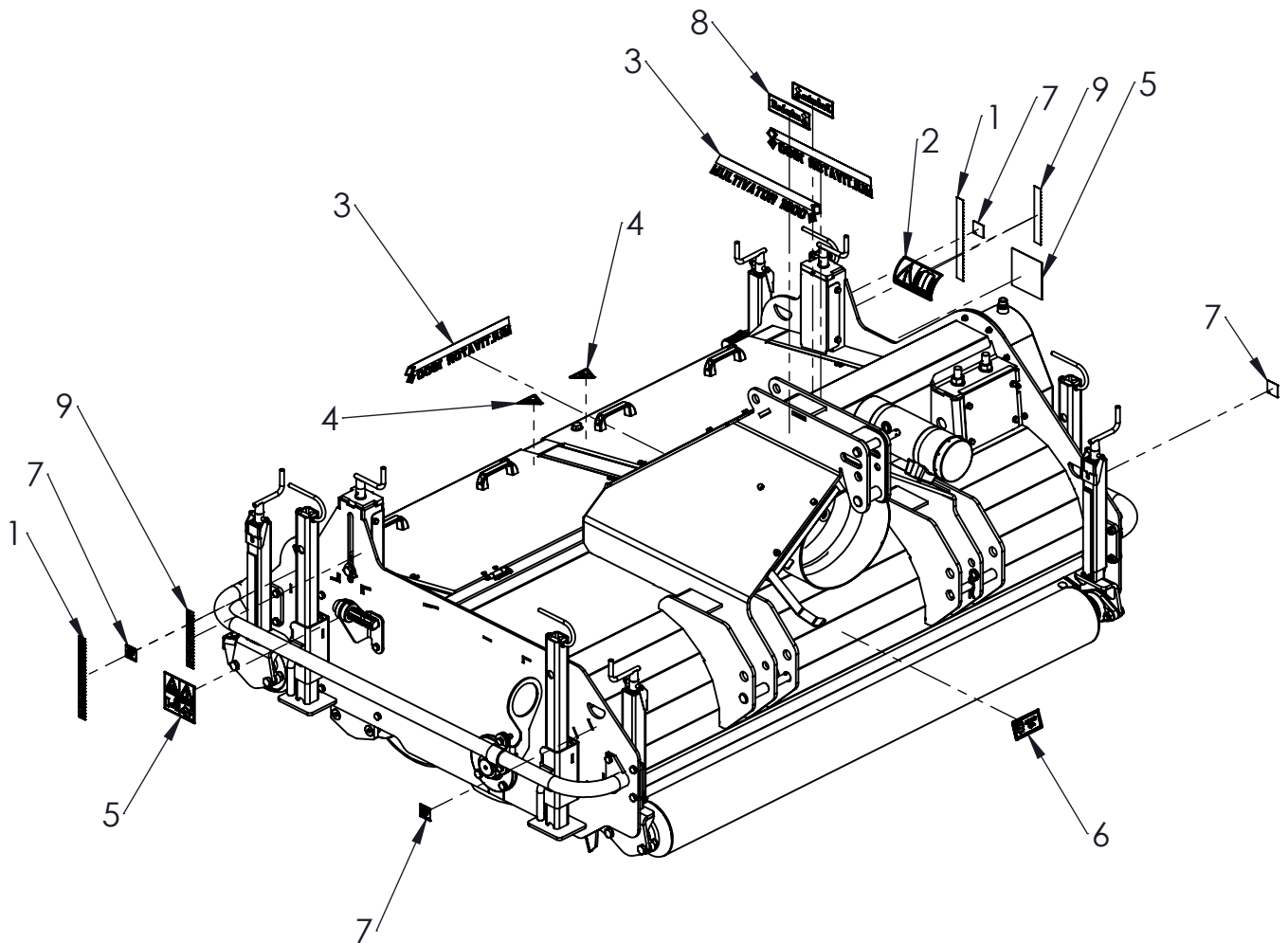


Version: 2431

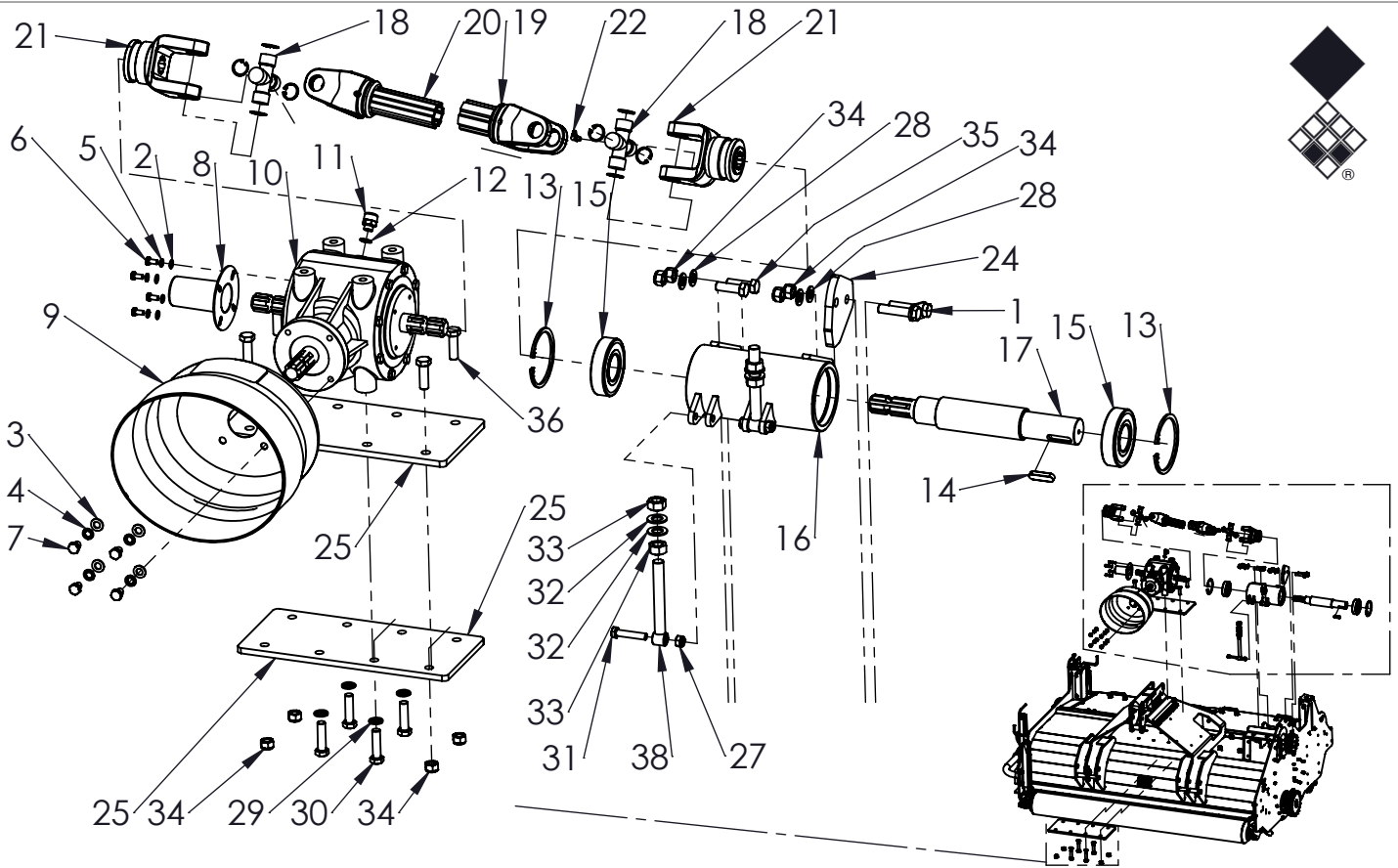


Kwekerijweg 8 | 3709JA | Zeist | The Netherlands |
T: +31 (0)306 933 227
E: redexim@redexim.com
W: www.redexim.com

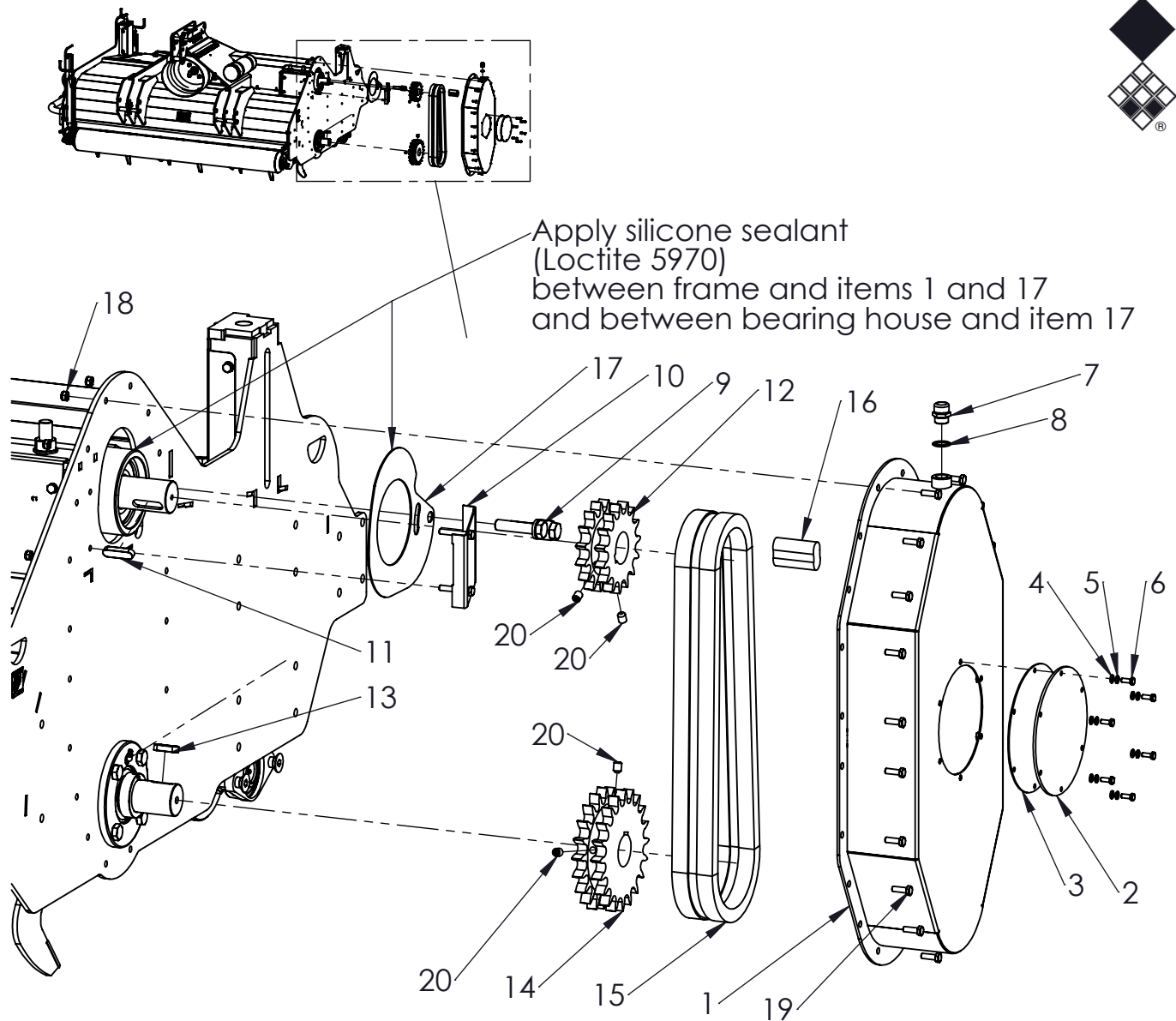




ITEM	PART NUMBER	DESCRIPTION	REMARKS	QUA
1	900.260.414	Decal Ruler		2
2	900.280.402	Safety decall manual		1
3	915.260.302	Label MULTIVATOR 1800		3
4	900.280.404	Decal cut off fingers		2
5	921.280.402	Safety decall VS		2
6	900.260.422	Decal PTO 350 540		1
7	922.340.008	Decall fixation point		4
8	900.260.401	Logo Label		2
9	900.260.414	Decal Ruler		2

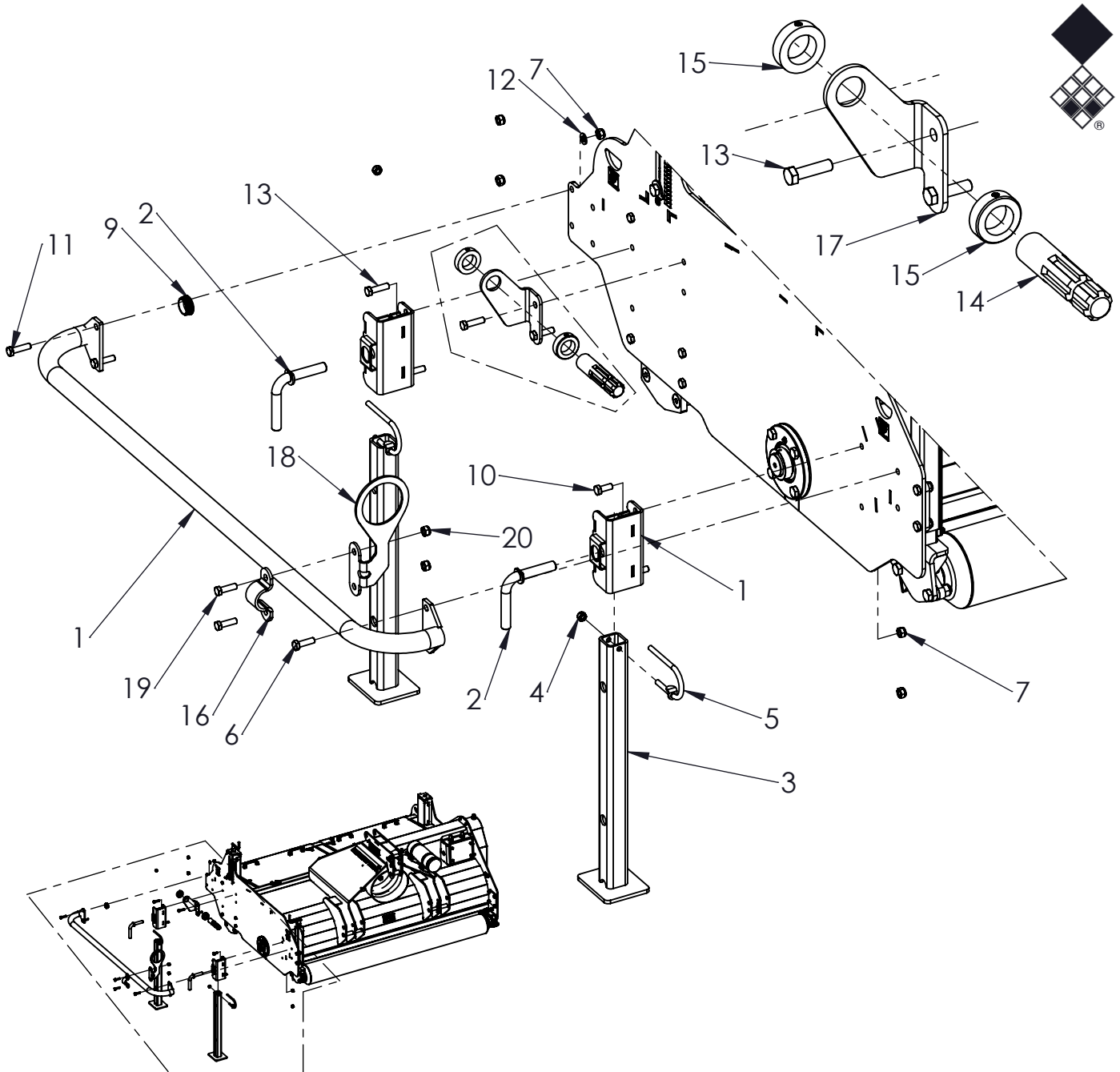


ITEM	PART NUMBER	DESCRIPTION	REMARKS	QUA
1	470.040.850	Bolt plate		1
2	864.080.030	Washer M8 - ISO 7089		4
3	864.120.030	Washer M12 - ISO 7089		4
4	866.120.020	Spring Washer M12 - DIN 127		4
5	866.080.020	Spring Washer M8 - DIN 127		4
6	804.080.160	Bolt M8 x 16 - ISO 4017		4
7	804.120.160	Bolt M12 x 16 - ISO 4017		4
8	629.123.108	Cover PTO Shaft		1
9	629.300.350	PTO Cover 4xØ13 PD120		1
10	622.225.319	Gearbox Commer T-290A 1:1		1
11	537.380.360	Breather 3/8" BSP		1
12	874.170.020	Copper washer 3_8		1
13	872.110.400	Circlip D=110 - DIN 472		2
14	884.140.500	Key 14x9x50 DIN 6885		1
15	713.500.270	Bearing 6310-2RS		2
16	478.133.265	Bearing house drive shaft		1
17	420.604.230	Drive shaft		1
18	180016004	Cross and 4x circlip kit		2
19	151016388	Outer tube yoke type V-60		1
20	153260101	V60-series Inner tube L=175		1
21	141026544	Complete collar yoke type 60		2
22	880.060.102	Grease nipple M6 90deg		2
23	474.241.730	Eye bolt spanner		2
24	468.151.350	Spacer		1
25	468.124.600	Gearbox plate		2
26	444.803.100	Toolbox Complete		1
27	830.120.120	Self Lock Nut M12 - ISO 10511 Class 10		2
28	864.160.030	Washer M16 - ISO 7089		4
29	866.160.020	Spring Washer M16 - DIN 127		4
30	804.160.600	Bolt M16 x 60 - ISO 4017		4
31	802.120.600	Bolt M12 x 60 - ISO 4014		2
32	864.200.030	Washer M20 - ISO 7089		4
33	826.200.200	Nut M20 - DIN 934		4
34	830.160.160	Self Lock Nut M16-ISO 10511 Class 10		8
35	804.160.500	Bolt M16 x 50 - ISO 4017		2
36	802.160.500	Bolt M16 x 50 - ISO 4014		4

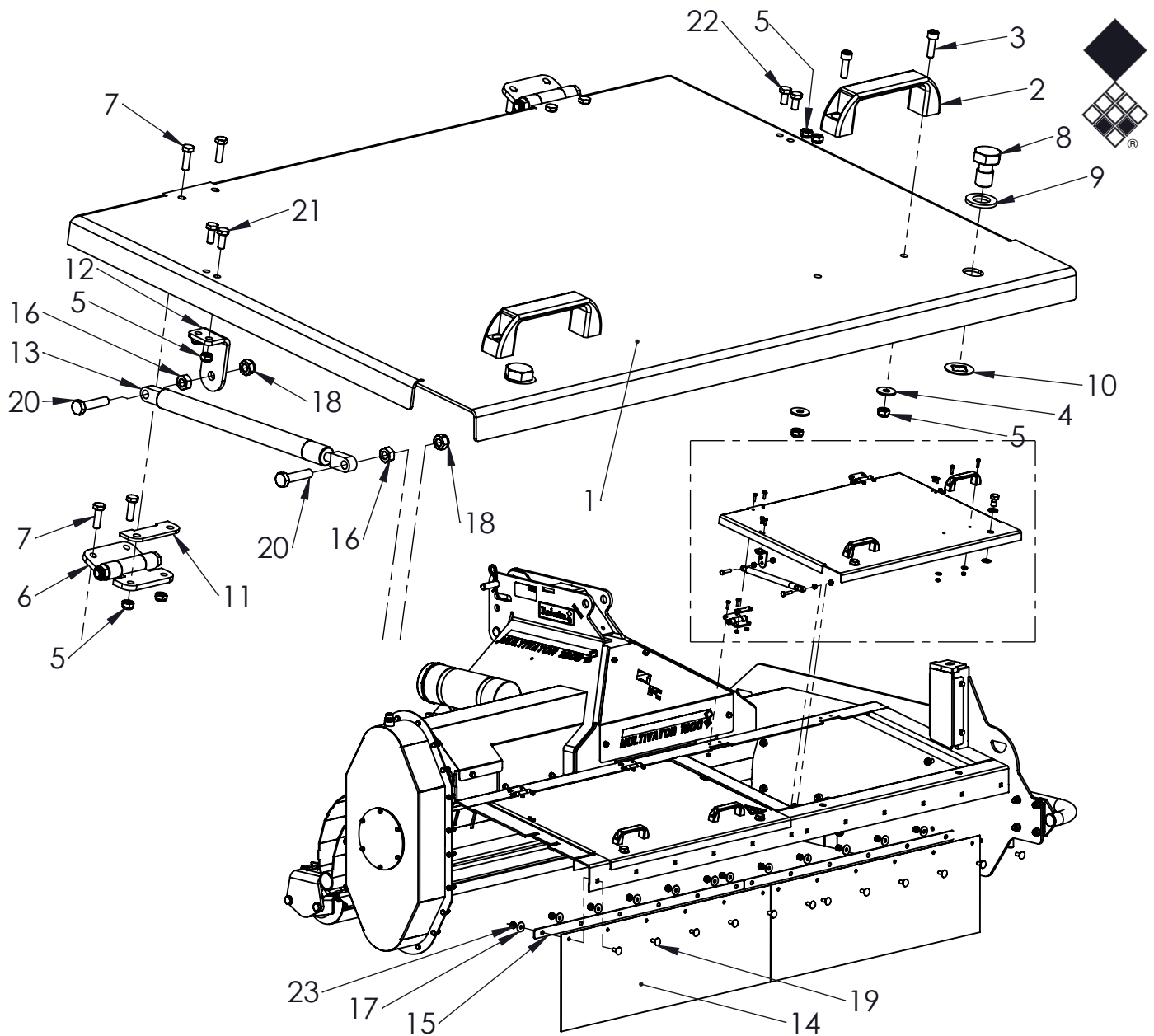


Apply silicone sealant (Loctite 5970) between frame and items 1 and 17 and between bearing house and item 17

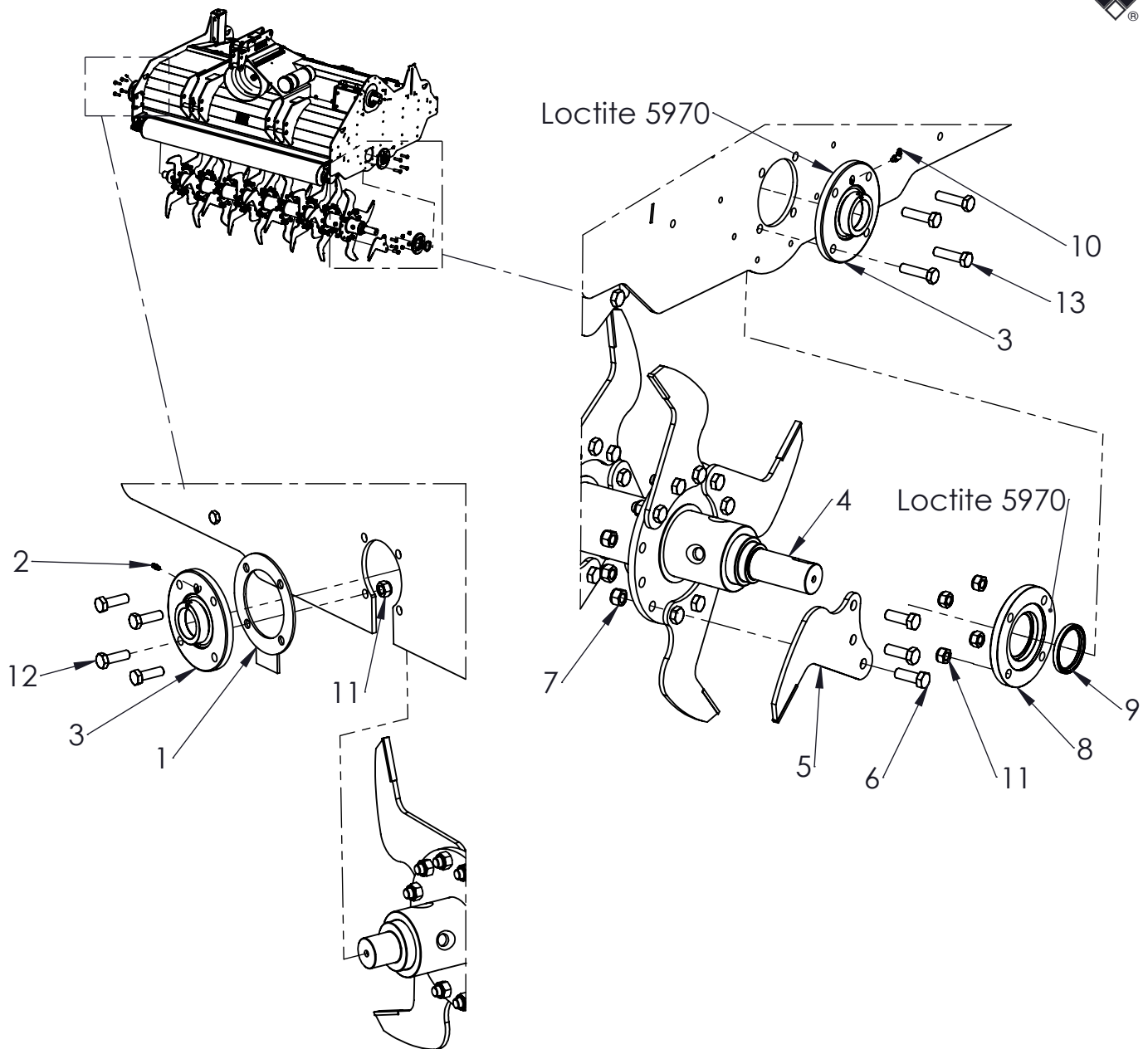
ITEM	PART NUMBER	DESCRIPTION	REMARKS	QUA
1	456.080.039	Side cover		1
2	468.042.000	Plate		1
3	446.022.000	Rubber seal		1
4	864.060.030	Washer M6 - ISO 7089		6
5	866.060.020	Spring Washer M6 - DIN 127		6
6	804.060.160	Bolt M6 x 16 - ISO 4017		6
7	537.120.300	Breather 1/2"		1
8	874.210.020	Copper washer 1_2		1
9	470.040.850	Bolt plate		1
10	470.040.150	Contraplate		1
11	884.140.500	Key 14x9x50 DIN 6885		1
12	636.041.339	Sprocket 1" x 15T		1
13	884.140.400	Key 14x9x40 DIN 6885		1
14	636.041.732	Sprocket 1" - 20T		1
15	632.041.430	Duplex Chain 1" L=1422 28 shackles		1
16	638.040.252	Chain connector 1" 16B Duplex		1
17	456.025.023	Shield		1
18	830.080.080	Self Lock Nut M8 - ISO 10511		20
19	804.080.250	Bolt M8 x 25 - ISO 4017		20
20	818.120.160	Set screw M12 x 16 - DIN 916		4



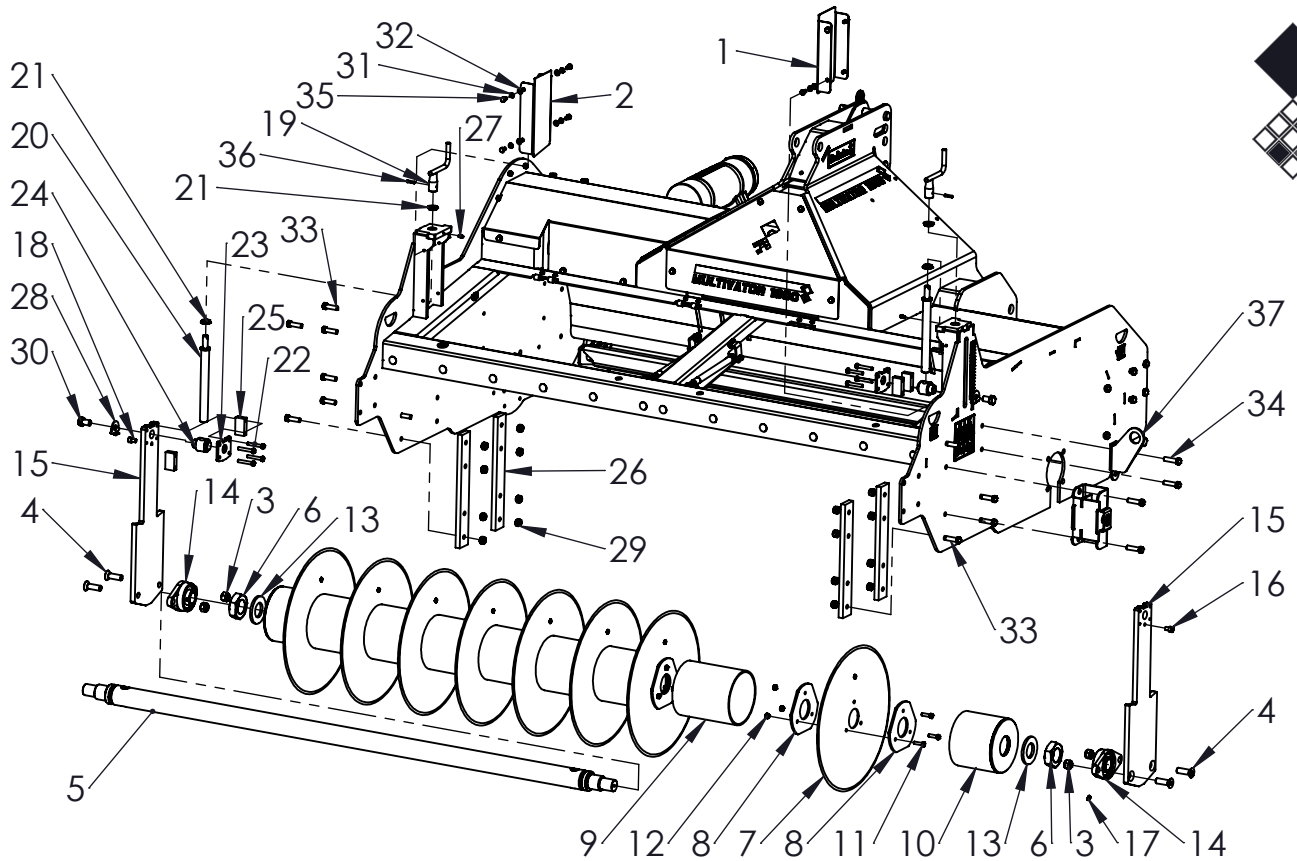
ITEM	PART NUMBER	DESCRIPTION	REMARKS	QUA
1	468.051.804	Support holder		4
2	474.201.320	Lock pin		4
3	460.506.100	Support leg		1
4	830.100.100	Self Lock Nut M10 - ISO 10511		4
5	474.010.140	Handle		4
6	804.120.400	Bolt M12 x 40 - ISO 4017		4
7	830.120.120	Self Lock Nut M12 - ISO 10511 Class 10		18
8	476.189.150	Barrier weldment		2
9	768.400.420	Round tube insert Ø42 1-3		1
10	804.120.300	Bolt M12 x 30 - ISO 4017		4
11	802.120.452	Bolt M12 x 45 ISO 4014 Class 12.9		8
12	864.120.030	Washer M12 - ISO 7089		8
13	802.120.450	Bolt M12 x 45 ISO 4014 Class 10.9		4
14	616.351.502	Splined shaft 1.3/8 L150		1
15	868.350.160	Lock collar 35 x 56 x 16 mm		2
16	848.421.260	pipeclamp full Ø42.2		1
17	469.062.370	PTO support plate		1
18	469.062.520	PTO support plate		1
19	802.120.400	Bolt M12 x 40 ISO 4014		2
20	830.120.120	Self Lock Nut M12 - ISO 10511 Class 10		2



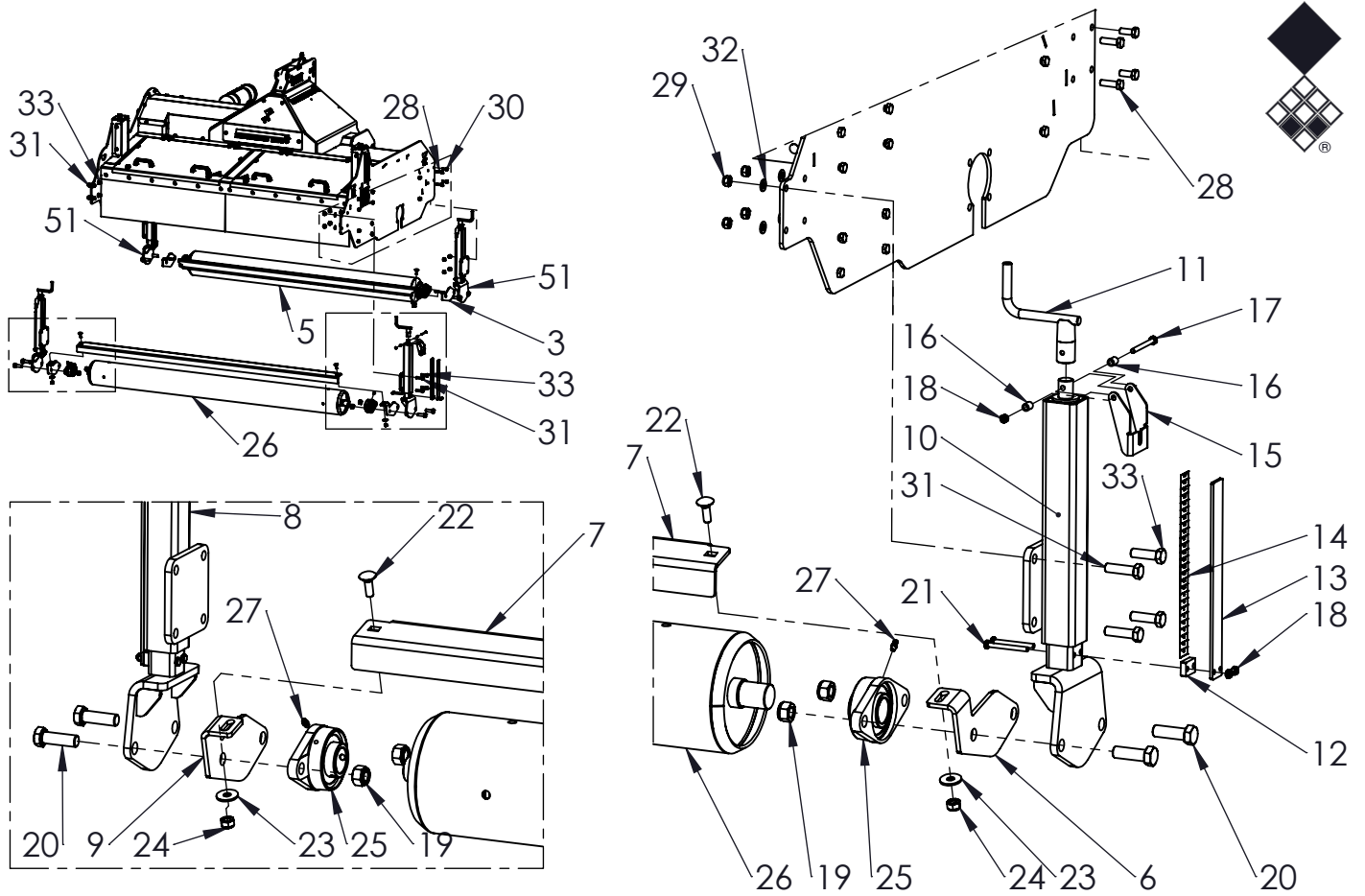
ITEM	PART NUMBER	DESCRIPTION	REMARKS	QUA
1	456.081.057	Rear cover		2
2	444.151.250	Handle		4
3	814.060.200	Bolt M6 x 20 - DIN 912		8
4	864.060.031	Large washer M6 - DIN 9021		8
5	830.060.060	Self Lock Nut M6 - ISO 10511		32
6	899.100.634	Hinge		4
7	804.060.200	Bolt M6 x 20 - ISO 4017		16
8	824.160.250	Bolt M16 x 25 - ISO 4017 Captive		4
9	864.160.030	Washer M16 - ISO 7089		4
10	892.160.010	Captive washer M16		4
11	464.030.632	Hinge distance plate		4
12	820.100.300	MH Bolt M10 x 30 ISO 8677		2
13	820.100.300	MH Bolt M10 x 30 ISO 8677		2
14	446.029.450	Rubber mudflap		2
15	464.049.450	Flat bar		2
16	826.080.080	Nut M8 - DIN 934		4
17	864.100.031	Large washer M10 - DIN 9021		12
18	830.080.080	Self Lock Nut M8 - ISO 10511		4
19	820.100.250	MH Bolt M10 x 25 ISO 8677		12
20	804.080.350	Bolt M8 x 35 - ISO 4017		4
21	804.060.150	Bolt M6 x 15 - ISO 4017		8
22	804.060.120	Bolt M6 x 12 - ISO 4017		4
23	830.100.100	Self Lock Nut M10 - ISO 10511		12



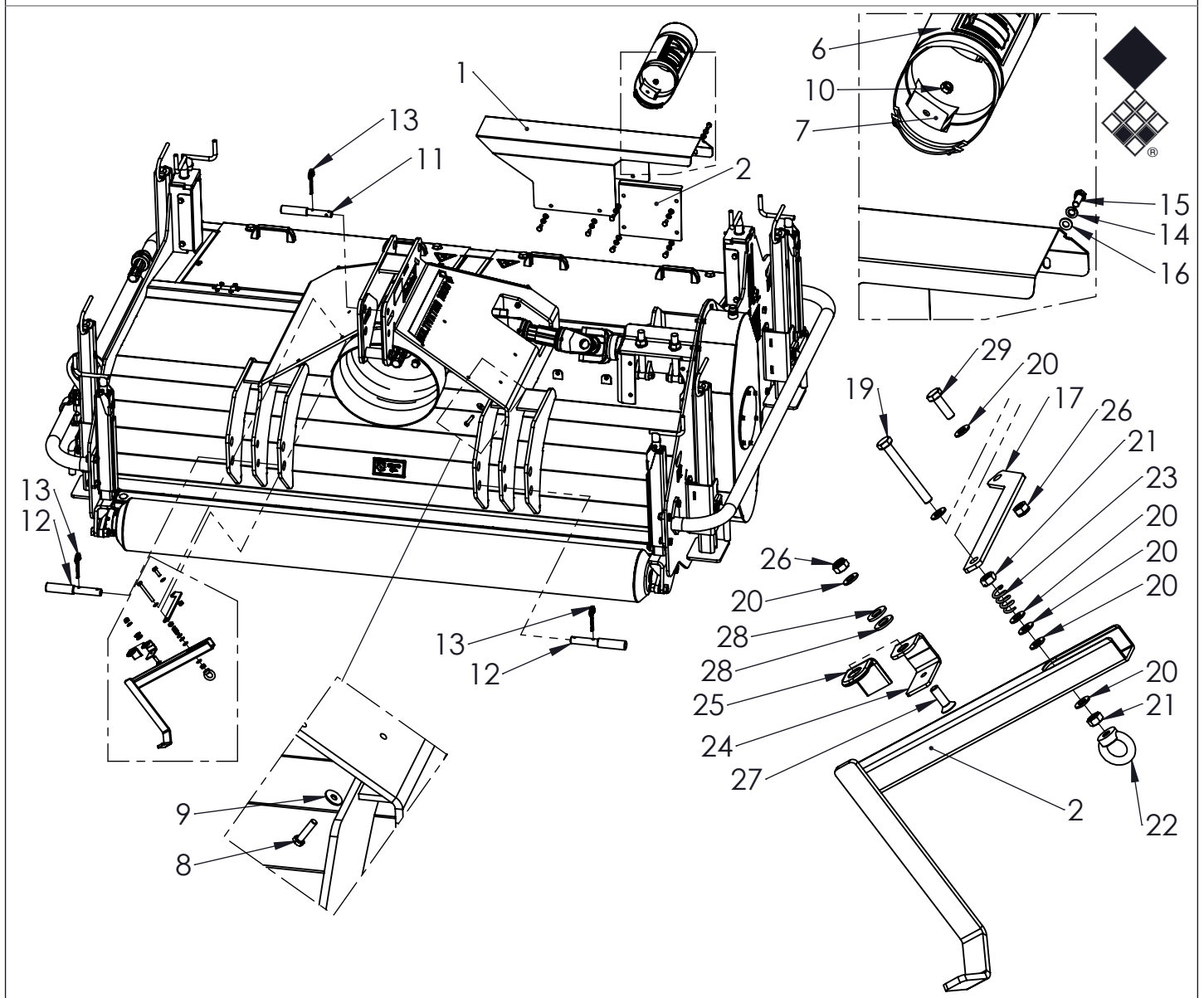
ITEM	PART NUMBER	DESCRIPTION	REMARKS	QUA
1	470.041.650	Seal plate		1
2	880.060.100	Grease nipple M6 DIN 71412A		1
3	744.500.440	Bearing PME50-N		2
4	488.220.205	Rotor machining		1
5	353.816.315	Blade with tip 10mm		36
6	804.160.452	Bolt M16 x 45 - ISO 4017 Class 10.9		108
7	830.160.160	Self Lock Nut M16-ISO 10511 Class 10		108
8	468.121.650	Sealflange		1
9	763.065.080	Oil Seal 65x80x8 with dust lip		1
10	880.060.104	Grease nipple M6 45deg. DIN 71412B		1
11	830.140.140	Self Lock Nut M14-ISO 10511 Class 10		8
12	804.140.450	Bolt M14 x 45 - ISO 4017		4
13	804.140.550	Bolt M14 x 55 - ISO 4017		4



ITEM	PART NUMBER	DESCRIPTION	REMARKS	QUA
1	456.025.012	Cover knife roler right		1
2	456.025.011	Cover knife roler left		1
3	830.160.160	Self Lock Nut M16-ISO 10511 Class 10		4
4	816.160.500	Bolt M16 x 50 - DIN 7991		4
5	478.069.190	Main Shaft Knives Ø200		1
6	828.450.220	Low Nut M45 x 1.5 Fine - DIN 439		2
7	1 007981	Disc Ø450 / 4mm		8
8	468.061.550	Spacer knife		16
9	478.168.196	Tube		7
10	478.168.154	End cap knife roler		2
11	804.080.300	Bolt M8 x 30 - ISO 4017		24
12	830.080.080	Self Lock Nut M8 - ISO 10511		24
13	864.460.070	Washer M45		2
14	742.350.450	Bearing UCFL 207		2
15	460.155.700	knife roller support		2
16	814.100.140	Bolt M10 x 14 - DIN 912		2
17	880.060.103	Grease nipple M6 DIN 71412A		2
18	814.100.140	Bolt M10 x 14 - DIN 912		2
19	474.110.150	Spindle lever		2
20	426.240.270	Spindle knife roler		2
21	404.150.070	Spindle bush		4
22	802.080.500	Bolt M8 x 50 - ISO 4014		8
23	468.060.770	plate		2
24	408.400.510	Knife roller spindle nut		2
25	468.150.550	spacer		4
26	464.153.600	Flat bar		4
27	880.060.100	Grease nipple M6 DIN 71412A		3
28	468.030.550	Indicator		2
29	830.120.120	Self Lock Nut M12 - ISO 10511 Class 10		38
30	804.160.250	Bolt M16 x 25 - ISO 4017		2
31	866.080.020	Spring Washer M8 - DIN 127		21
32	864.080.030	Washer M8 - ISO 7089		21
33	802.120.400	Bolt M12 x 40 ISO 4014		14
34	802.120.450	Bolt M12 x 45 ISO 4014 Class 10.9		6
35	804.080.160	Bolt M8 x 16 - ISO 4017		8
36	878.060.260	Roll Pin 6 x 26 - ISO 8752		2
37	469.062.370	PTO support plate		1

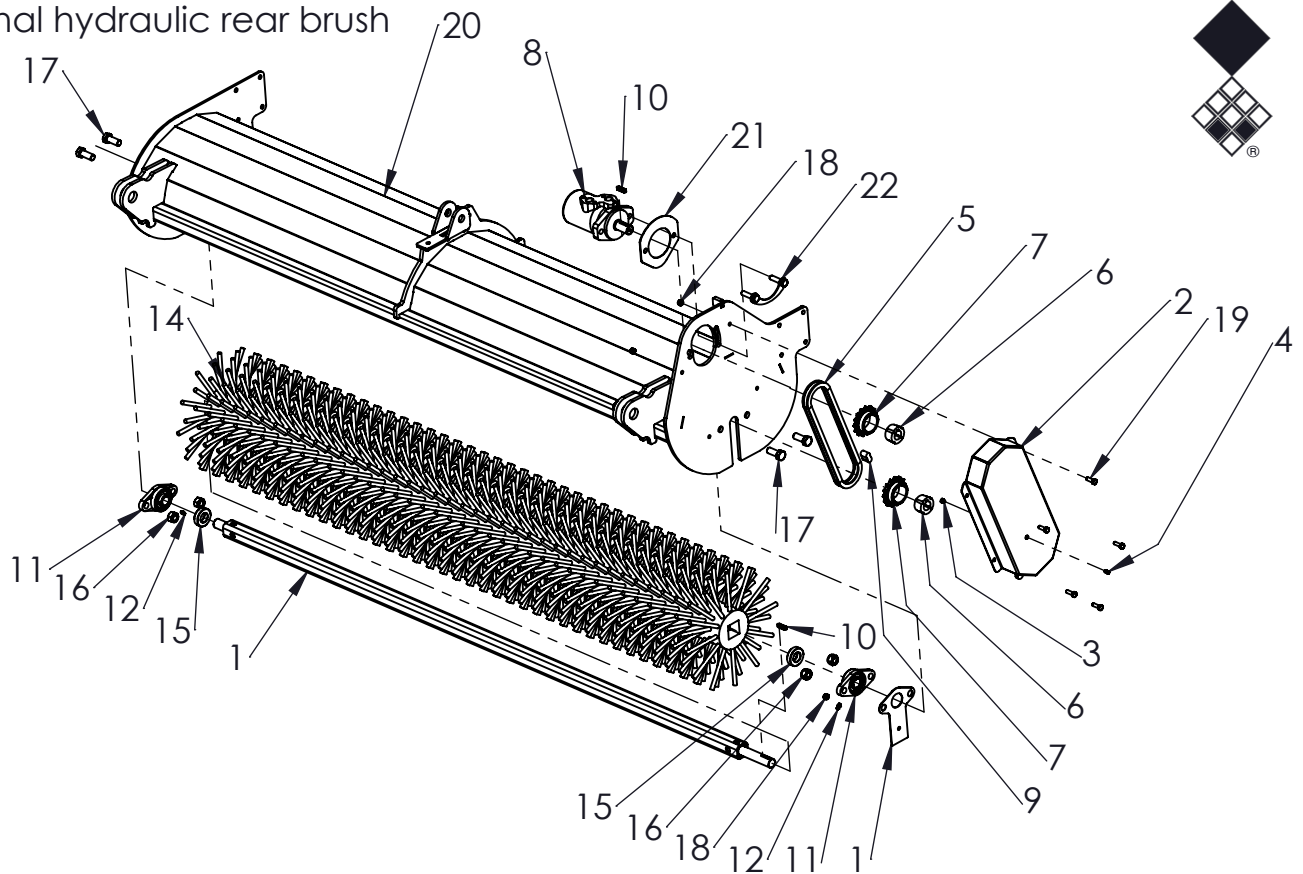


ITEM	PART NUMBER	DESCRIPTION	REMARKS	QUA
1	468.059.184	Scraper		1
2	468.061.852	Scraper support Left		1
3	468.061.854	Scraper support right		1
4	460.505.502	Front roller spindle		2
5	488.168.177	Roller Ø168.3 L=1746		1
6	468.061.952	Scraper support left		1
7	468.059.194	Scraper rear roler		1
8	460.505.502	Front roller spindle		1
9	468.061.956	Scraper support right		1
10	460.505.502	Front roller spindle		2
11	474.251.162	Lever Jack		4
12	464.080.300	Distance Block		4
13	464.042.800	Height indicator strip		4
14	900.260.414	Decal Ruler		4
15	468.031.180	Lock Plate		4
16	402.070.140	Distance Bush		8
17	802.060.650	Bolt M6 x 65 - ISO 4014		4
18	830.060.060	Self Lock Nut M6 - ISO 10511		8
19	830.160.160	Self Lock Nut M16-ISO 10511 Class 10		8
20	804.160.500	Bolt M16 x 50 - ISO 4017		8
21	802.060.600	Bolt M6 x 60 - ISO 4014		8
22	820.100.300	MH Bolt M10 x 30 ISO 8677		4
23	864.100.031	Large washer M10 - DIN 9021		4
24	830.100.100	Self Lock Nut M10 - ISO 10511		4
25	742.350.450	Bearing UCFL 207		4
26	488.168.195	Back roller multivator 1800		1
27	880.060.100	Grease nipple M6 DIN 71412A		4
28	804.120.400	Bolt M12 x 40 - ISO 4017		4
29	830.120.120	Self Lock Nut M12 - ISO 10511 Class 10		16
30	804.120.300	Bolt M12 x 30 - ISO 4017		8
31	802.120.452	Bolt M12 x 45 ISO 4014 Class 12.9		4
32	864.120.030	Washer M12 - ISO 7089		16
33	802.120.400	Bolt M12 x 40 ISO 4014		4



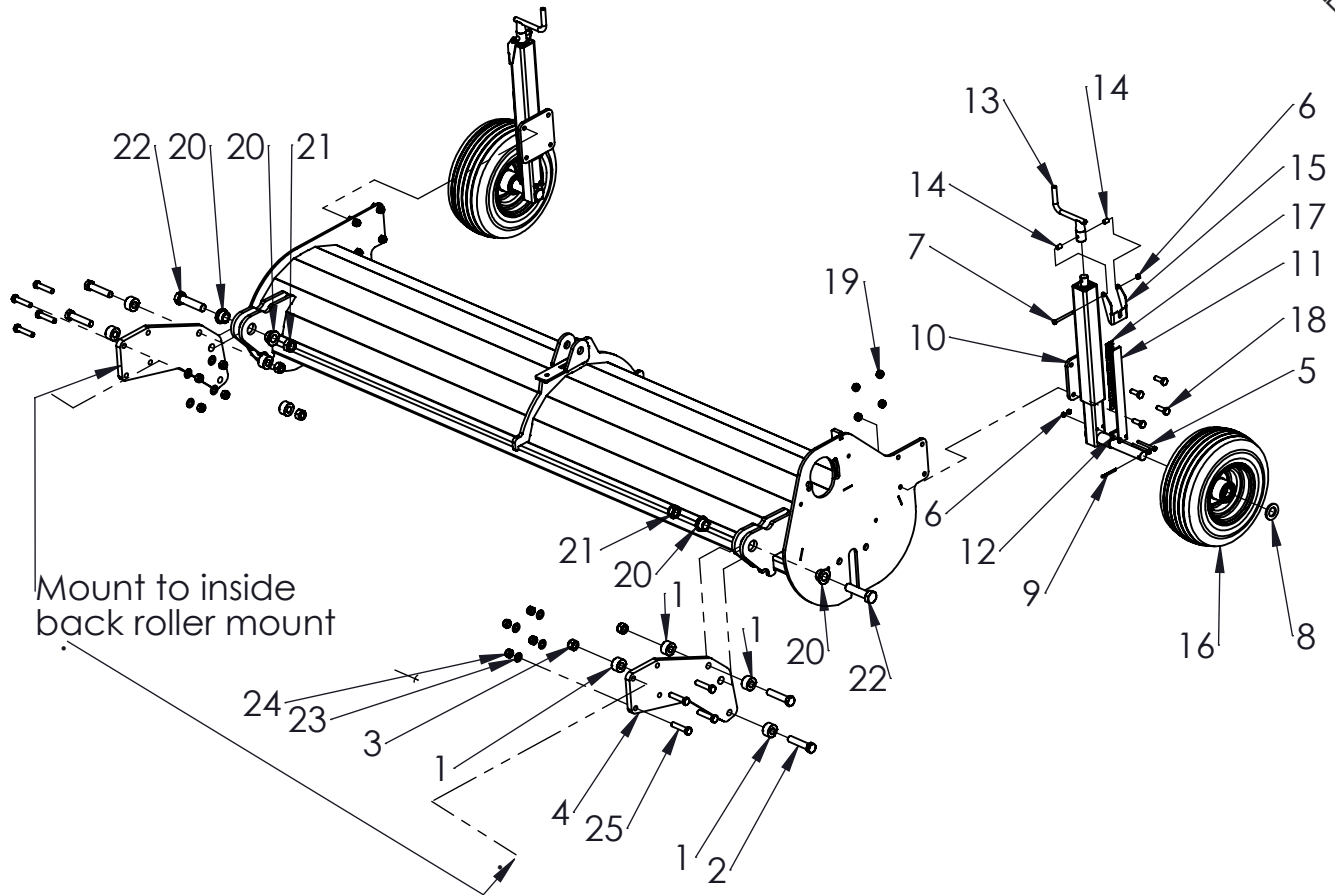
ITEM	PART NUMBER	REMARKS	DESCRIPTION	QUA
1	456.072.028		Drive cover	1
2	456.018.002		Tensioner cover	1
3	444.803.100		Toolbox Complete	1
4	468.030.530		Toolbox contraplate	2
5	804.080.350		Bolt M8 x 35 - ISO 4017	1
6	864.080.024		Large washer M8 - DIN 9021	1
7	830.080.080		Self Lock Nut M8 - ISO 10511	2
8	521.191.600		Top link pin OS	1
9	521.221.600		3-point pin	2
10	523.051.000		R-clip Round 5, DIN 11024	3
11	866.080.020		Spring Washer M8 - DIN 127	9
12	804.080.200		Bolt M8 x 20 - ISO 4017	9
13	864.080.030		Washer M8 - ISO 7089	9
14	468.042.102		Plate	1
15	462.243.328		PTO support	1
16	804.080.700		Bolt M8 x 70 - ISO 4017	1
17	864.080.030		Washer M8 - ISO 7089	7
18	826.080.080		Nut M8 - DIN 934	2
19	822.080.360		Lifting Eye Nut M8 - DIN 582	1
20	576.020.250		Compression spring	1
21	468.030.480		Plate	1
22	446.300.702		Plate	1
23	830.080.080		Self Lock Nut M8 - ISO 10511	2
24	816.080.250		Bolt M8x25 DIN 7991	1
25	864.100.030		Washer M10 - ISO 7089	2
26	804.080.250		Bolt M8 x 25 - ISO 4017	1

Optional hydraulic rear brush



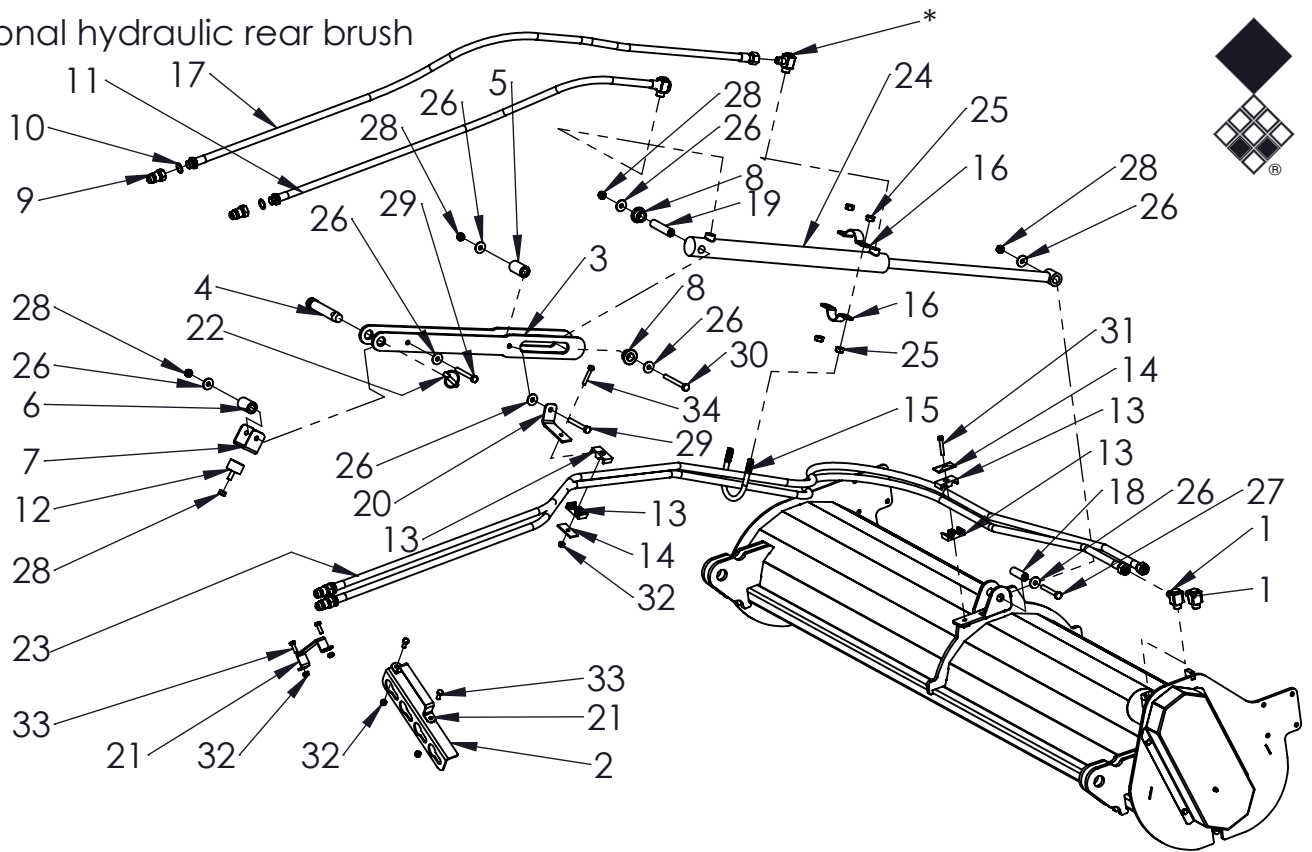
ITEM	PART NUMBER	DESCRIPTION	REMARKS	QUA
1	468.021.614	Cover plate		1
2	456.046.021	Chain cover		1
3	804.060.060	Bolt M6 x 6 - ISO 4017		1
4	880.060.100	Grease nipple M6 DIN 71412A		1
5	631.028.000	Chain 5/8" L=800		1
6	648.251.210	Taperlock 1210 - 25mm		2
7	635.020.832	Sprocket Taperlock Simplex 5/8" x 3/8". Z=15		2
8	532.251.600	Hydraulic motor OMP 250		1
9	638.020.020	Chain connector 5_8 inch 10B Simplex		1
10	884.080.320	Key 8x7x32 - DIN 6885		2
11	742.250.360	Bearing UCFL 205		2
12	880.060.100	Grease nipple M6 DIN 71412A		2
13	474.409.200	Brush shaft		1
14	486.341.924	Brush		1
15	406.260.130	Ring		2
16	830.160.160	Self Lock Nut M16-ISO 10511 Class 10		4
17	804.160.400	Bolt M16 x 40 - ISO 4017		4
18	830.080.080	Self Lock Nut M8 - ISO 10511		5
19	804.080.250	Bolt M8 x 25 - ISO 4017		5
20	494.204.064	Frame rear brush		1
21	468.021.458	Small motor cover		1
22	470.031.060	bolt plate		1
	215.180.002	Hydraulic rear brush	Complete kit	

Optional hydraulic rear brush



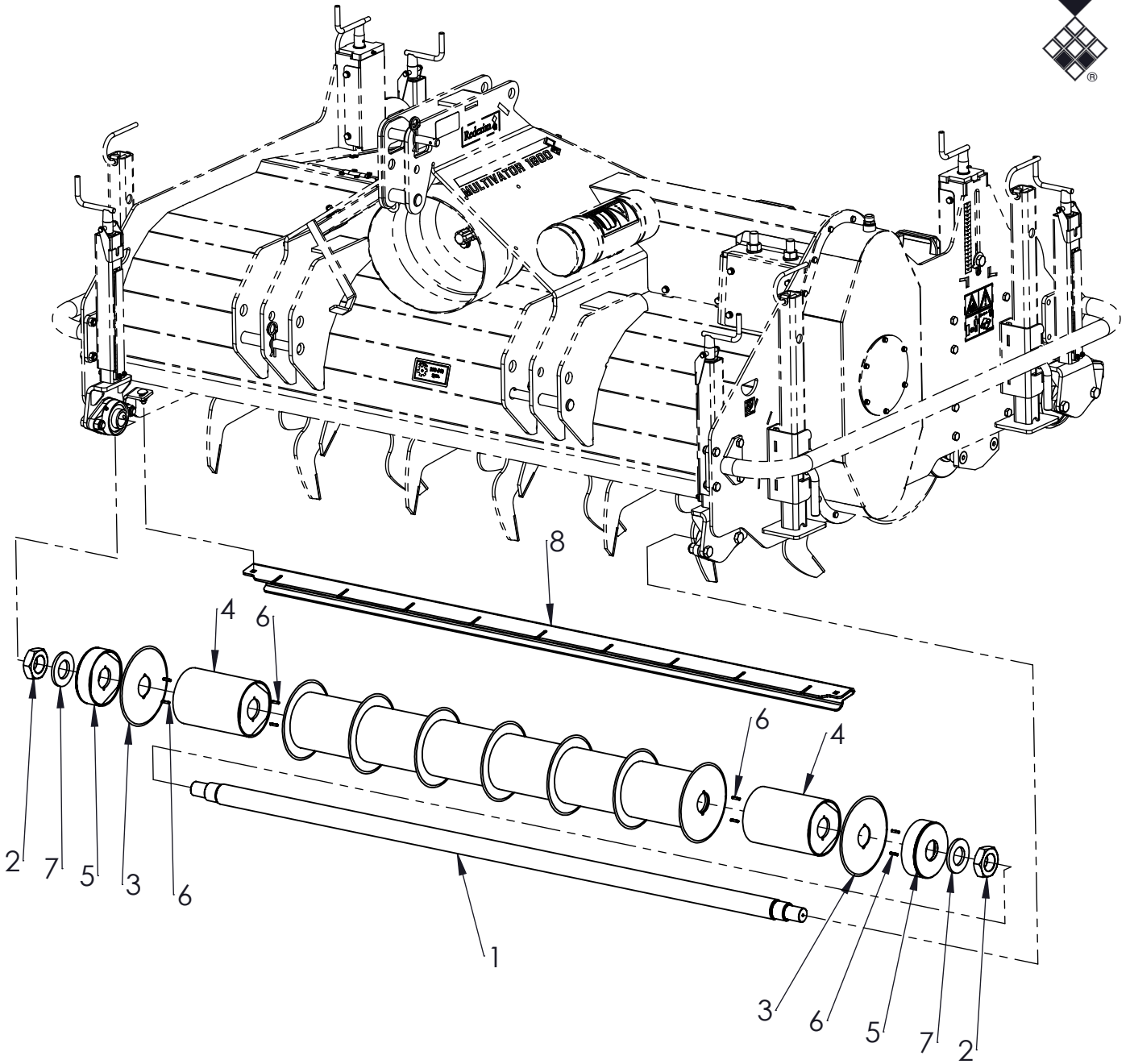
ITEM	PART NUMBER	DESCRIPTION	REMARKS	QUA
1	402.160.204	Bush Ø16.2-35 L20		8
2	802.160.750	Bolt M16 x 75 - ISO 4014		4
3	830.160.160	Self Lock Nut M16-ISO 10511 Class 10		4
4	468.153.820	Plate brush mount		2
5	802.060.600	Bolt M6 x 60 - ISO 4014		4
6	830.060.060	Self Lock Nut M6 - ISO 10511		6
7	802.060.650	Bolt M6 x 65 - ISO 4014		2
8	864.240.044	Washer M24 - ISO 7089		2
9	882.050.400	Cotter Pin 5 x 40 - DIN 94		2
10	460.504.382	Weldment Jack		2
11	464.042.800	Height indicator strip		2
12	464.080.300	Distance Block		2
13	474.251.162	Lever Jack		2
14	402.070.140	Distance Bush		4
15	468.031.180	Lock Plate		2
16	511.325.135	Wheel AGRI 31 - 13x5.00-6		2
17	900.260.414	Decal Ruler		2
18	804.100.300	Bolt M10 x 30 - ISO 4017		8
19	830.100.100	Self Lock Nut M10 - ISO 10511		8
20	404.200.190	Bush Ø20.5-40-30 L19-14		4
21	830.200.200	Self Lock Nut M20 Din 985 h=17		2
22	802.200.800	Bolt M20 x 80 - ISO 4014		2
23	864.120.030	Washer M12 - ISO 7089		8
24	830.120.120	Self Lock Nut M12 - ISO 10511 Class 10		8
25	802.120.550	Bolt M12 x 55 - ISO 4014 - 10.9		8

Optional hydraulic rear brush

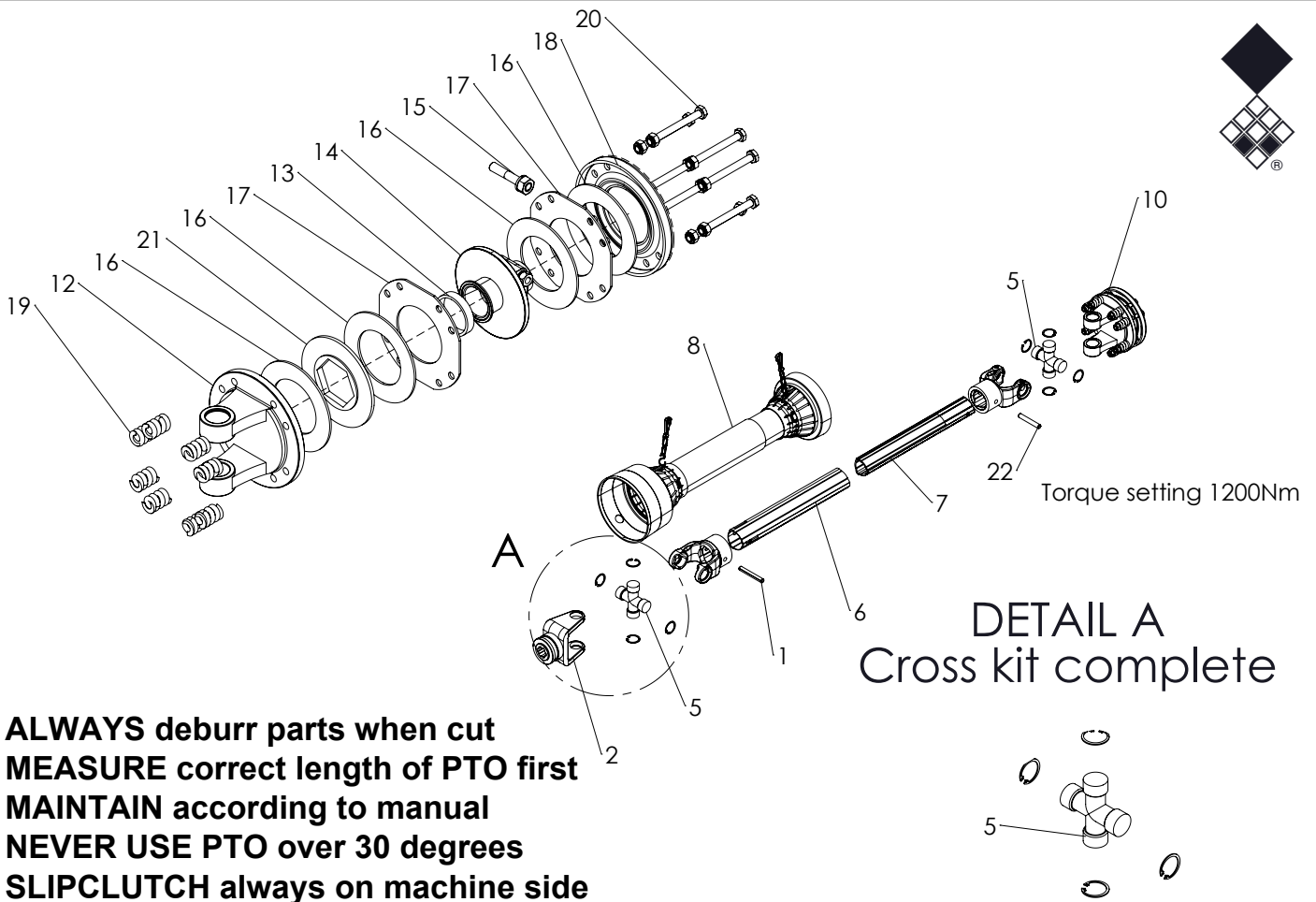


ITEM	PART NUMBER	DESCRIPTION	REMARKS	QUA
1	544.212.150	L-connector BSP1/2x15L		4
2	468.033.502	Connector rack		1
3	468.086.760	Pull bar rear brush		2
4	521.251.052	Pin Cat. 2 - 25,4 x 105		1
5	402.170.540	Bush		1
6	402.170.480	Bush		1
7	468.030.570	Bracket		1
8	404.200.190	Bush Ø20.5-40-30 L19-14		2
9	545.210.800	Quick connector male 1/2"		4
10	874.210.020	Copper washer 1_2		4
11	541.172.315	Hose NSK10-3/8" TL=2315 PGLO1022 + PN108		1
12	572.400.250	Vibration damper		1
13	547.180.180	Hose clamp double 18mm		4
14	547.300.510	Cover plate hose clamp 2x15 - 2x18		2
15	848.121.270	U clamp		1
16	468.031.254	Bracket		2
17	541.172.825	Hose NSK10-3/8" TL=2825 PGLO1022 + PN108		1
18	402.110.580	Bush		1
19	402.110.880	Bush		1
20	468.040.882	Bracket hydraulics		1
21	468.032.040	Hose guide		2
22	523.100.570	Linch Pin d10		1
23	541.174.475	Hose NSK10-3/8" TL=4475 PGLO1022 + PN108		2
24	534.250.670	Hydraulic cylinder		1
25	826.120.120	Nut M12 - DIN 934		4
26	864.100.031	Large washer M10 - DIN 9021		8
27	802.100.750	Bolt M10 x 75 - ISO 4014		1
28	830.100.100	Self Lock Nut M10 - ISO 10511		5
29	802.100.850	Bolt M10 x 85 - ISO 4014		2
30	802.101.000	Bolt M10 x 100 - ISO 4014		1
31	802.080.450	Bolt M8 x 45 - ISO 4014		1
32	830.080.080	Self Lock Nut M8 - ISO 10511		5
33	804.080.250	Bolt M8 x 25 - ISO 4017		4
34	802.080.500	Bolt M8 x 50 - ISO 4014		1

Optional front knife roller



ITEM	PART NUMBER	DESCRIPTION	REMARKS	QUA
1	416.059.180	front cutter axle		1
2	828.450.220	Low Nut M45 x 1.5 Fine - DIN 439		2
3	1 005137R	Disc Ø200 / 3mm		9
4	478.139.197	Spacer front knife roler		8
5	478.139.042	End cap front knife roler		2
6	878.050.220	Roll Pin 5 x 22 - ISO 8752		18
7	864.460.070	Washer M45		2
8	468.059.186	Scraper front knife roler		1
	215.180.004	Front knife roller	Complete kit	



ALWAYS deburr parts when cut
MEASURE correct length of PTO first
MAINTAIN according to manual
NEVER USE PTO over 30 degrees
SLIPCLUTCH always on machine side

22	1	878.120.800	Roll Pin 12 x 80 - ISO 8752	Steel			
21	1	BEN F080	Drive plate with hexagon	Steel	Benzi	F080	
20	8	BEN F10100	Bolt and nut	Steel	BENZI	BEN F10100	
19	8	BEN F0111	Spring	Steel	BENZI	F0111	Commercial part
18	1	BEN F1180	Pressure plate	Steel	BENZI	F1180	Commercial part
17	2	BEN F070	Inner plate	Steel	BENZI	F070	Commercial part
16	4	BEN F030/S	Lining ring	Clutch plate material	BENZI	F030/S	Commercial part
15	1	BEN 90938	Conic bolt and nut	Steel	BENZI	90938	Commercial part
14	1	BEN F338	HUB 6 spline 1.3/8"	S235			
13	1	BEN F060	Bush	Steel	BENZI	F060	Commercial part
12	1	BEN F1B08	Flange yoke	St. 37-2	BENZI	F1B08	Commercial part
10	1	BEN PT158337	Disc clutch toque limiter		Benzi	PT158337	Commercial part
8	1	BEN PT156265	Safety guard group		BENZI	PT156265	
7	1	BEN PT154681	Triangular tubing 54x4	S235	Benzi	PT154681	
6	1	BEN PT157901	Triangular tube 63x4	S235	Benzi	PT157901	
5	2	BEN PT151040	Universal joint assembled	Steel	BENZI	PT151040	Commercial part
4	1	BEN PT148826	Inner tube yoke 54	S235	Benzi	PT148826	
3	1	BEN PT148827	Outer tube Yoke	S235	Benzi	PT148827	
2	1	BEN PT140150	End yoke with quick lock	Steel	BENZI	PT140150	Commercial part
1	1	878.120.900	Roll Pin 12 x 90 - ISO 8752	Steel			
ITEM	QTY	PART NUMBER	TITLE	MATERIAL	SUPPLIER	SUPPLIER NO.	COMMENT