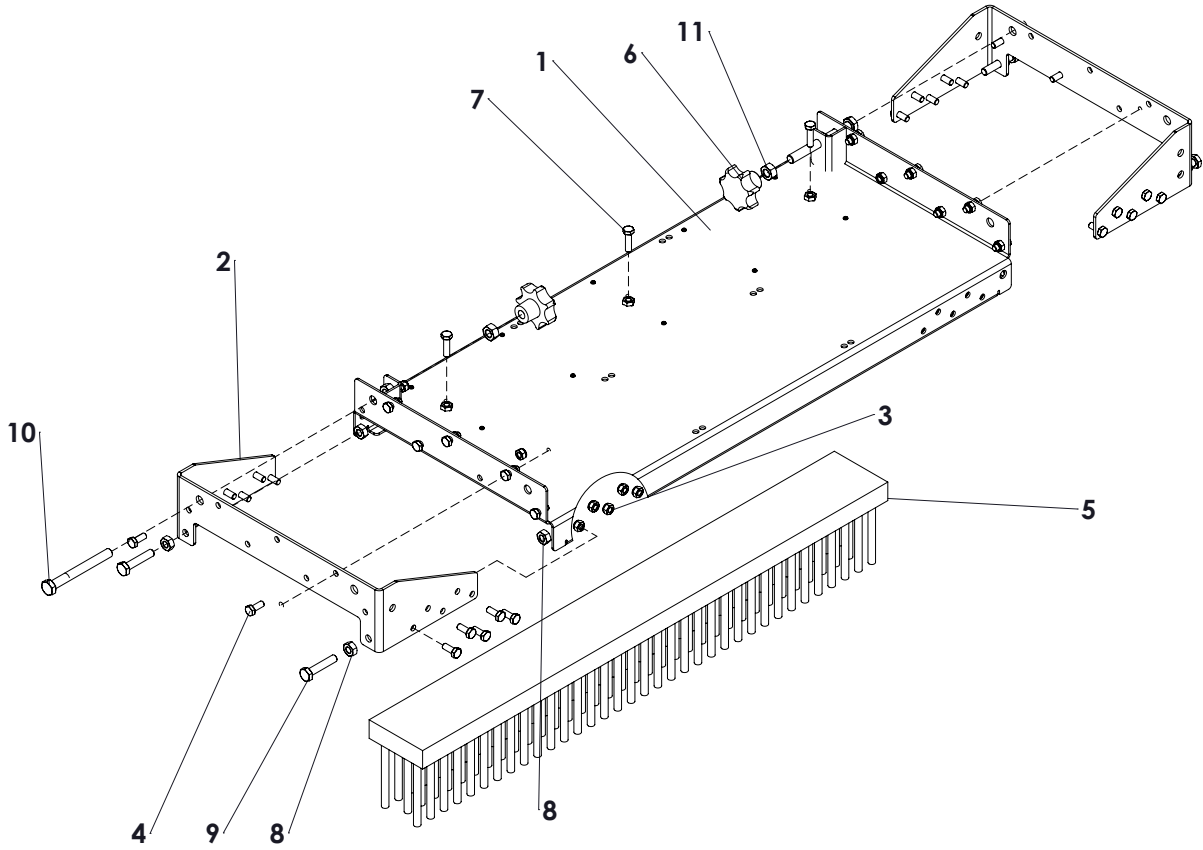


| ITEM | PART NUMBER | DESCRIPTION | REMARKS | QUA |
|------|-------------|------------------------------|---------|-----|
| 1 | 470.028.000 | Right brush wing | | 1 |
| 2 | 470.054.600 | Right wing hinge | | 1 |
| 3 | 486.100.870 | Brush WL=105 L=945 | | 1 |
| 4 | 804.080.200 | Bolt M8 x 20 - ISO 4017 | | 12 |
| 5 | 864.080.030 | Washer M8 - ISO 7089 | | 7 |
| 6 | 830.080.080 | Self Lock Nut M8 - ISO 10511 | | 12 |
| 7 | 468.040.900 | Block profile | | 2 |
| 8 | 464.052.370 | Corner protector | | 1 |
| 9 | 804.080.300 | Bolt M8 x 30 - ISO 4017 | | 3 |



| ITEM | PART NUMBER | DESCRIPTION | REMARKS | QUA |
|------|-------------|------------------------------|---------|-----|
| 1 | 470.038.682 | Center brush frame | | 1 |
| 2 | 470.043.820 | Sides base brush | | 2 |
| 3 | 830.080.080 | Self Lock Nut M8 - ISO 10511 | | 34 |
| 4 | 804.080.200 | Bolt M8 x 20 - ISO 4017 | | 34 |
| 5 | 486.100.870 | Brush WL=105 L=945 | | 1 |
| 6 | 836.120.400 | Knurled knob M12x25 | | 2 |
| 7 | 804.080.300 | Bolt M8 x 30 - ISO 4017 | | 3 |
| 8 | 826.100.100 | Nut M10 - DIN 934 | | 8 |
| 9 | 804.100.500 | Bolt M10 x 50 - ISO 4017 | | 4 |
| 10 | 804.120.110 | Bolt M12 x 110 - ISO 4017 | | 2 |
| 11 | 826.120.120 | Nut M12 - DIN 934 | | 2 |