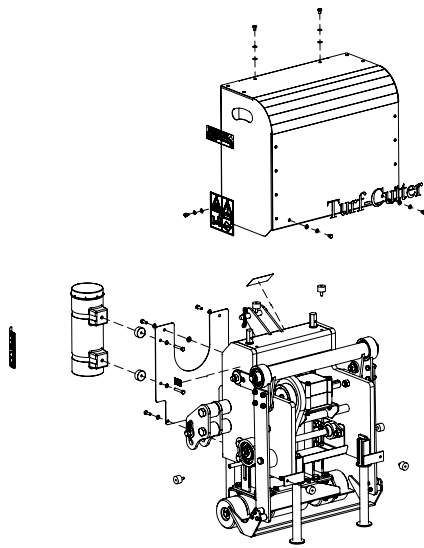
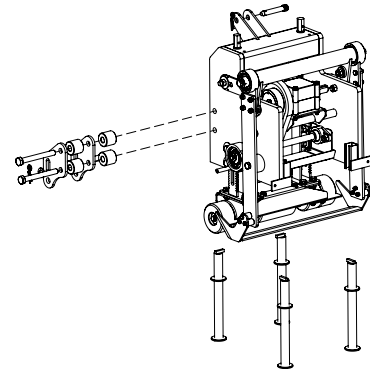


Parts manual

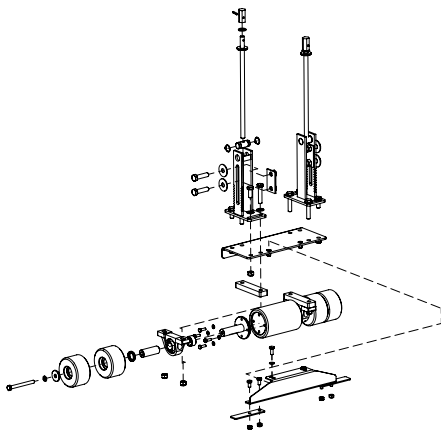




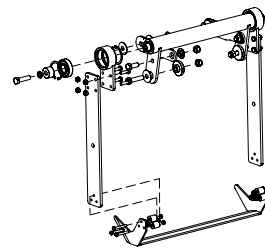
Page 2: Covers



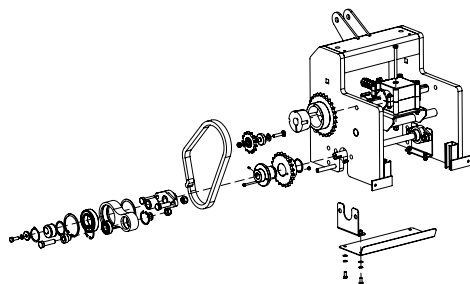
Page 3: Stand legs + 3-Point



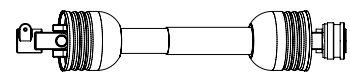
Page 4: Front Roller



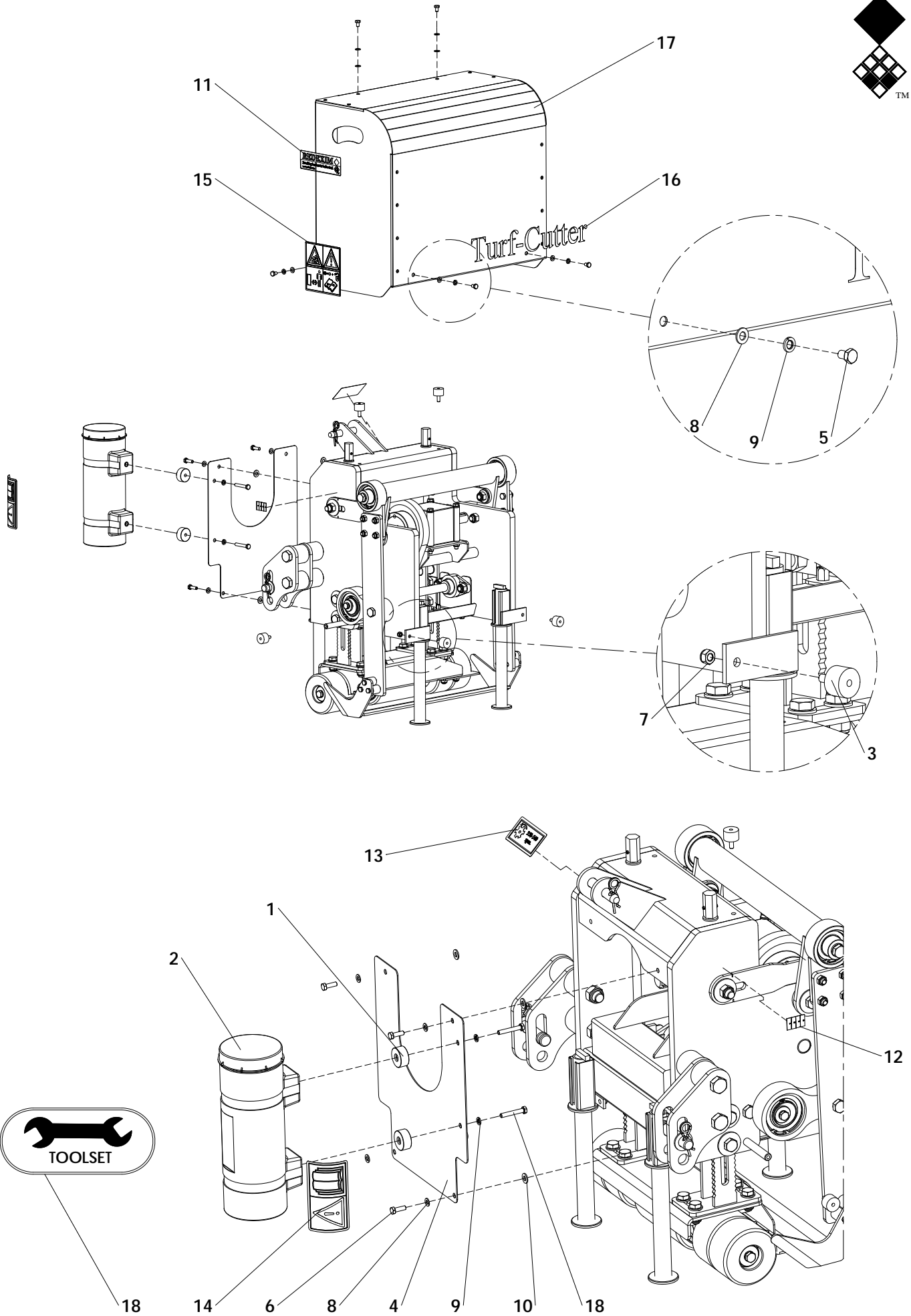
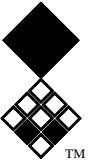
Page 5: Drive arms + Knife



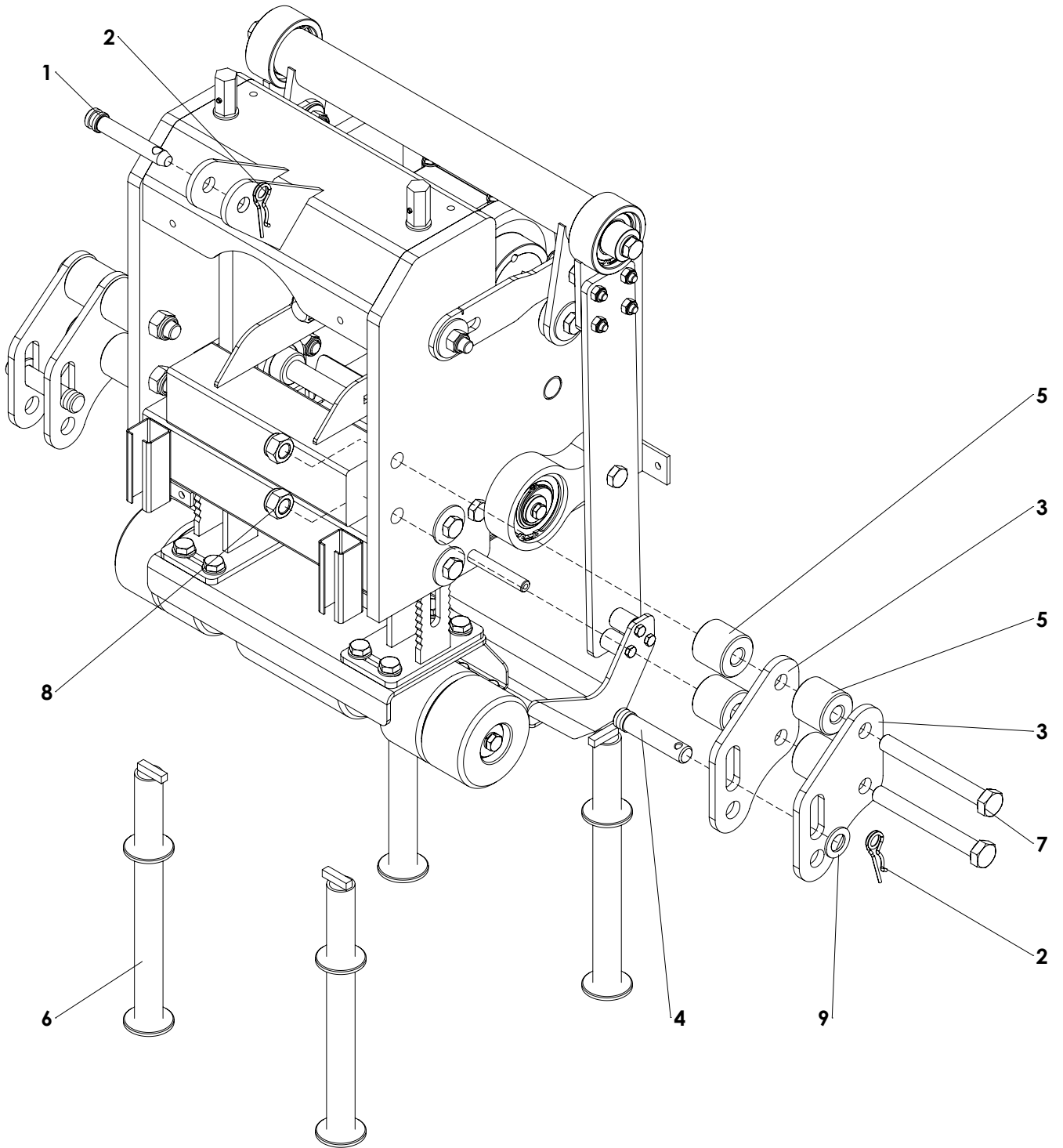
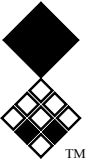
Page 6: Main frame + Power train



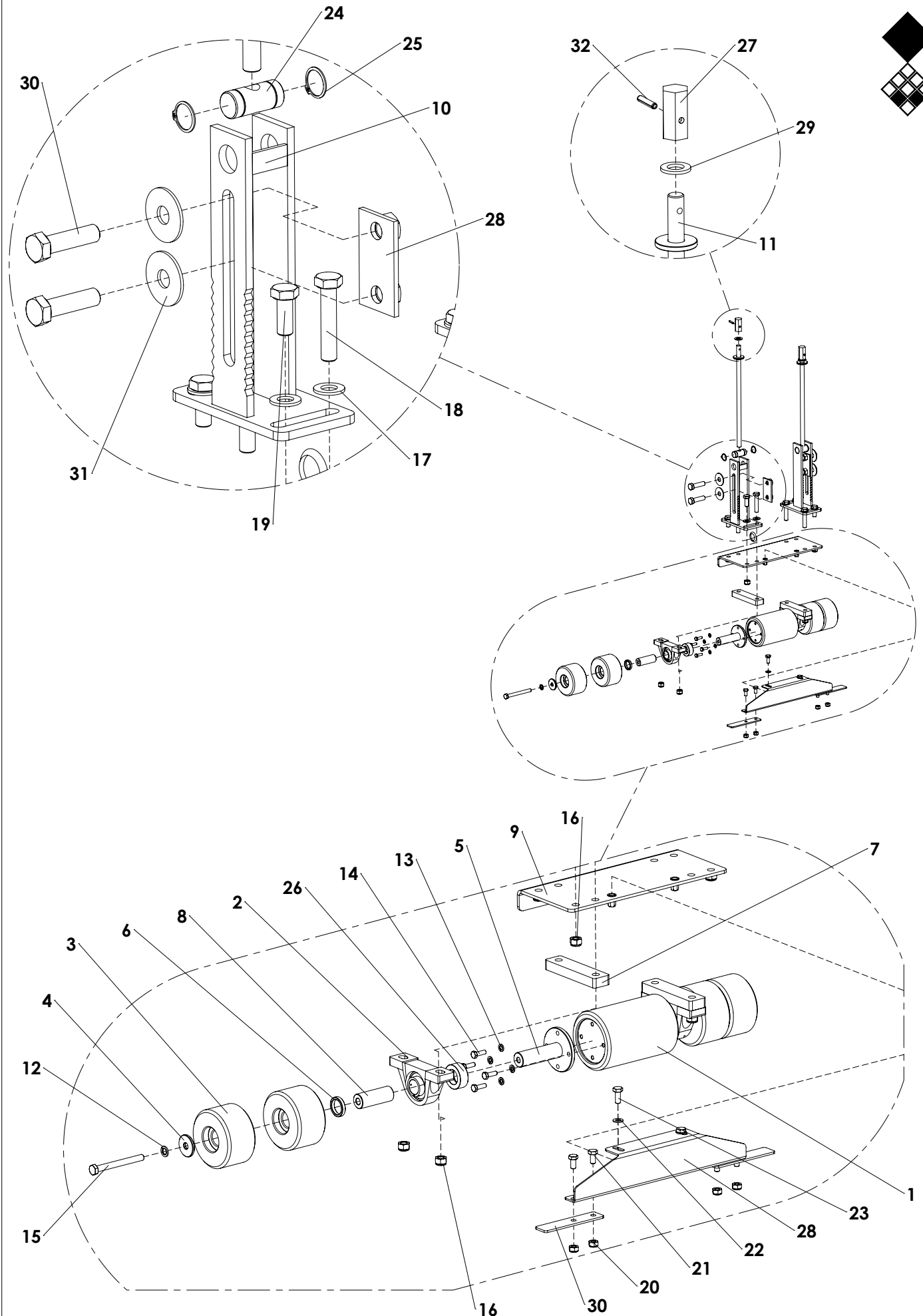
Page 7: PTO



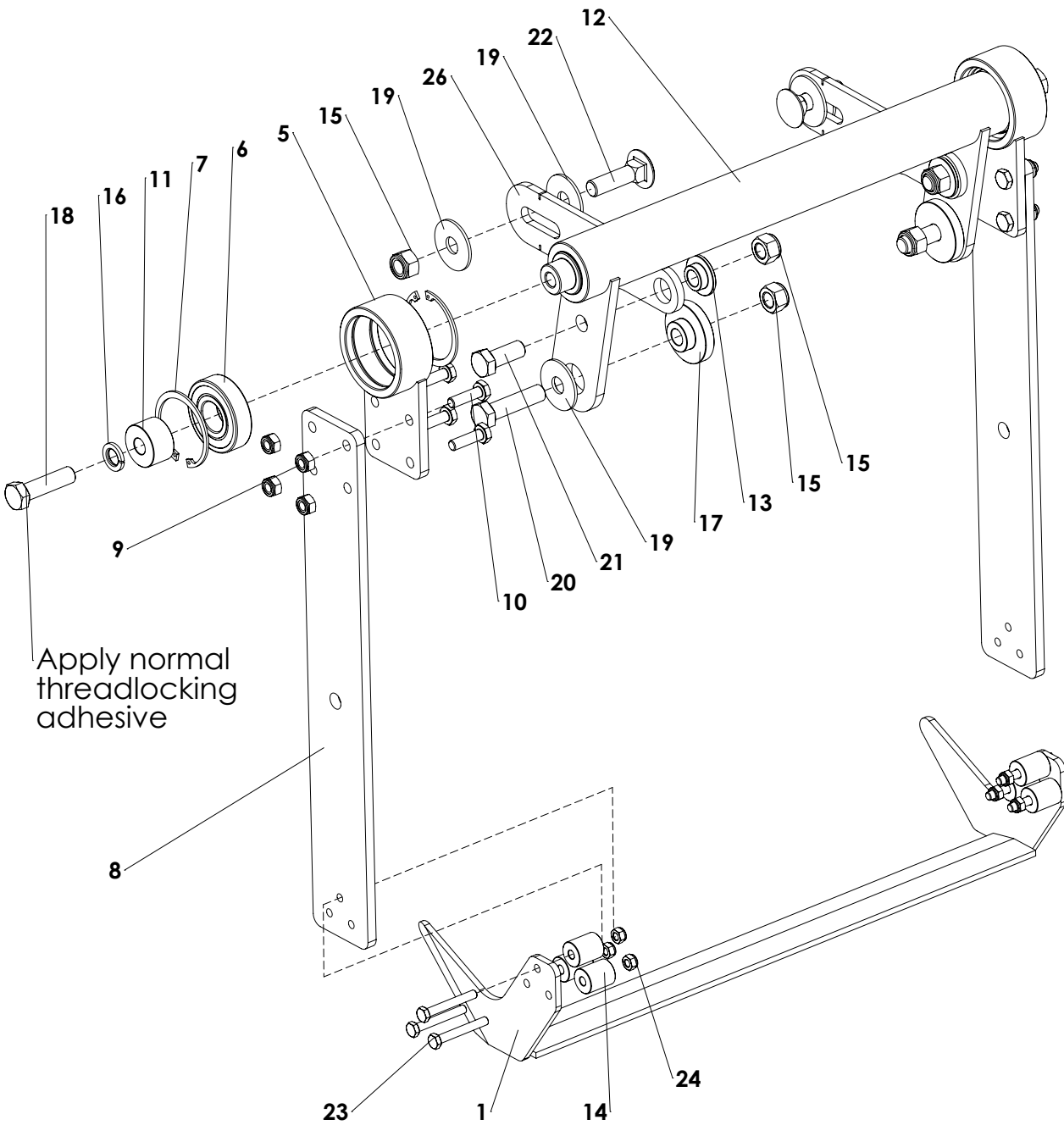
ITEM	PART NUMBER	DESCRIPTION	REMARKS	QUA
1	406.090.182	Distance bush toolbox		2
2	444.803.100	Toolbox Complete		1
3	446.300.200	Vibration damper type B M8x20		6
4	468.024.204	Cover		1
5	804.080.120	Bolt M8 x 12 - ISO 4017		6
6	804.080.250	Bolt M8 x 25 - ISO 4017		4
7	830.080.080	Self Lock Nut M8 - ISO 10511		14
8	864.080.030	Washer M8 - ISO 7089		10
9	866.080.020	Spring Washer M8 - DIN 127		8
10	899.100.020	Rubber Washer M10 DIN 125		4
11	900.260.403	Logo Label		2
12	900.260.414	Decall Ruler		2
13	900.260.422	Decall PTO 350 540		1
14	900.280.402	Safety decall manual		1
15	921.280.402	Safety decall VS		2
16	956.260.000	Label Turf Cutter		1
17	470.022.780	Main cover SC		1
18	804.080.500	Bolt M8 x 50 - ISO 4017		2
19	468.083.060	Toolset		1



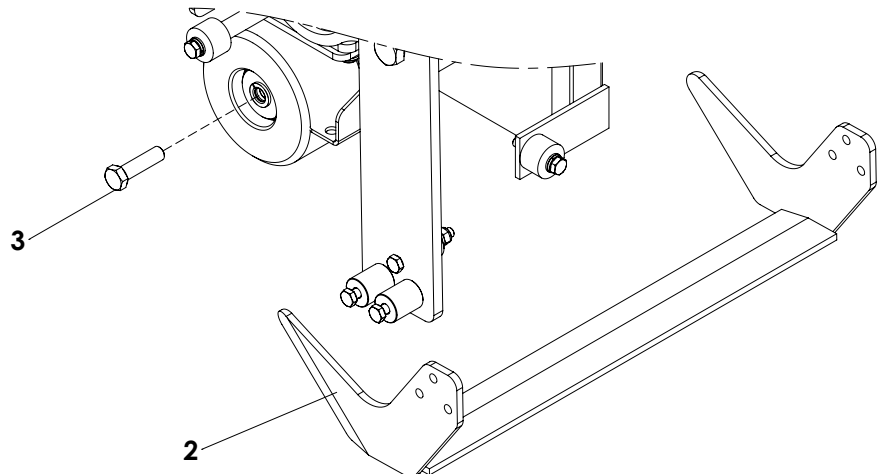
ITEM	PART NUMBER	DESCRIPTION	REMARKS	QUA
1	2490825	Top Link Pin		1
2	523.030.750	R-Clip Round 3, DIN 11024		3
3	468.102.052	3-Point plate		4
4	521.221.120	Pin for 3-point		2
5	406.210.500	Distance bush Ø55/Ø20.5 L=50		8
6	460.603.700	Jack stand		4
7	802.201.700	Bolt M20 x 170 - ISO 4014		4
8	830.200.200	Self Lock Nut M20 - ISO 10511		4
9	864.220.030	Washer M22 - ISO 7089		2



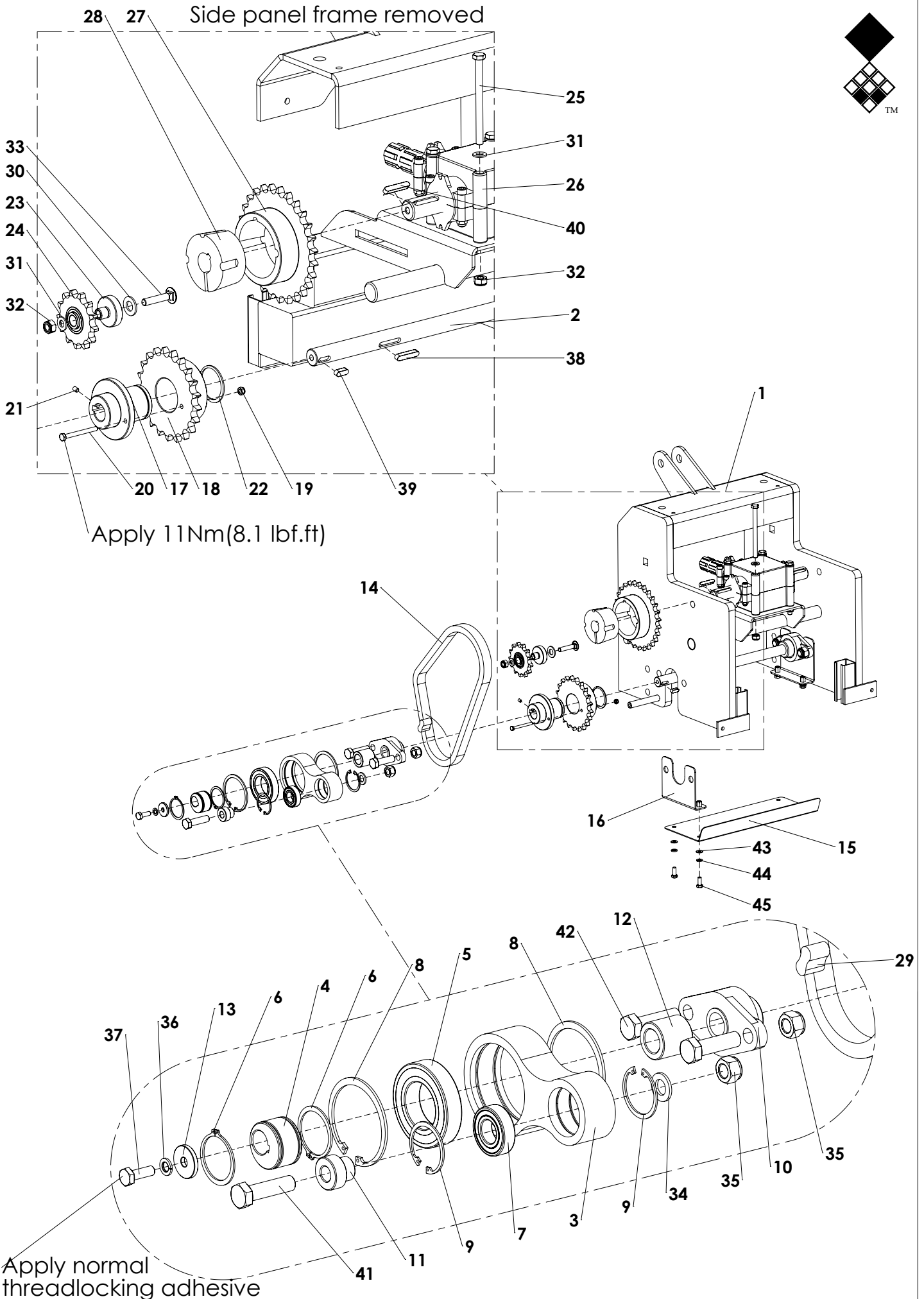
ITEM	PART NUMBER	DESCRIPTION	REMARKS	QUA
1	488.120.018	Center roller		1
2	743.300.410	Bearing PASEY30-N		2
3	488.120.070	Roller extension		4
4	402.120.050	Distance bush Ø45/Ø12.5 L=5		2
5	474.301.102	Roller hub		2
6	406.310.060	Distance bush Ø40/Ø30.5 L=8		2
7	464.201.580	Strip 40x20 L=158		2
8	406.130.802	Distance bush Ø30/Ø12.5 L=80		2
9	470.064.000	Roller base		1
10	470.082.350	Lift bracket		2
11	426.165.550	Spindle Rod		2
12	866.120.020	Spring Washer M12 - DIN 127		2
13	866.080.020	Spring Washer M8 - DIN 127		8
14	804.080.250	Bolt M8 x 25 - ISO 4017		8
15	802.121.200	Bolt M12 x 120 - ISO 4014		2
16	830.140.140	Self Lock Nut M14 - ISO 10511		8
17	864.140.030	Washer M14 - ISO 7089		8
18	802.140.700	Bolt M14 x 70 - ISO 4014		4
19	804.140.350	Bolt M14 x 35 - ISO 4017		4
20	830.100.100	Self Lock Nut M10 - ISO 10511		4
21	804.100.200	Bolt M10 x 20 - ISO 4017		4
22	864.100.030	Washer M10 - ISO 7089		2
23	804.100.250	Bolt M10 x 25 - ISO 4017		2
24	416.250.650	Spindle bush		2
25	870.025.120	Circlip d=25 - DIN 471		4
26	406.310.202	Stepped bush Ø50/Ø44/Ø30.5 L=20	From serial nr. C554214	2
	406.310.200	Distance bush Ø40/Ø30.5 L=20	Till serial nr. C554214	2
27	474.240.500	Spindle Nut		2
28	466.189.000	Lock strip		2
29	864.160.030	Washer M16 - ISO 7089		2
30	804.160.600	Bolt M16 x 60 - ISO 4017		4
31	864.160.031	Large washer M16 - DIN 9021		4
32	878.060.300	Roll Pin 6 x 30 - ISO 8752		2



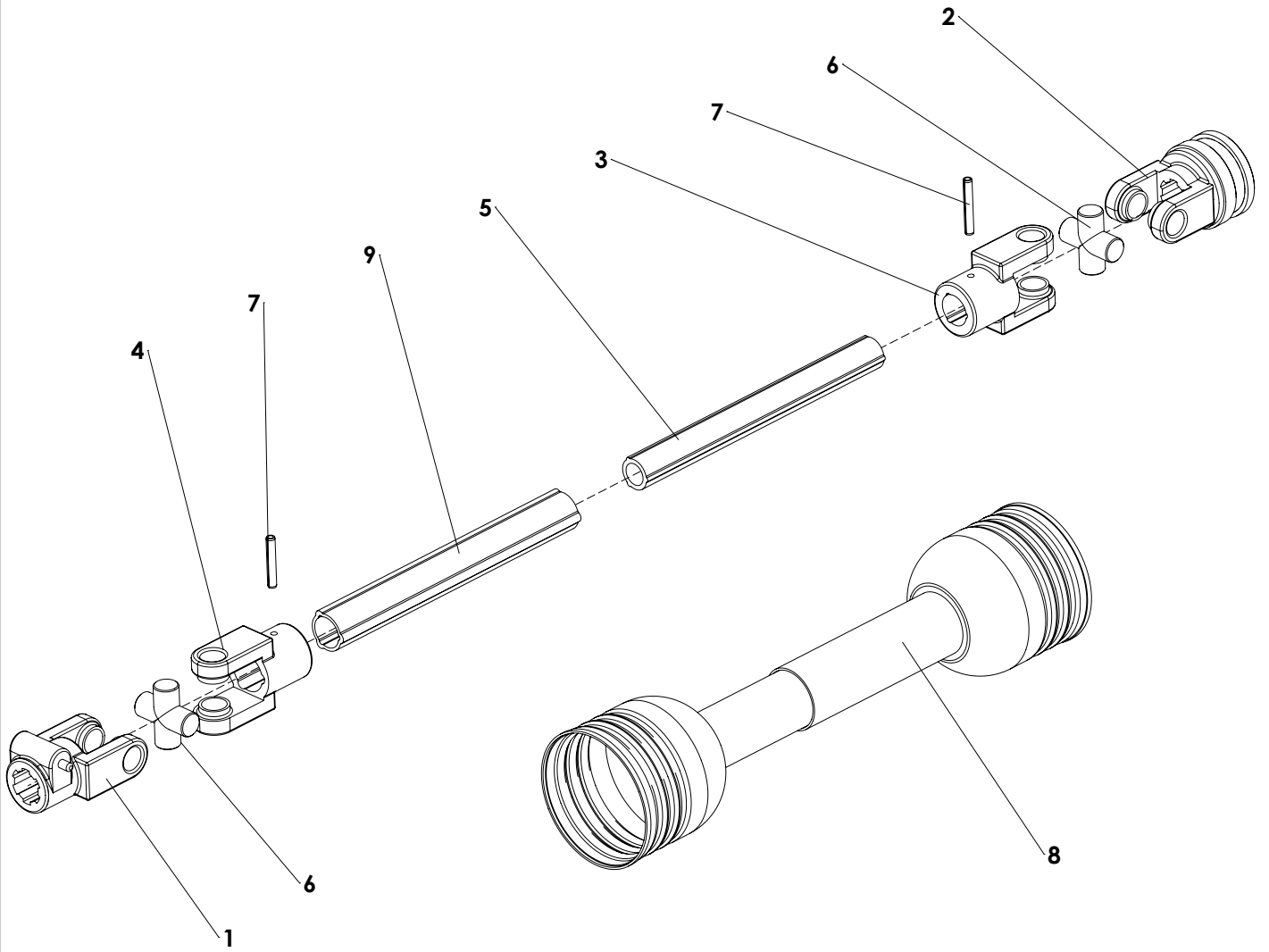
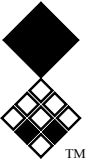
Optional 18" (457mm) knife, check users manual for assembly instructions.



ITEM	PART NUMBER	DESCRIPTION	REMARKS	QUA
1	351.306.622	Sod cutting knife 24" (610mm)		1
2	351.306.457	Sod cutting knife 18" (457mm)	Optional	1
3	802.120.450	Bolt M12x45 - ISO 4014	Optional; only for use with 18"(457mm) Sod cutting knife	2
	256.061.000	18"(457mm) Knife set	Optional kit (contains item 2+3)	1
5	466.901.750	Drive arm		2
6	713.300.190	Bearing 6306-2RS		2
7	872.072.250	Circlip D=72 - DIN 472		4
8	464.105.150	Drive arm strip		2
9	830.100.100	Self Lock Nut M10 - ISO 10511		8
10	804.100.350	Bolt M10 x 35 - ISO 4017		8
11	402.160.250	Distance bush Ø42/Ø16 L=25		2
12	474.655.590	Central bar		1
13	404.160.120	Bush Ø40/Ø25/Ø16.2 L=12		2
14	406.080.300	Distance bush Ø25/Ø8.5 L=30		6
15	830.160.160	Self Lock Nut M16 - ISO 10511		6
16	866.160.020	Spring Washer M16 - DIN 127		2
17	404.160.212	Bush Ø60/Ø30/Ø16.2 L=21		2
18	804.160.600	Bolt M16 x 60 - ISO 4017		2
19	864.160.031	Large washer M16 - DIN 9021		6
20	802.160.650	Bolt M16 x 65 - ISO 4014		2
21	804.160.400	Bolt M16 x 40 - ISO 4017		2
22	820.160.600	MH Bolt M16 x 60 ISO 8677		2
23	802.080.602	Bolt M8 x 60 - ISO 4014 Class 10.9		6
24	830.080.080	Self Lock Nut M8 - ISO 10511		6



ITEM	PART NUMBER	DESCRIPTION	REMARKS	QUA
1	494.073.040	Frame Turf Cutter		1
2	414.255.600	Drive shaft Ø25 L=510		1
3	468.402.000	Excenter Arm		2
4	410.500.400	Excenter ring		2
5	713.500.200	Bearing 6210-2RS		2
6	870.050.200	Circlip d=50 - DIN 471		4
7	713.250.150	Bearing 6205 2RS		2
8	872.090.300	Circlip D=90 - DIN 472		4
9	872.052.200	Circlip D=52 - DIN 472		4
10	742.250.430	Bearing UELFL205		2
11	404.160.300	Bush Ø35/Ø25/Ø16 L=30		2
12	402.250.390	Distance bush Ø40/Ø25 L=39		2
13	402.100.050	Distance bush Ø42/Ø10 L=5		2
14	631.030.972	Chain 3/4" (12B) 49 shackles L=933.45mm		1
15	468.024.360	Bottom cover SC		1
16	470.031.300	Cover bracket		2
17	430.780.900	Sprocket hub		1
18	635.031.360	Sprocket 3/4" (12B) 21 teeth special		1
19	830.060.060	Self Lock Nut M6 - ISO 10511		1
20	810.060.600	Shear Bolt M6 x 60 - ISO 4014 Class 8.8		1
21	818.060.080	Set screw M6x8		1
22	870.050.200	Circlip d=50 - DIN 471		1
23	404.160.280	Bush Ø45/Ø16.2/Ø10 L=28		1
24	638.030.870	Chain Spanner 3/4" KSR16LO12101316		1
25	802.101.300	Bolt M10 x 130 - ISO 4014		4
26	622.105.356	Gearbox Comer T-281A 1:1.84 (281.009)		1
27	635.031.720	Sprocket 3/4" (12B) 27 teeth TL 2517		1
28	648.302.517	Taperlock 2517 - 30mm		1
29	638.030.250	Chain connector 3_4 inch 12B Simplex		1
30	864.140.030	Washer M14 - ISO 7089		1
31	864.100.030	Washer M10 - ISO 7089		5
32	830.100.100	Self Lock Nut M10 - ISO 10511		5
33	820.100.500	MH Bolt M10 x 50 ISO 8677		1
34	864.160.030	Washer M16 - ISO 7089		2
35	830.160.160	Self Lock Nut M16 - ISO 10511		6
36	866.100.020	Spring Washer M10 - DIN 127		2
37	804.100.300	Bolt M10 x 30 - ISO 4017		2
38	884.080.400	Key 8x7x40 - DIN 6885		1
39	884.080.220	Key 8x7x22 - DIN 6885		2
40	884.080.450	Key 8x7x45 - DIN 6885		1
41	802.160.600	Bolt M16 x 60 - ISO 4014		2
42	802.160.550	Bolt M16 x 55 - ISO 4014		4
43	864.080.030	Washer M8 - ISO 7089		4
44	866.080.020	Spring Washer M8 - DIN 127		4
45	804.080.200	Bolt M8 x 20 - ISO 4017		4



ITEM	PART NUMBER	DESCRIPTION	REMARKS	QUA
1	141022001	Splined push pin yoke		1
2	141022324	Complete collar yoke type 20		1
3	151012002	Inner tube yoke type 20		1
4	151012003	Outer tube yoke type 20		1
5	153120223	T20 Inner Tube		1
6	180012130	Cross and 4x circlip kit		2
7	190000011	Roll Pin 8 x 50		2
8	1422202469230	Complete guard 20-series		1
9	1521203250700	T20 Outer tube		1
	613.805.100	PTO T20 push pin complete		