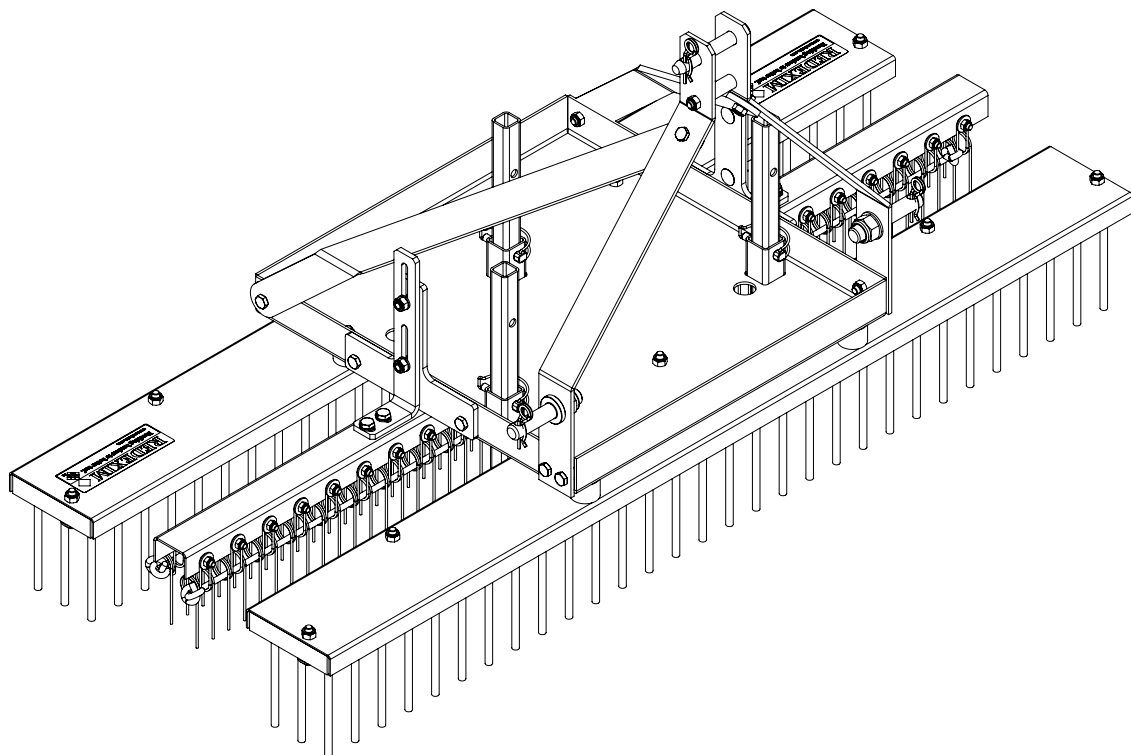
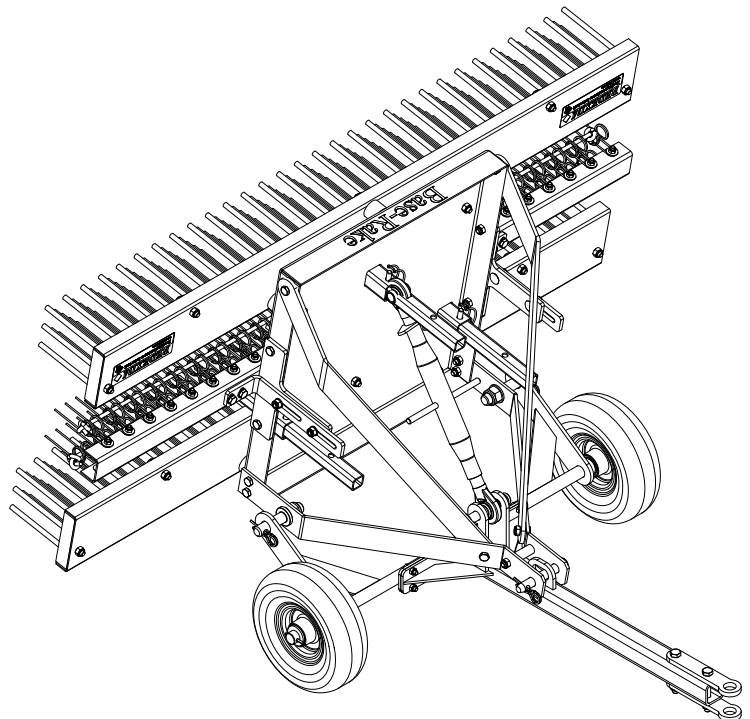
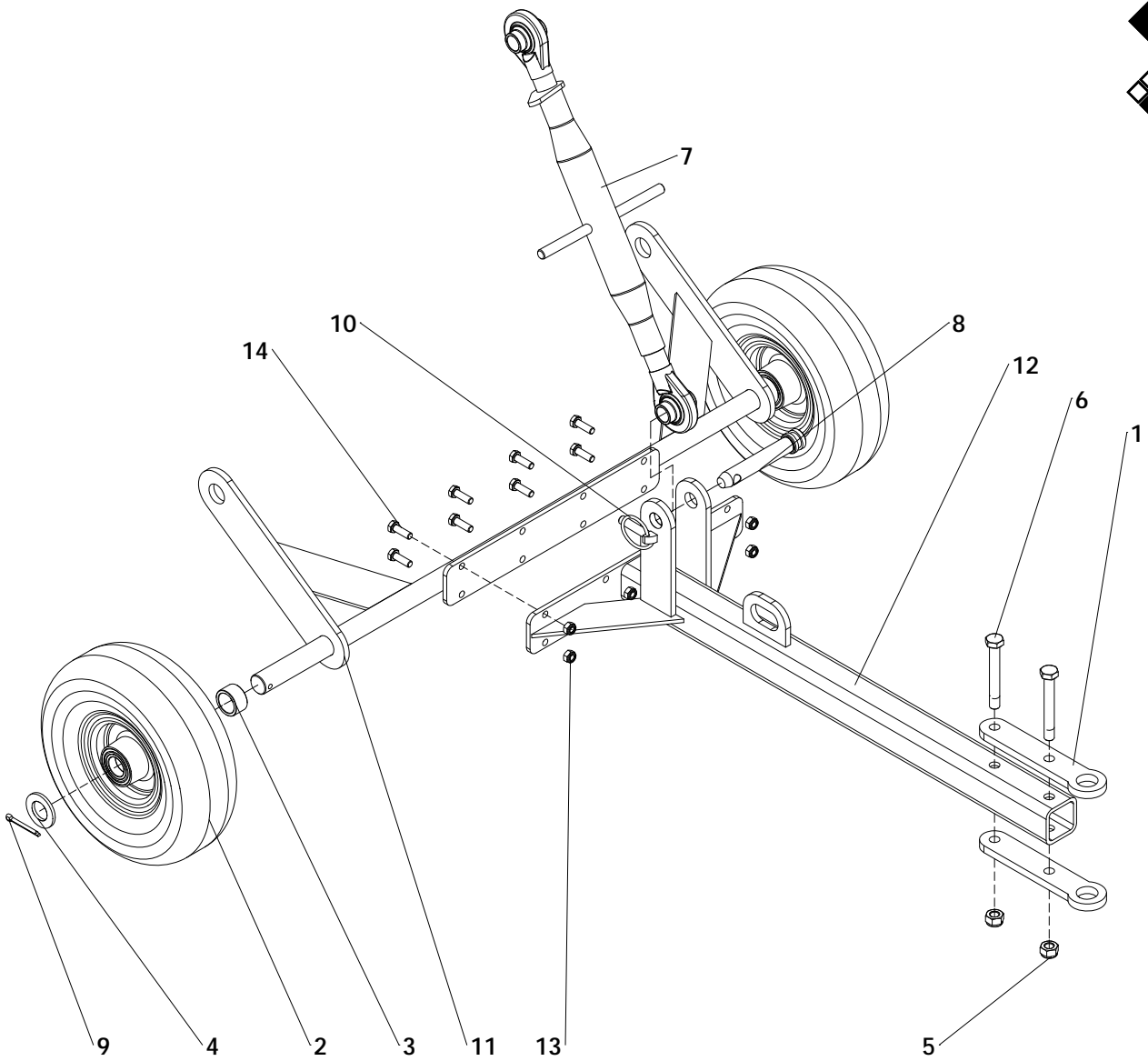
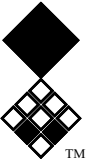


ITEM	PART NUMBER	DESCRIPTION	REMARKS	QUA
1	486.161.500	Brush Base Rake		2
2	468.039.152	Beam		1
3	361.103.157	Tine for rake VT		50
4	820.080.200	MH Bolt M8 x 20 ISO 8677		50
5	864.080.024	Large washer M8 - DIN 9021		50
6	830.080.080	Self Lock Nut M8 - ISO 10511		50
7	899.080.150	Rope For Spring Tines VR 1500		2
8	2490881	Bottom 3-Point Pin		2
9	2490825	Top Link Pin		1
10	523.030.750	R-Clip Round 3, DIN 11024		3
11	464.083.260	Mounting strip beam		2
12	464.087.902	Support strip left		1
13	464.087.900	Support strip right		1
14	468.039.151	Mounting plate brush		2
15	464.066.920	Link strip		2
16	406.130.602	Distance bush		1
17	468.082.402	Support plate		2
18	406.110.300	Bush Ø40 L=30		6
19	820.100.300	MH Bolt M10 x 30 ISO 8677		4
20	830.100.100	Self Lock Nut M10 - ISO 10511		35
21	864.100.030	Washer M10 - ISO 7089		8
22	916.260.100	Label Base-Rake		1
23	900.260.403	Logo Label		2
24	864.100.031	Large washer M10 - DIN 9021		14
25	802.100.850	Bolt M10 x 85 - ISO 4014		7
26	804.100.250	Bolt M10 x 25 - ISO 4017		16
27	802.100.500	Bolt M10 x 50 - ISO 4014		8
28	864.220.030	Washer M22 - ISO 7089		2
29	830.220.220	Self Lock Nut M22 - ISO 10511		2
30	470.045.880	Bin		1
31	478.503.540	Jack		3
32	523.100.700	Pipe linch pin Ø10		3





ITEM	PART NUMBER	DESCRIPTION	REMARKS	QUA
1	468.051.930	Pull eye		2
2	511.255.085	Wheel 8x3.00-4		2
3	402.250.180	Distance bush Ø33.5/Ø25.5 L=18.5		2
4	864.240.044	Washer M24 - ISO 7089		2
5	830.120.120	Self Lock Nut M12 - ISO 10511		2
6	802.120.900	Bolt M12 x 90 - ISO 4014		2
7	522.194.450	Toplink Cat. 1 L0=498 Stroke=200		1
8	521.191.120	Top Link Pin		1
9	882.050.400	Cotter Pin 5 x 40 - DIN 94		2
10	523.100.570	Linch Pin d10		1
11	494.093.028	Wheel bar		1
12	494.076.034	Tow bar		1
13	830.080.080	Self Lock Nut M8 - ISO 10511		8
14	804.080.250	Bolt M8 x 25 - ISO 4017		8
	262.150.000	Bogy Base Rake	Complete set item 1-14	