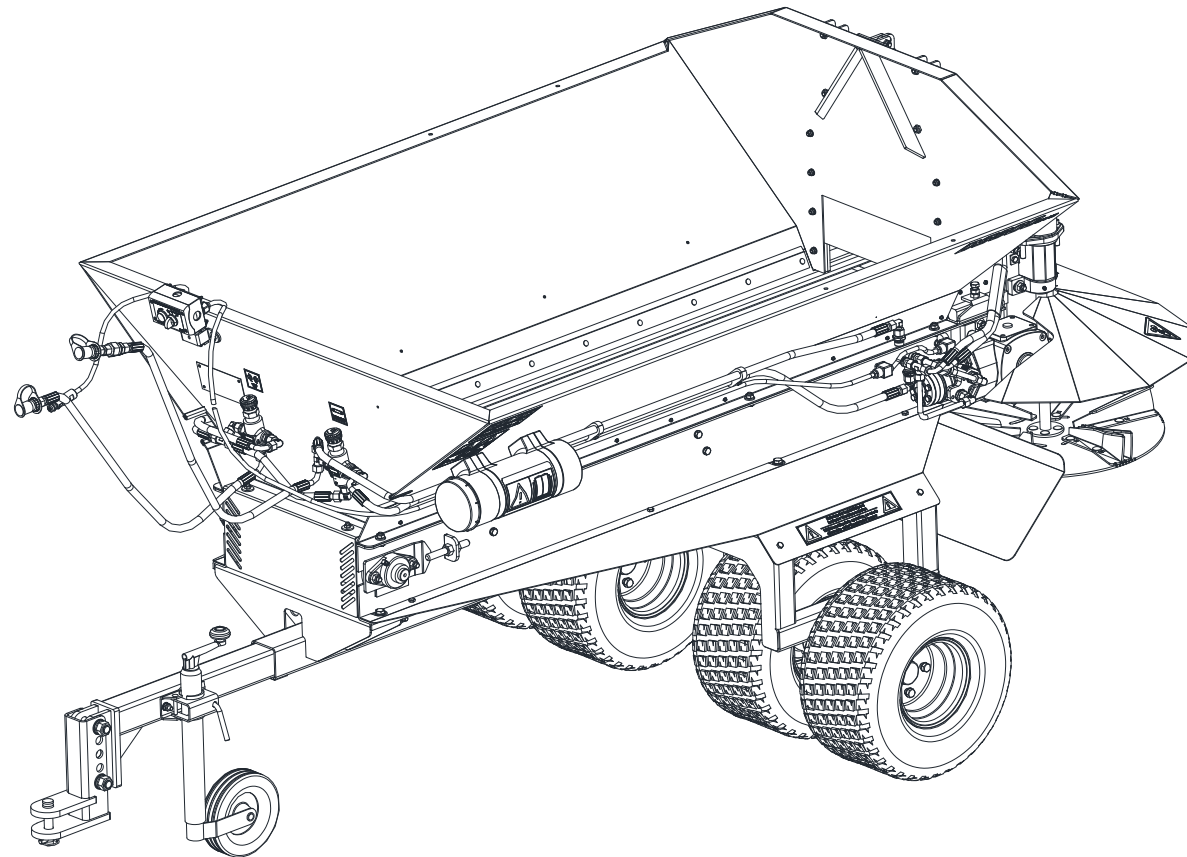


SPARE PARTS LIST - DS800evo



RINK Spezialmaschinen GmbH

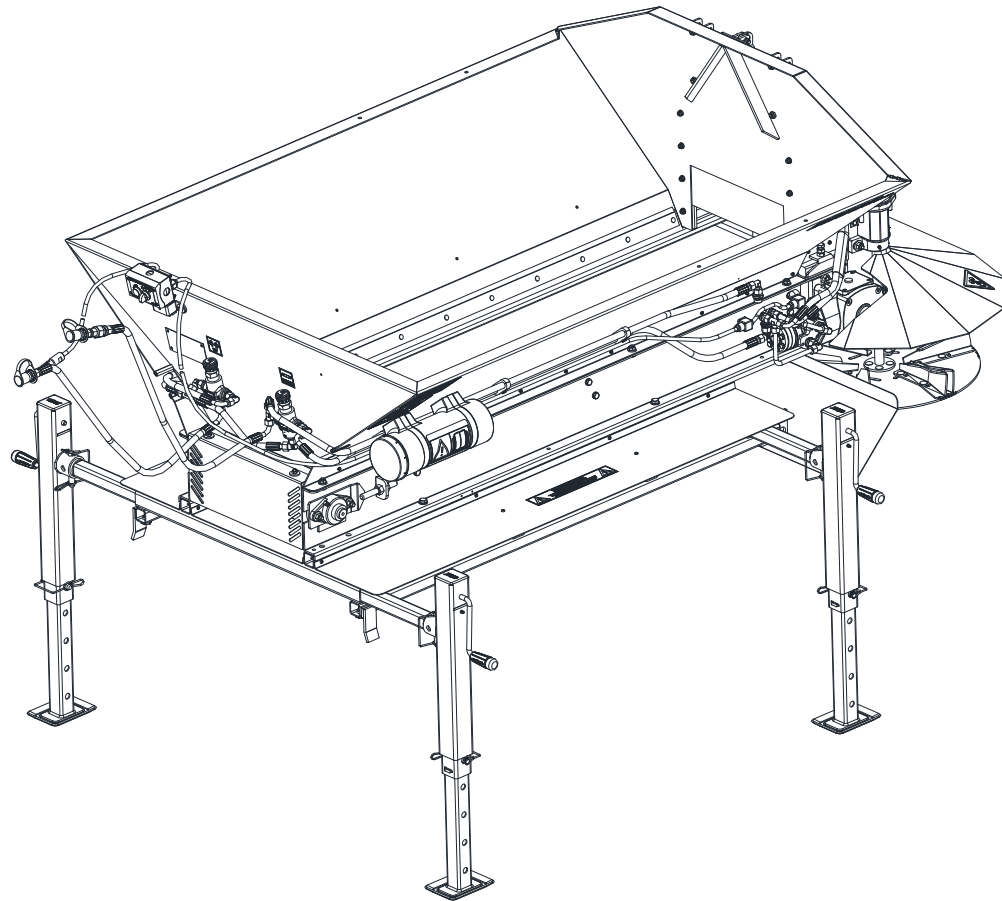
☎ +49-7520-95690

✉ info@rink-spezial.de

🌐 www.rink-spezial.de

📍 Alfons-Stübe-Weg 4, D-88279, Amtzell

SPARE PARTS LIST - DS800evo



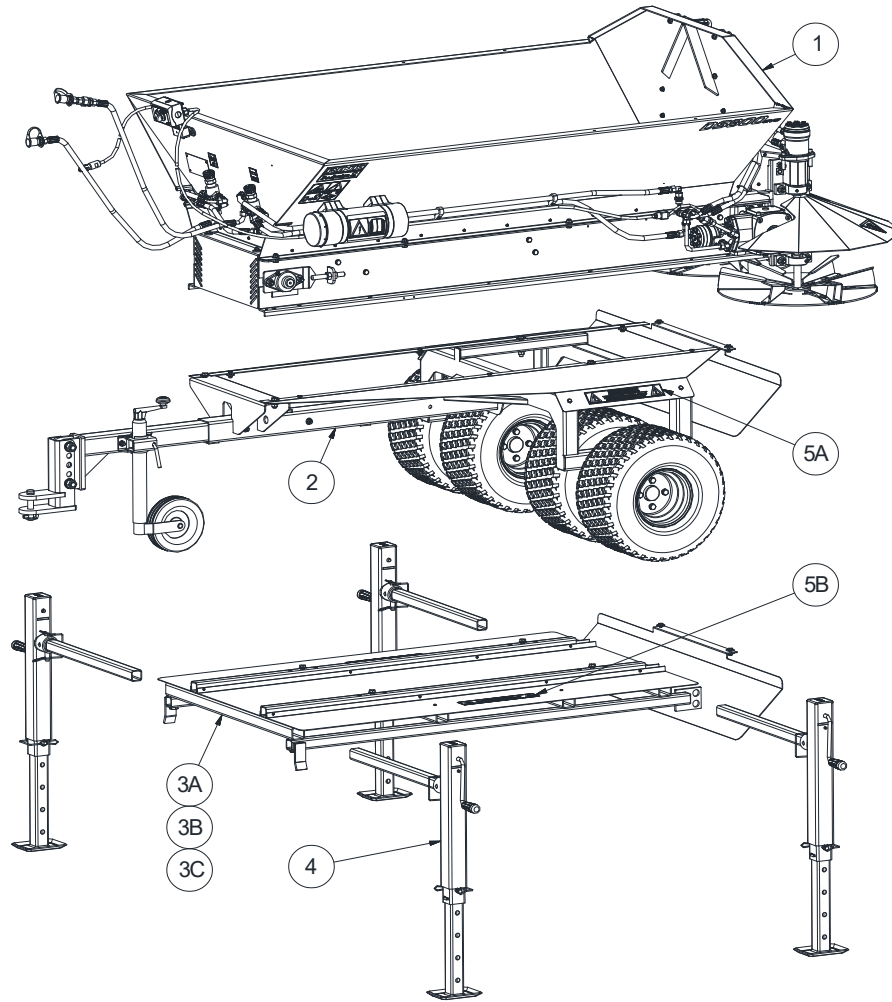
RINK Spezialmaschinen GmbH

☎ +49-7520-95690

✉ info@rink-spezial.de

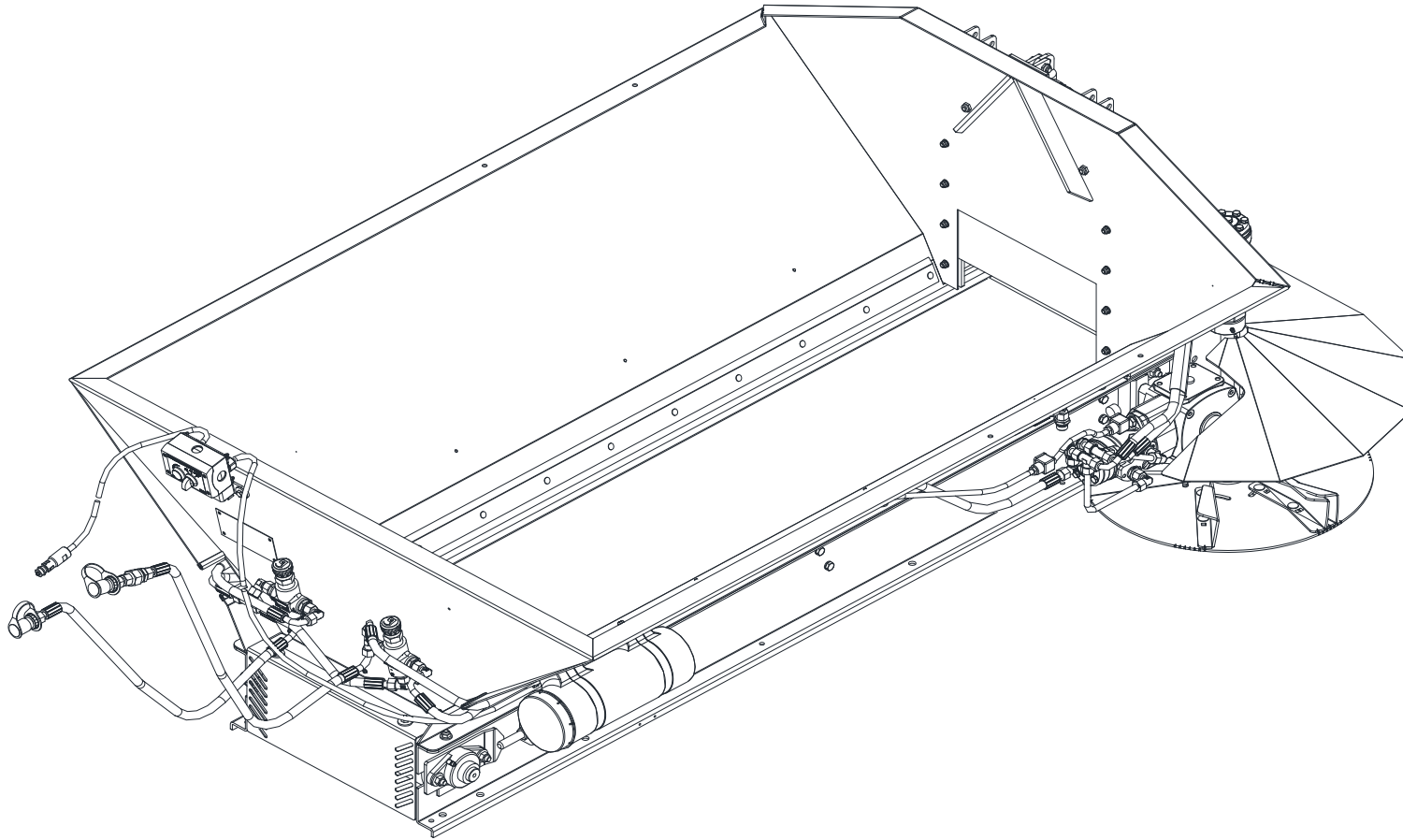
🌐 www.rink-spezial.de

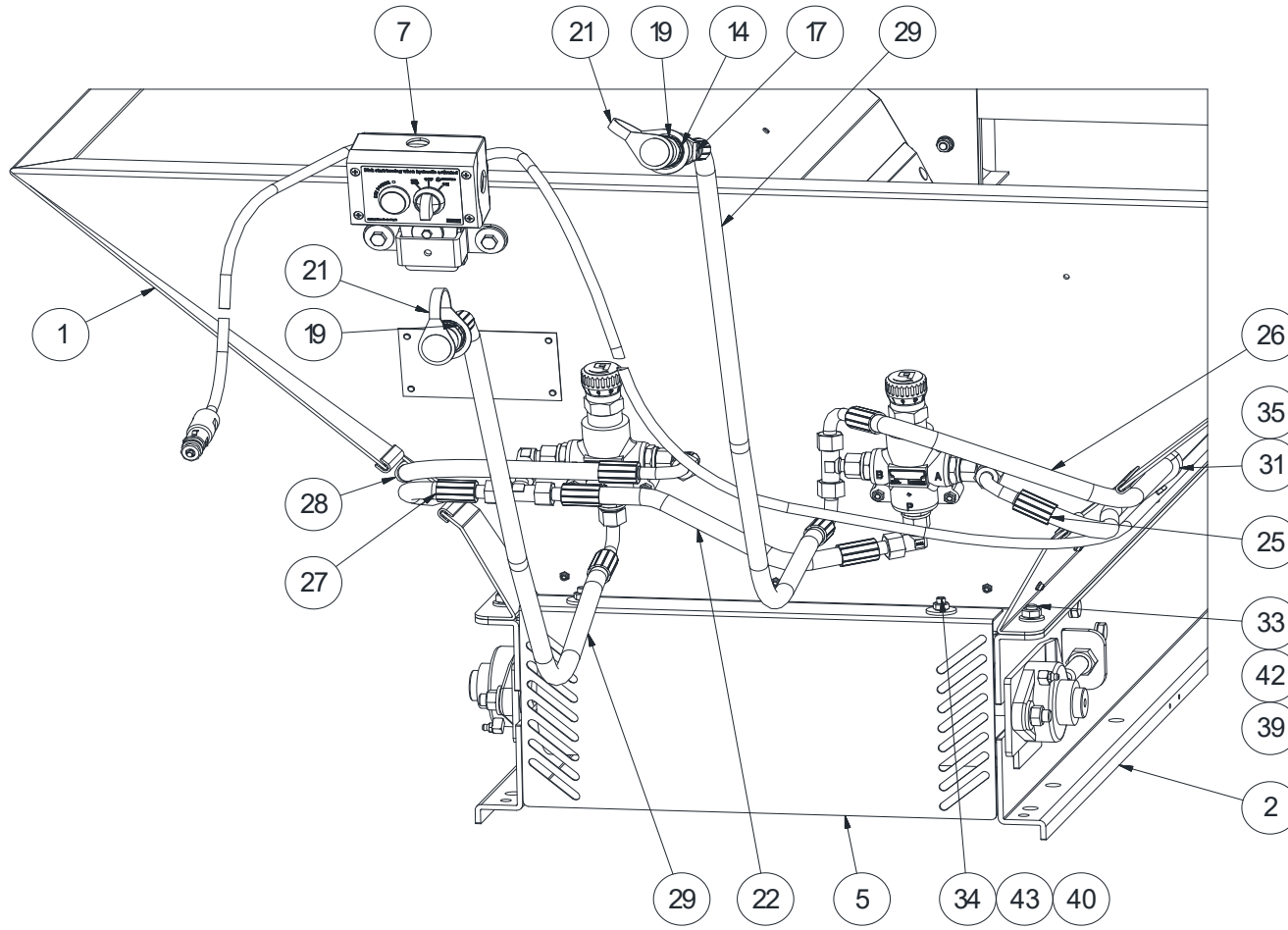
📍 Alfons-Stübe-Weg 4, D-88279, Amtzell

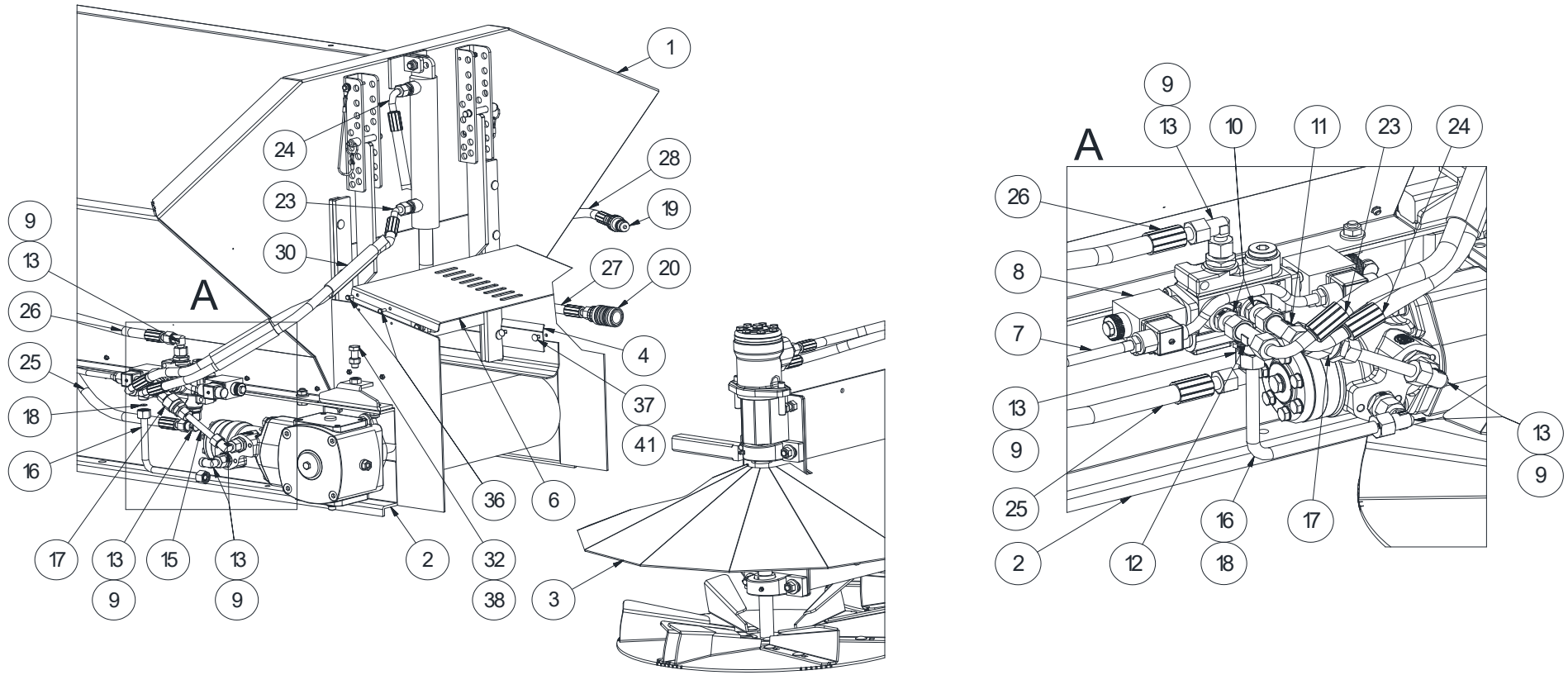


RINK**PULLED SPREADER DS800evo****16383**

POS.	ITEM NBR.	DESCRIPTION	QUANTITY	UNITY	LENGTH IN MM	WIDTH IN MM	HEIGHT IN MM	WEIGHT KG/UNIT
1	RGS 17770	Spreading unit DS800evo	1	Piece	2250	1500	1100	420,00
2	RGS 17895	Chassis kpl. DS800evo	1	Piece	2419	1737	728	201,00
3A	RGS 16433	Frame kpl. DS800 JD	1	Piece	1640	1030	210	65,67
3B	RGS 16093	Frame kpl. DS800 TORO	1	Piece	1500	1030	210	65,67
3C	RGS 17470	Frame kpl. DS800 TRUCKSTER	1	Piece	1640	1030	210	65,67
4	RGS 16245	Jack stand for parking	1	Piece				50,00
5A	RGS 16016	Label set DS800 - Chassis	1	Piece				
5B	RGS 16088	Label set DS800 - Top Frame	1	Piece				





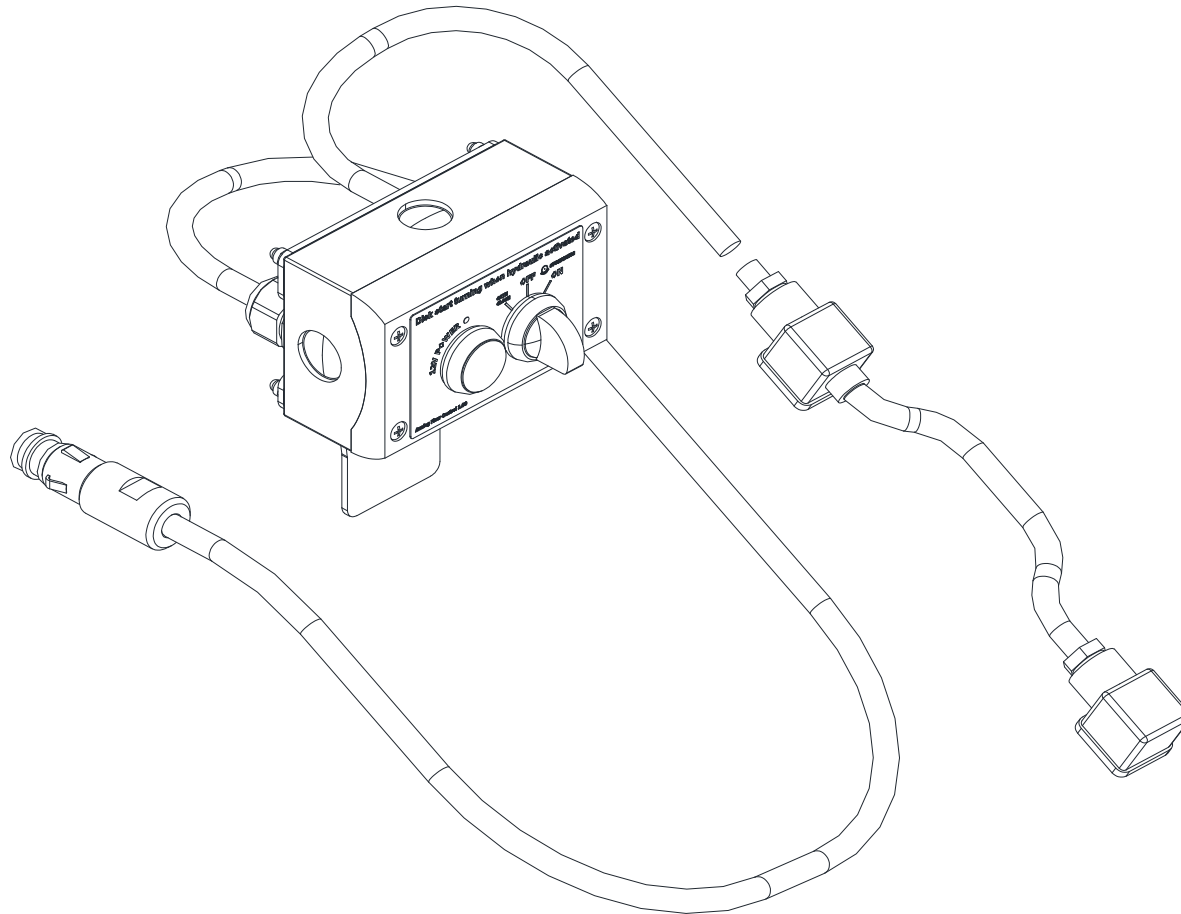


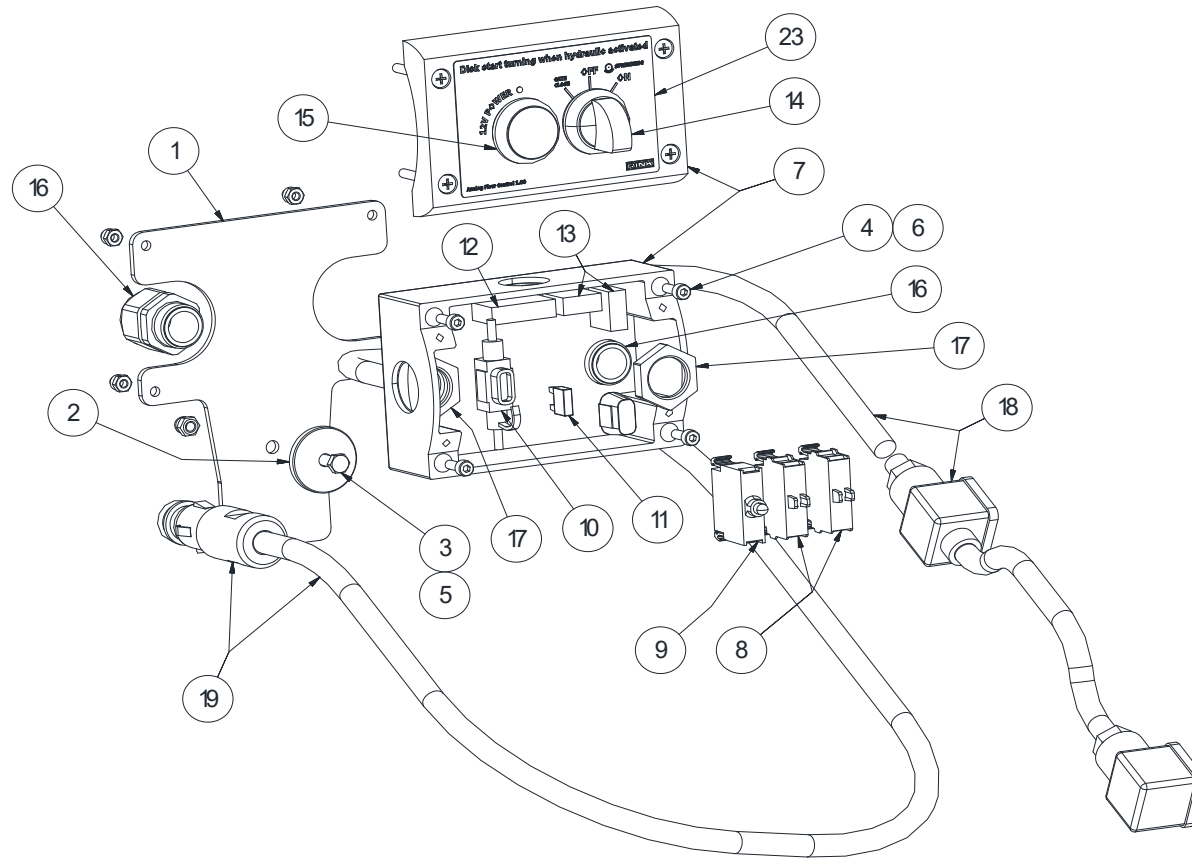
RINK**SPREADING UNIT DS800evo****17770**

POS.	ITEM NBR.	DESCRIPTION	QUANTITY	UNITY	LENGTH IN MM	WIDTH IN MM	HEIGHT IN MM	WEIGHT KG/UNIT
1	RGS 16000	Hopper DS800	1	Piece	2036	1400	667	116,138
2	RGS 16468	Conveyor belt complete L=2113mm	1	Piece	2113	700	410	138,360
3	RGS 16440	Spreading device complete DS	1	Piece	1290	700	647	85,128
4	RGS 16384	Rubber cover short DS	2	Piece	100	7	54	0,085
5	RGS 16377	Cover for front roller w=448mm	1	Piece	448	50	205	1,649
6	RGS 17588	Spreading mechanism cover DS800-3100	1	Piece	463	220	20	1,647
7	RGS 11520	Analog Flow Control Unit Cable length 6.0 m	1	Piece	250	250	150	1,500
8	RGS 10480	Control valve electric	1	Piece	272	96	82	1,950
9	RGS 10662	Hydraulic fitting 12L-1/2"	4	Piece				0,076
10	RGS 10008	Hydraulic fitting 12L-3/8"	2	Piece				0,080
11	544.124.126	Hydraulic fitting (Tee) 12L	1	Piece				0,087
12	RGS 11378	Hydraulic fitting (Tee)	1	Piece				0,087
13	544.180.400	Hydraulic fitting (90° angle) 12L	4	Piece				0,072
14	RGS 10040	Hydraulic fitting 12L	1	Piece				0,030
15	RGS 17789	Hydraulic fitting 12L 100mm	1	Piece				0,080
16	RGS 17788	90° connection 12L 238mm	1	Piece				0,071
17	RGS 10341	Return valve 12L	2	Piece				0,220
18	RGS 11528	Hydraulic hose	1	Piece	12	12	1	0,001
19	RGS 10747	Hydraulic plug BG3-12L	3	Piece				0,110
20	RGS 10744	Hydraulic sleeve KM 12L BG. 3	1	Piece				0,250
21	RGS 10835	Hydraulic connector dust cap	2	Piece				0,011
22	RGS 10659	Hydraulic hose NW 10x400	1	Piece				0,300
23	RGS 11596	Hydraulic hose NW 10x770	1	Piece				0,200
24	RGS 11597	Hydraulic hose NW 10x930	1	Piece				0,200
25	RGS 10742	Hydraulic hose NW 10x1950	1	Piece				0,200
26	RGS 10743	Hydraulic hose NW 10x2000	1	Piece				0,500
27	RGS 10740	Hydraulic hose NW 10x2250	1	Piece				0,800
28	RGS 10741	Hydraulic hose NW 10x2450	1	Piece				1,200

RINK**SPREADING UNIT DS800evo****17770**

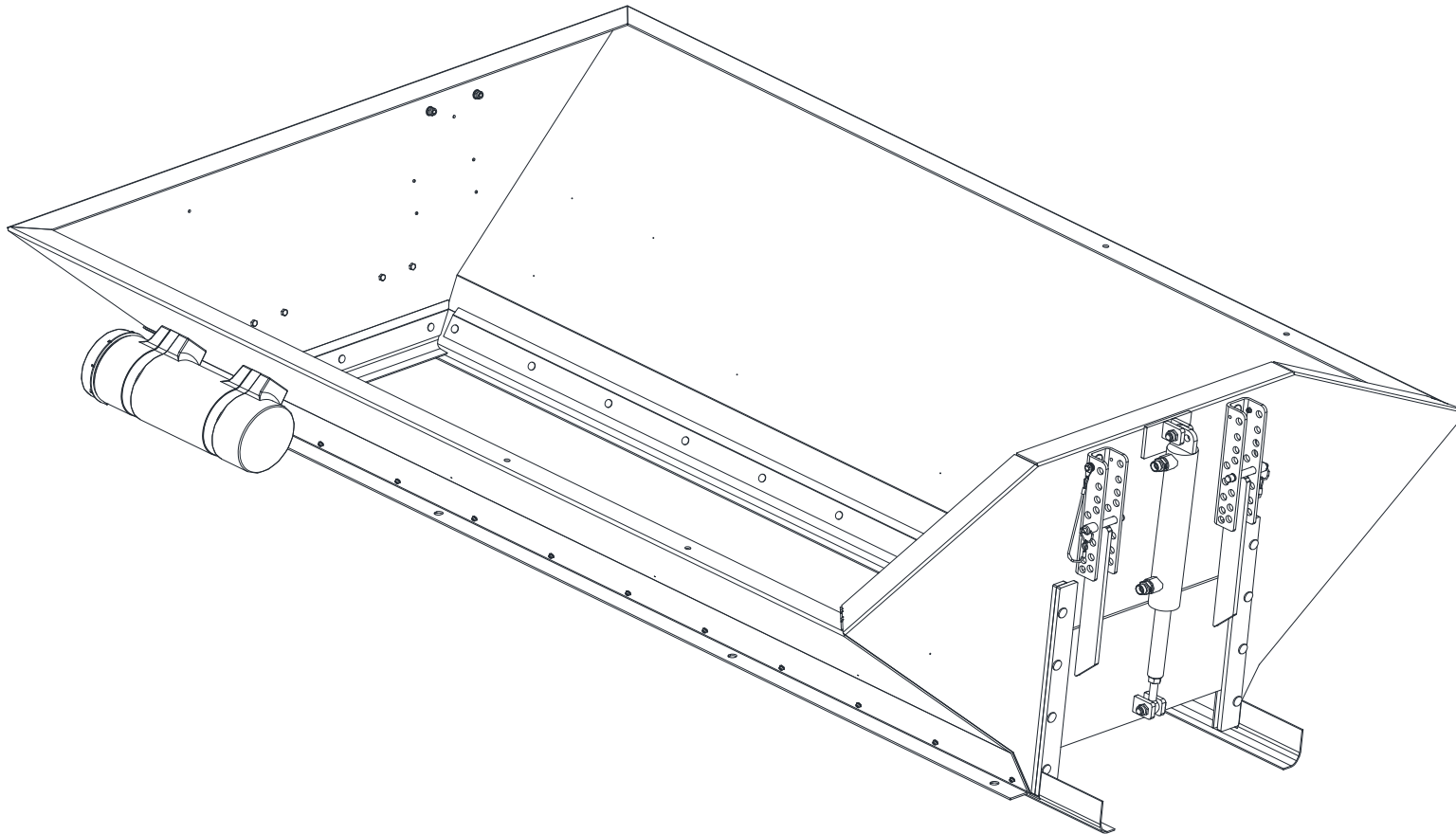
POS.	ITEM NBR.	DESCRIPTION	QUANTITY	UNITY	LENGTH IN MM	WIDTH IN MM	HEIGHT IN MM	WEIGHT KG/UNIT
29	RGS 10742	Hydraulic hose NW 10x1950	1	Piece				0,200
30	RGS 10938	Hose spiral 20-25	2	Meter	800	25	25	0,200
31	RGS 10745	Holder for hydraulic hose (12L) 17,2 PP	7	Piece	70	14	30	0,015
32	804.120.350	Hexagon bolt M12x35	2	Piece				0,047
33	804.100.250	Hexagon bolt M10x25	8	Piece				0,027
34	804.080.300	Hexagon bolt M8x30	2	Piece				0,017
35	804.060.350	Hexagon bolt M6x35	7	Piece				0,010
36	804.050.120	Hexagon bolt M5x12	4	Piece				0,003
37	RGS 10988	Truss head screw M5x16	4	Piece				0,006
38	826.120.120	Hexagon nut M12	2	Piece				0,016
39	826.100.100	Hexagon nut M10	8	Piece				0,011
40	826.080.080	Hexagon nut M8	4	Piece				0,050
41	826.050.050	Hexagon nut M5	4	Piece				0,001
42	866.100.020	Lock washer M10	16	Piece				0,006
43	RGS 10107	Washer 9x28	4	Piece				0,013

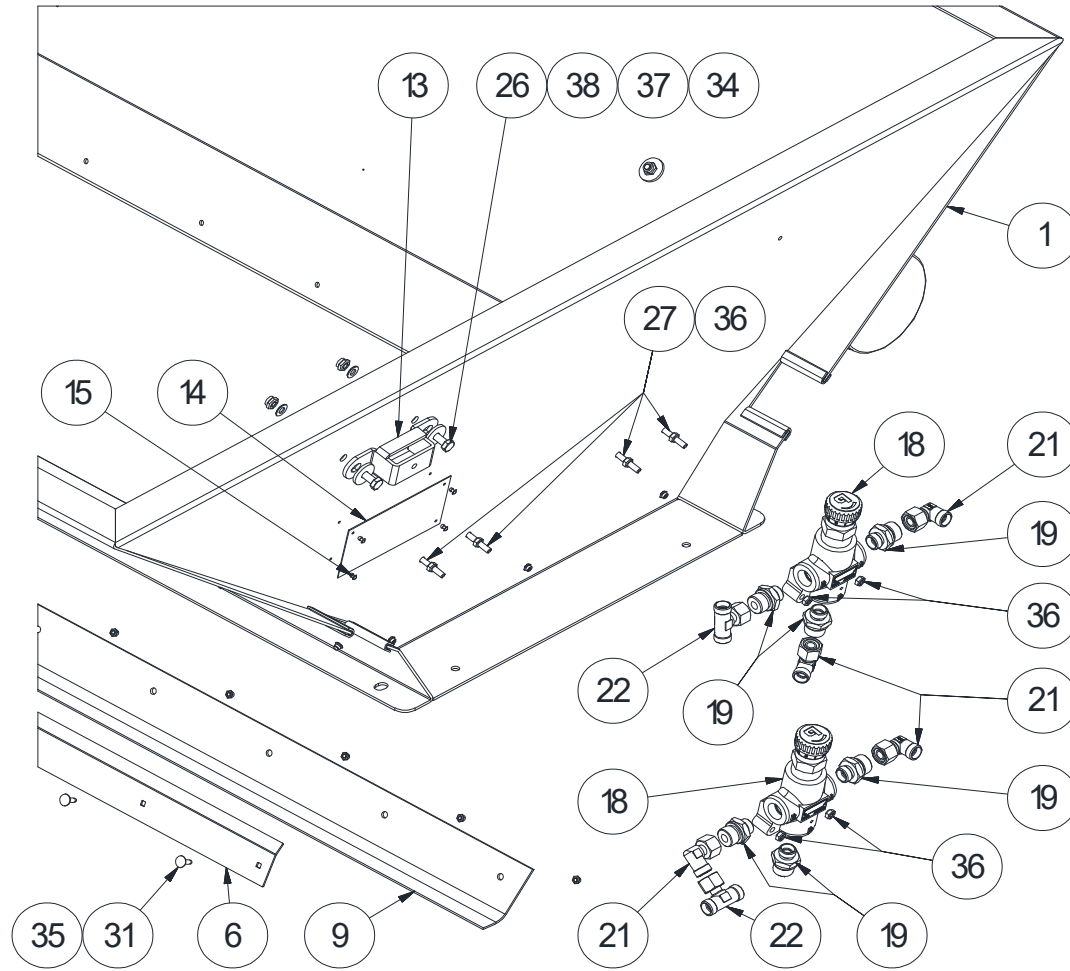




RINK	ANALOG FLOW CONTROL UNIT CABLE LENGTH 6,0 M	11520
-------------	--	--------------

POS.	ITEM NBR.	DESCRIPTION	QUANTITY	UNITY	LENGTH IN MM	WIDTH IN MM	HEIGHT IN MM	WEIGHT KG/UNIT
1	RGS 17705	Holding plate evo control	1	Piece	150	119	3	0,248
2	RGS 17609	Disk for control holder	1	Piece	30	30	7	0,115
3	804.050.160	Hexagon bolt M5x16	1	Piece				0,050
4	RGS 11272	Cylinder head screw M4x12	4	Piece				0,010
5	RGS 10984	Acorn nut M5	1	Piece				0,010
6	RGS 11273	Acorn nut M4	4	Piece				0,010
7	RGS 11504	Surface-mounted housing 2 installation points	1	Piece	120	80	56	0,300
8	RGS 11506	M22-K10 normally open	2	Piece				0,050
9	RGS 11505	M22 LED element Green	1	Piece				0,050
10	RGS 11509	Fuse holder	1	Piece				0,100
11	RGS 11517	Fuse small 7.5A (brown)	1	Piece	16	12	4	0,050
12	RGS 11540	Connection terminal 5	1	Piece	29,9	18,6	8,3	0,050
13	RGS 11539	Connection terminal 3	2	Piece	18,7	18,6	8,3	0,050
14	RGS 11507	M22 selection button 2 x 60°	1	Piece				0,050
15	RGS 11508	M22 flare white	1	Piece				0,050
16	RGS 11510	Cable gland M20 black	2	Piece				0,150
17	RGS 11511	M20 cable gland nut	2	Piece				0,050
18	RGS 11512	Cable with two valve plugs Length 6 meters	1	Piece				2,000
19	RGS 11502	12V Car plug with cable	1	Piece				0,150
20	RGS 11541	Chain 8 x 31 black	0,1	Meter				0,500
21	RGS 11542	Chain 8 x 31 red	0,3	Meter				0,500
22	RGS 11543	Wire end ferrule 1.00 mm²	6	Piece				0,050
23	RGS 11339	Label Analog Flow Control	1	Piece	93	62	0,01	0,010





RINK**HOPPER DS800evo****16000**

POS.	ITEM NBR.	DESCRIPTION	QUANTITY	UNITY	LENGTH IN MM	WIDTH IN MM	HEIGHT IN MM	WEIGHT KG/UNIT
1	RGS 16410	Hopper DS800	1	Piece	1902	1400	450	91,710
2	RGS 16360	Height stop DS	2	Piece	225	50	47	0,972
3	RGS 16359	Slider guide 25mm	2	Piece	400	25	8	0,608
4	RGS 16358	Slider guide 40mm	2	Piece	400	40	8	0,986
5	RGS 16409	Slider DS B=395mm	1	Piece	430	395	45	5,025
6	RGS 16376	Rubber clamp strip aside	2	Piece	1730	7	54	1,479
7	RGS 16375	Rubber clamp strip front	1	Piece	500	54	7	0,402
8	RGS 10739R	Rubber side strip right	1	Piece	1916	95	2,5	0,417
9	RGS 10739L	Rubber side strip left	1	Piece	1916	95	2,5	0,417
10	RGS 10738	Rubber front	1	Piece				0,094
11	RGS 16457	Hydraulic cylinder complete stroke 200mm	1	Piece	448	50	67	5,052
12	RGS 11168	Tool box for machines	1	Piece	350	131	158	1,929
13	RGS 11023	Bracket	1	Piece	136	40	38	0,228
14	RGS 10533	Serial plate	1	Piece				0,030
15	RGS 10220	Rivet 3x10	4	Piece				0,001
16	RGS 11320	Locking pin for slide opening	2	Piece	89	28	20	0,092
17	RGS 11321	Retaining rope for bolts	2	Piece	200	15	10	0,015
18	RGS 10336	Flow regulator 25 l	2	Piece	143	74	44	1,600
19	RGS 10028	Hydraulic fitting 12L-M22x1,5	6	Piece				0,083
20	RGS 10660	Hydraulic fitting 12L-3/8"	2	Piece				0,040
21	544.180.400	Hydraulic fitting (90° angle) 12L	4	Piece				0,072
22	544.124.126	Hydraulic fitting (Tee) 12L	2	Piece				0,087
23	RGS 10268	Edge protection with steel insert	4	Piece				0,000
24	804.120.450	Hexagon bolt M12x45	1	Piece				0,055
25	804.120.400	Hexagon bolt M12x40	1	Piece				0,053
26	804.080.200	Hexagon bolt M8x20	4	Piece				0,014
27	804.060.350	Hexagon bolt M6x35	4	Piece				0,010
28	804.050.160	Hexagon bolt M5x16	23	Piece				0,050

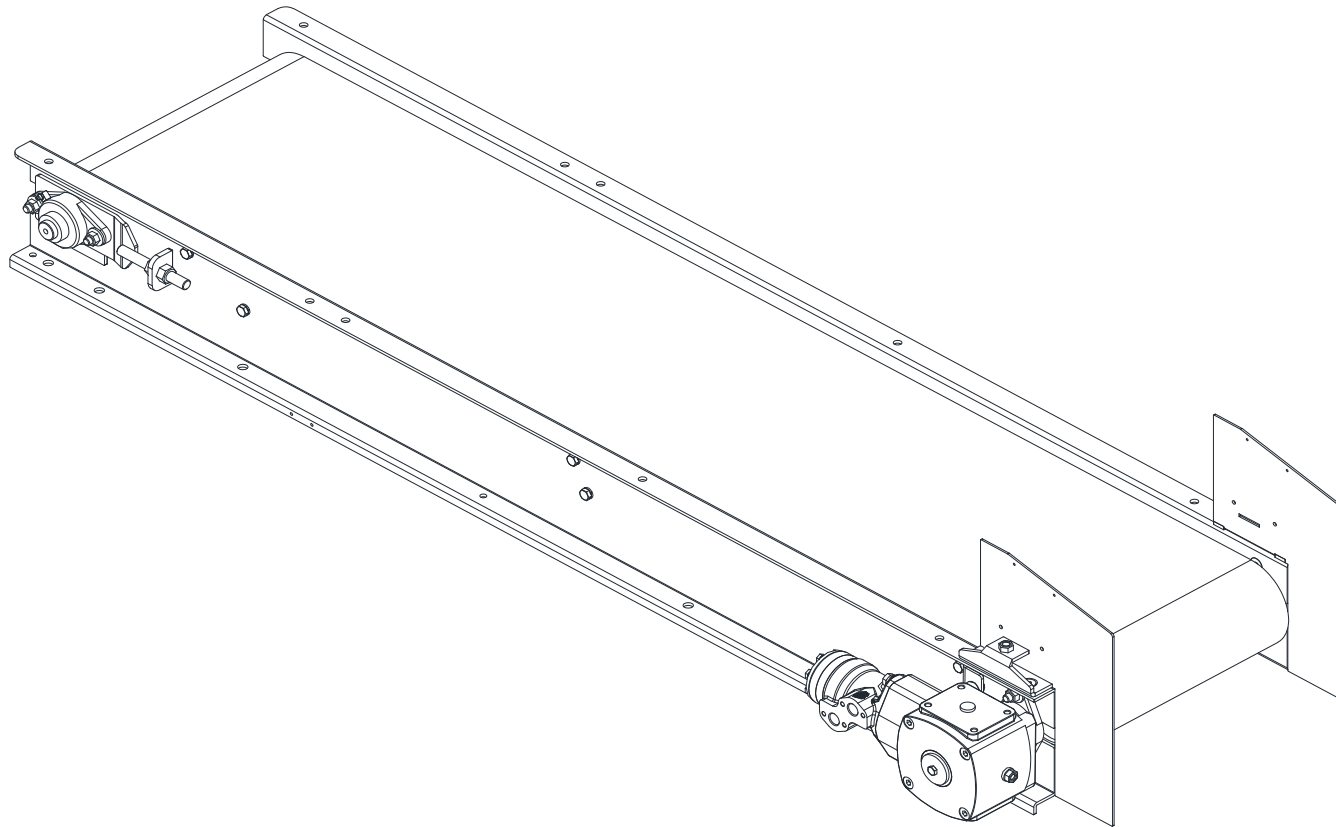
RINK**HOPPER DS800evo****16000**

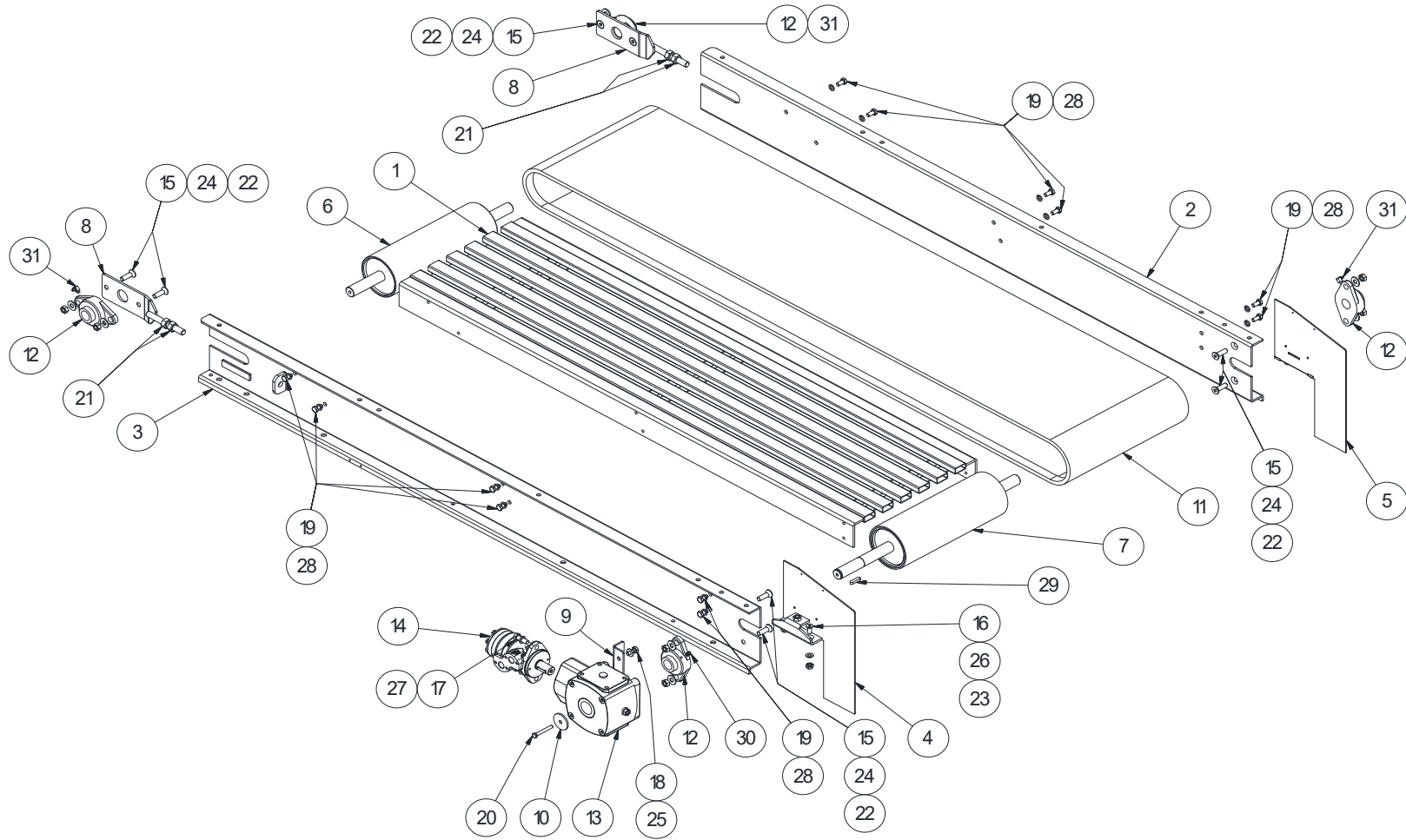
POS.	ITEM NBR.	DESCRIPTION	QUANTITY	UNITY	LENGTH IN MM	WIDTH IN MM	HEIGHT IN MM	WEIGHT KG/UNIT
29	816.100.202	Countersunk screw M10x20	4	Piece				0,017
30	RGS 11370	Truss head screw M8x30	8	Piece				0,016
31	RGS 10988	Truss head screw M5x16	25	Piece				0,006
32	830.120.120	Hexagon lock nut M12	2	Piece				0,013
33	830.100.100	Hexagon lock nut M10	4	Piece				0,013
34	830.080.080	Hexagon lock nut M8	12	Piece				0,005
35	830.050.050	Hexagon lock nut M5	27	Piece				0,003
36	826.060.060	Hexagon nut M6	8	Piece				0,010
37	864.080.030	Washer M8	10	Piece				0,002
38	RGS 10107	Washer 9x28	4	Piece				0,013
39	RGS 10639	Washer 5,3x15	6	Piece				0,001

RINK

CONVEYOR BELT COMPLETE L=2113mm

16468



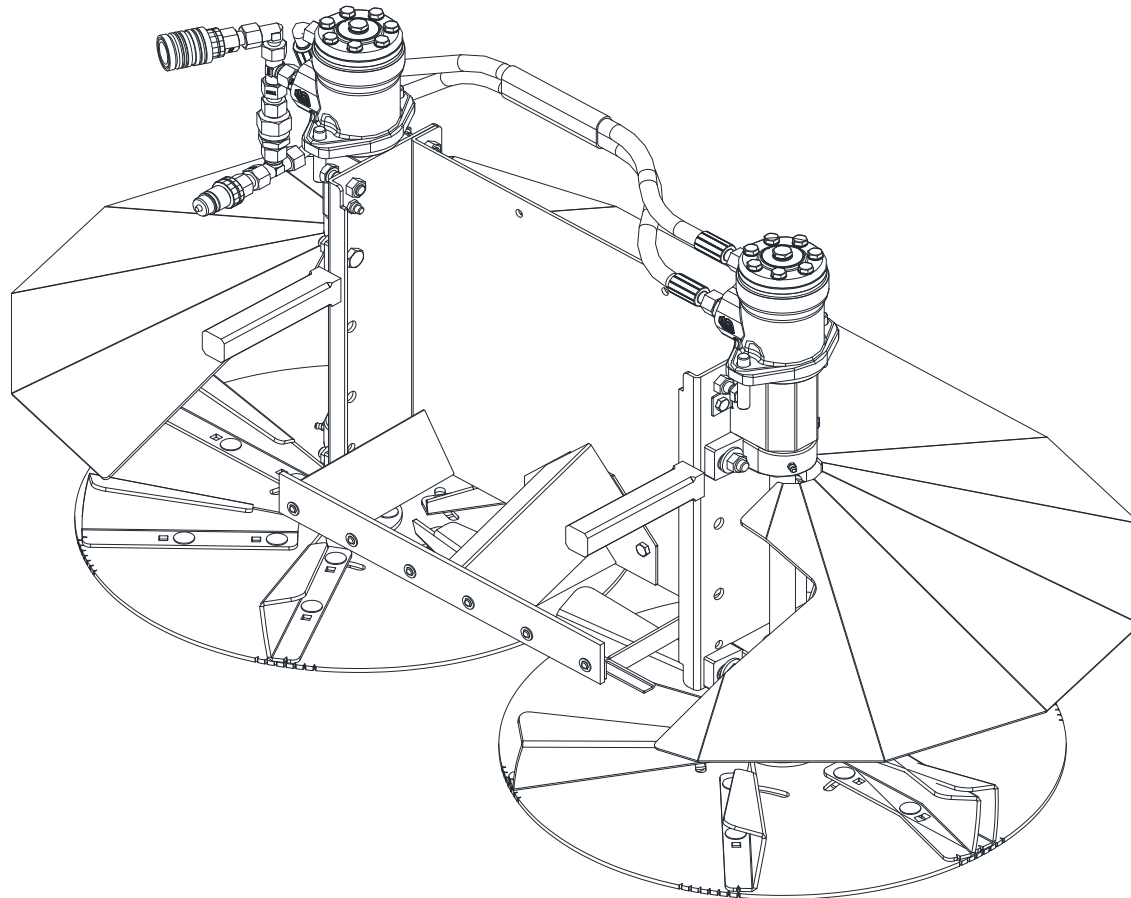


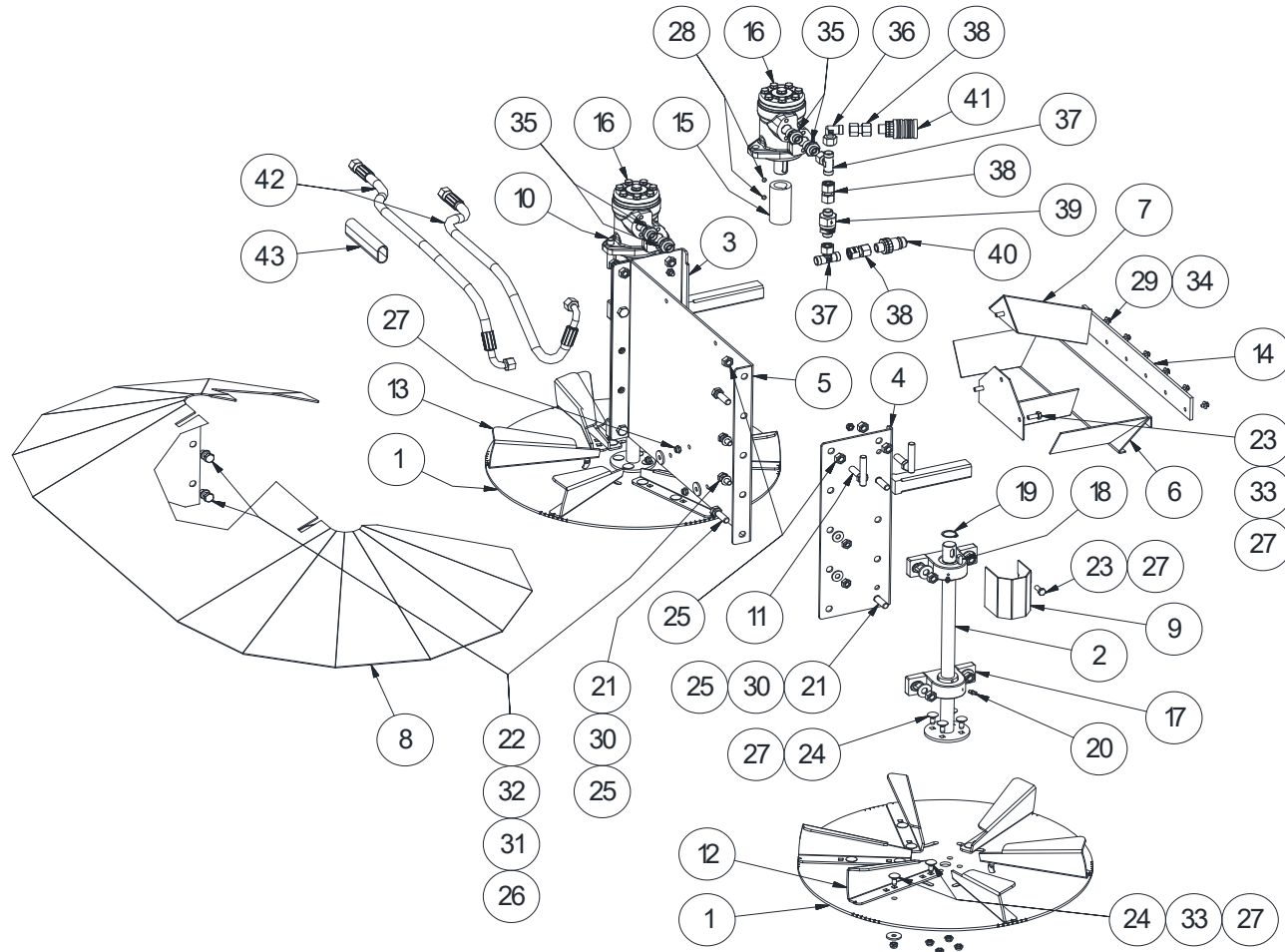
RINK**CONVEYOR BELT COMPLETE L=2113mm****16468**

POS.	ITEM NBR.	DESCRIPTION	QUANTITY	UNITY	LENGTH IN MM	WIDTH IN MM	HEIGHT IN MM	WEIGHT KG/UNIT
1	RGS 16339	Conveyor floor L=1650mm	1	Piece	1650	450	85	38,612
2	RGS 16330L	Side panel left L=2000mm	1	Piece	2000	210	45	22,127
3	RGS 16330R	Side panel right L=2000mm	1	Piece	2000	210	45	22,123
4	RGS 16331L	Bracket for spreading unit (left) H=395mm	1	Piece	395	258	45	2,112
5	RGS 16331R	Bracket for spreading unit (right) H=395mm	1	Piece	395	258	45	2,104
6	RGS 16326	Front roller L=580mm	1	Piece	580	125	125	11,496
7	RGS 16325	Rear roller L=652mm	1	Piece	652	133	133	12,435
8	RGS 16112	Clamping device	2	Piece	310	80	28	0,850
9	RGS 16249	Torque support for conveyor belt drive system	1	Piece	184	40	40	0,416
10	RGS 15385	Disc Ø11/50 x 5mm	1	Piece				0,073
11	RGS 10726	Conveyor belt width=430mm	1	Piece				13,000
12	742.300.400	Flange bearing Ø 30mm	4	Piece				1,253
13	RGS 10511	Conveyor belt gear	1	Piece				10,000
14	RGS 10523	Hydraulic motor	1	Piece				7,000
15	816.120.400	Countersunk screw M12x40	8	Piece				0,043
16	816.100.252	Countersunk screw M10x25	4	Piece				0,020
17	804.120.350	Hexagon bolt M12x35	2	Piece				0,047
18	804.100.250	Hexagon bolt M10x25	2	Piece				0,027
19	804.100.200	Hexagon bolt M10x20	12	Piece				0,230
20	804.080.600	Hexagon bolt M8x60	1	Piece				0,020
21	826.160.160	Hexagon nut M16	4	Piece				0,040
22	826.120.120	Hexagon nut M12	8	Piece				0,016
23	830.100.100	Hexagon lock nut M10	4	Piece				0,013
24	866.120.020	Lock washer M12	8	Piece				0,100
25	866.100.020	Lock washer M10	2	Piece				0,006
26	RGS 10196	Washer B10	4	Piece				0,050
27	RGS 10136	Spring washer A12	2	Piece				0,004

RINK	CONVEYOR BELT COMPLETE L=2113mm	16468
-------------	--	--------------

POS.	ITEM NBR.	DESCRIPTION	QUANTITY	UNITY	LENGTH IN MM	WIDTH IN MM	HEIGHT IN MM	WEIGHT KG/UNIT
28	RGS 10135	Spring washer A10	12	Piece				0,003
29	884.080.320	Feather key A8x7x35	1	Piece				0,015
30	RGS 10351	Grease fitting M6 H2	1	Piece				0,010
31	RGS 10007	Grease fitting M6 H3	3	Piece				0,001



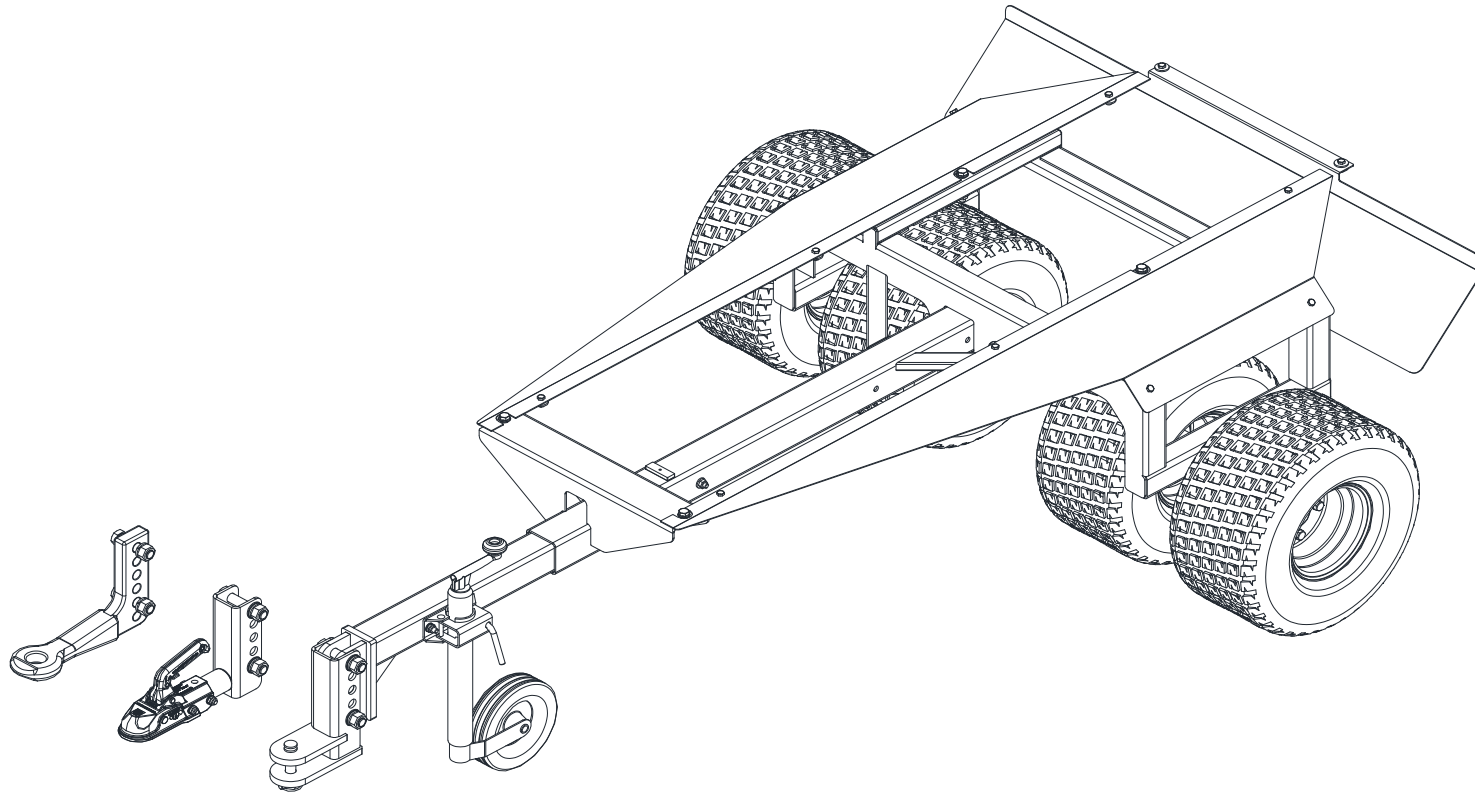


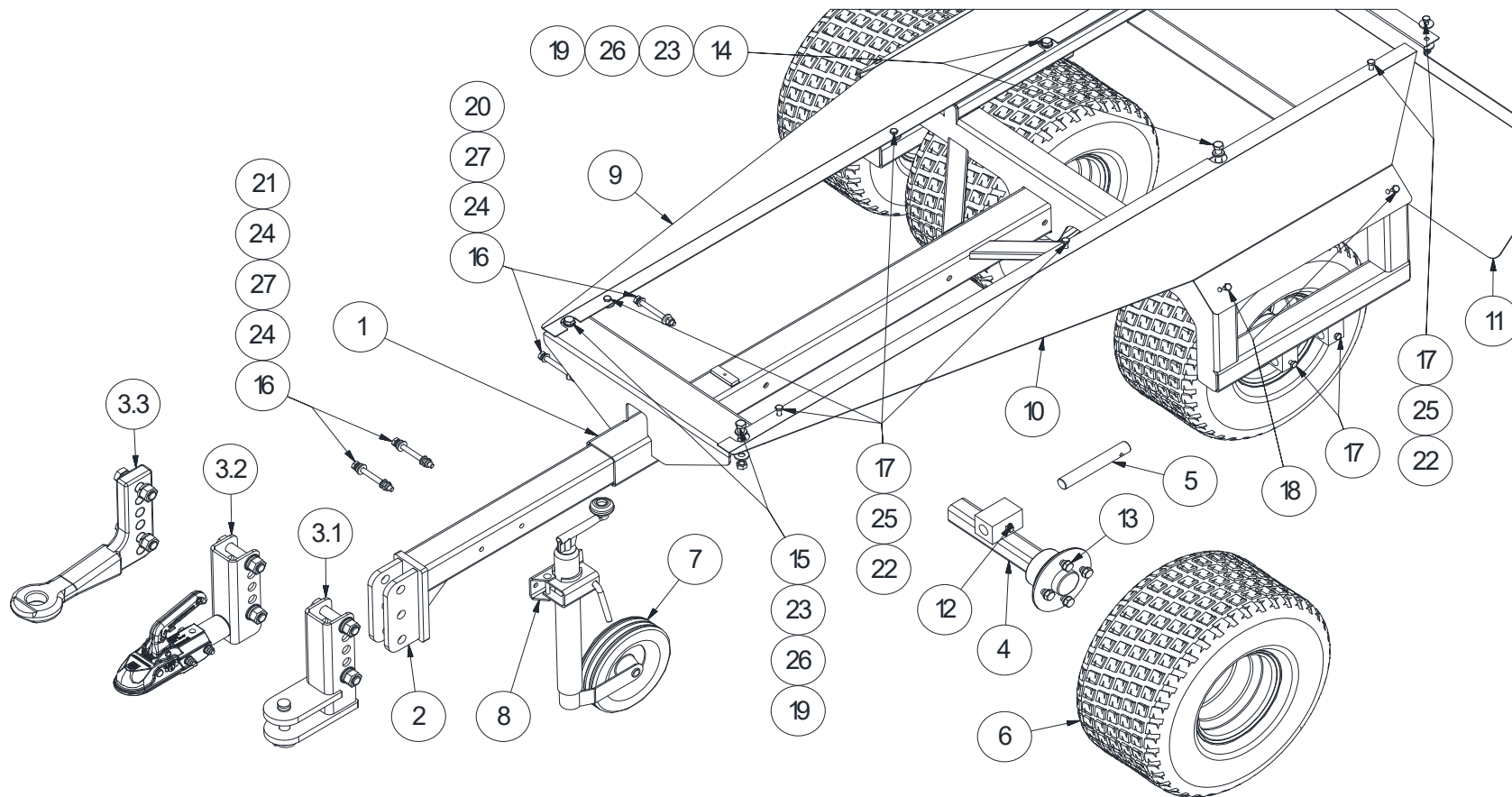
RINK**SPREADING DEVICE COMPLETE DS800evo****16440**

POS.	ITEM NBR.	DESCRIPTION	QUANTITY	UNITY	LENGTH IN MM	WIDTH IN MM	HEIGHT IN MM	WEIGHT KG/UNIT
1	RGS 16301	Spreader disc Ø 550 mm	2	Piece	550	550	5	9,144
2	RGS 16329	Spreading disc shaft L=435mm	2	Piece	435	85	85	1,872
3	RGS 16337	Adapter for spreading disc left	1	Piece	400	310	35	3,193
4	RGS 17602	Adapter for spreading disc right	1	Piece	400	310	35	3,166
5	RGS 16305	Spreader plate rear wall w=500mm	1	Piece	500	400	36	7,094
6	RGS 16352	Spreading unit wedge w=440mm	1	Piece	440	110	69	2,364
7	RGS 16403	Wedge complete L=200mm	1	Piece	201	119	54	0,552
8	RGS 16404	Disc cover	1	Piece	1290	700	204	15,157
9	RGS 16381	Schaft cover	2	Piece	96	71	90	0,268
10	RGS 16379L	Torque arm L=65mm	2	Piece	65	59,5	19	0,110
11	RGS 16379R	Torque arm L=65mm	2	Piece	65	59,5	19	0,110
12	RGS 16353R	Stainless steel vane L=210mm right	6	Piece	211	78	43	0,628
13	RGS 16353L	Stainless steel vane L=210mm left	7	Piece	211	78	43	0,596
14	RGS 10796	Scraper rubber DS550-3100	1	Piece				0,121
15	RGS 15137	Connecting sleeve inside Ø25mm length 80mm	2	Piece	80	40	40	0,459
16	532.251.500	Hydraulic motor	2	Piece	190	130	100	6,000
17	RGS 10133	Pillow block bearing Ø25 mm	4	Piece				1,116
18	884.080.200	Feather key 8x7x20	2	Piece				0,020
19	870.025.120	Circlip 25x1,2	2	Piece				0,002
20	RGS 10497	Pillow block bearing Ø25 mm (Bearing UCP 205 D1**)	4	Piece				0,010
21	804.120.400	Hexagon bolt M12x40	8	Piece				0,053
22	804.100.250	Hexagon bolt M10x25	4	Piece				0,027
23	804.080.200	Hexagon bolt M8x20	4	Piece				0,014
24	RGS 10370	Truss head screw M8x20	32	Piece				0,016
25	826.120.120	Hexagon nut M12	16	Piece				0,016
26	826.100.100	Hexagon nut M10	4	Piece				0,011
27	830.080.080	Hexagon lock nut M8	37	Piece				0,005
28	818.080.080	Grub screw M8x8	4	Piece				0,050

RINK**SPREADING DEVICE COMPLETE DS800evo****16440**

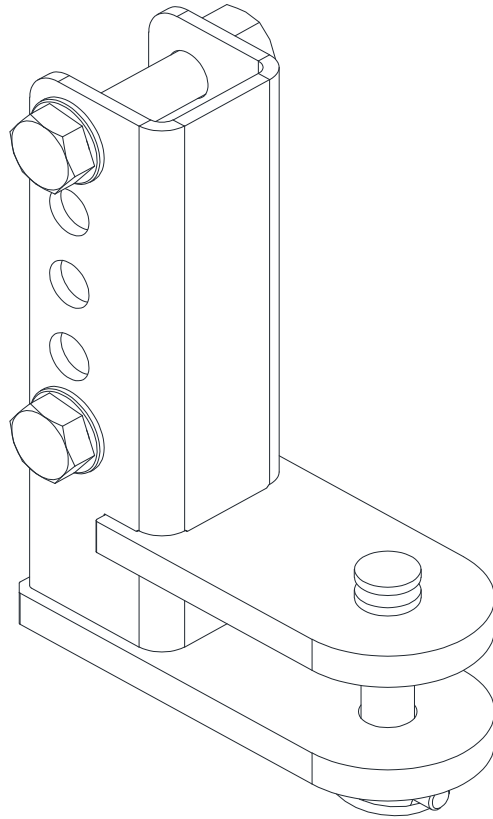
POS.	ITEM NBR.	DESCRIPTION	QUANTITY	UNITY	LENGTH IN MM	WIDTH IN MM	HEIGHT IN MM	WEIGHT KG/UNIT
29	RGS 10219	Rivet 5x16	6	Piece				0,003
30	866.120.022	Lock washer M12	8	Piece				0,100
31	866.100.020	Lock washer M10	4	Piece				0,006
32	RGS 10196	Washer B10	4	Piece				0,050
33	RGS 10107	Washer 9x28	26	Piece				0,013
34	RGS 10639	Washer 5,3x15	6	Piece				0,001
35	RGS 10662	Hydraulic fitting 12L-1/2"	4	Piece				0,076
36	544.180.400	Hydraulic fitting (90° angle) 12L	1	Piece				0,072
37	544.124.126	Hydraulic fitting (Tee) 12L	2	Piece				0,087
38	RGS 10040	Hydraulic fitting 12L	3	Piece				0,030
39	RGS 10341	Return valve 12L	1	Piece				0,220
40	RGS 10747	Hydraulic plug BG3-12L	1	Piece				0,110
41	RGS 10744	Hydraulic sleeve KM 12L BG. 3	1	Piece				0,250
42	RGS 10967	Hydraulic hose NW 10x 780	2	Piece				0,400
43	RGS 10938	Hose spiral 20-25	1	Meter	800	25	25	0,200

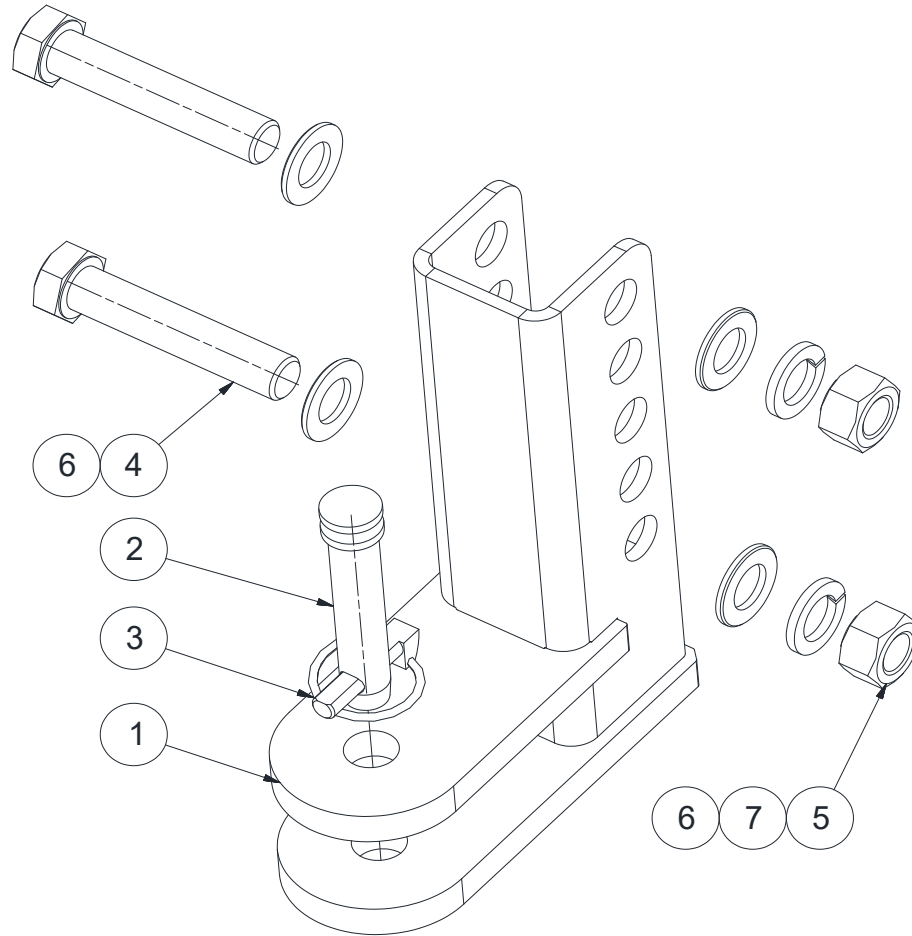




RINK**CHASSIS DS800evo****17895**

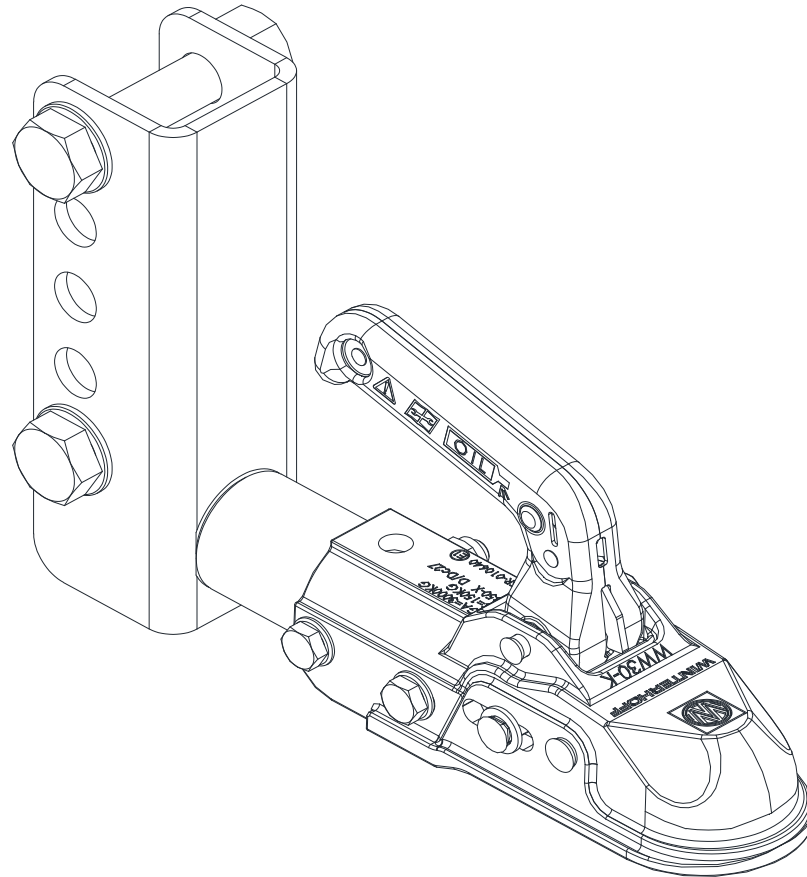
POS.	ITEM NBR.	DESCRIPTION	QUANTITY	UNITY	LENGTH IN MM	WIDTH IN MM	HEIGHT IN MM	WEIGHT KG/UNIT
1	RGS 17684	Wheel chassis	1	Piece	1649	1020	375	39,651
2	RGS 17281	Multi Drawbar for Height-Adjustable Attachments: Ball Head, Towing Eye, Drawbar Pendulum	1	Piece	1390	80	205	19,977
3.1	RGS 17813	Mounting hitch bottom attachment DS800-1200 / 1010-1210	1	Piece	295	200	113	6,527
3.2	RGS 16101	Drawbar for ball hitch DS800-1200 / 1010-1210	1	Piece	230	341	113	6,979
3.3	RGS 15674	Drawbar towing eye DS800-1200 / 1010-1210	1	Piece	345	100	230	8,500
4	RGS 16138	No-brake axle 360mm	2	Piece	396	150	150	13,148
5	RGS 16137	Bolt Ø25mm L=170	2	Piece				0,652
6	RGS 10734	Complete wheel and tyre 20x10.00-8	4	Piece				5,000
7	RGS 10727	Support Leg	1	Piece				3,000
8	RGS 10024	Holder for support leg	1	Piece				0,896
9	RGS 17817	Wheel cover DS800 right	1	Piece	1800	285	106	5,240
10	RGS 17818	Wheel cover	1	Piece	1800	285	106	5,240
11	RGS 16312	Protective plate (bent 45°)	1	Piece	1300	321	43	6,392
12	RGS 10628	Grease fitting M8 H3	2	Piece				0,013
13	RGS 10687	Cable	16	Piece				1,000
14	804.120.700	Hexagon bolt M12x70	2	Piece				0,050
15	804.120.300	Hexagon bolt M12x30	2	Piece				0,050
16	802.101.100	Hexagon bolt M10x100	4	Piece				0,071
17	804.080.200	Hexagon bolt M8x20	12	Piece				0,014
18	804.080.120	Hexagon bolt M8x12	4	Piece				0,011
19	826.120.120	Hexagon nut M12	4	Piece				0,016
20	826.100.100	Hexagon nut M10	2	Piece				0,011
21	830.100.100	Hexagon lock nut M10	2	Piece				0,013
22	830.080.080	Hexagon lock nut M8	8	Piece				0,005
23	RGS 10197	Washer B12	4	Piece				0,006
24	RGS 10196	Washer B10	6	Piece				0,050
25	RGS 10107	Washer 9x28	10	Piece				0,013
26	866.120.020	Lock washer M12	4	Piece				0,100
27	866.100.020	Lock washer M10	4	Piece				0,006

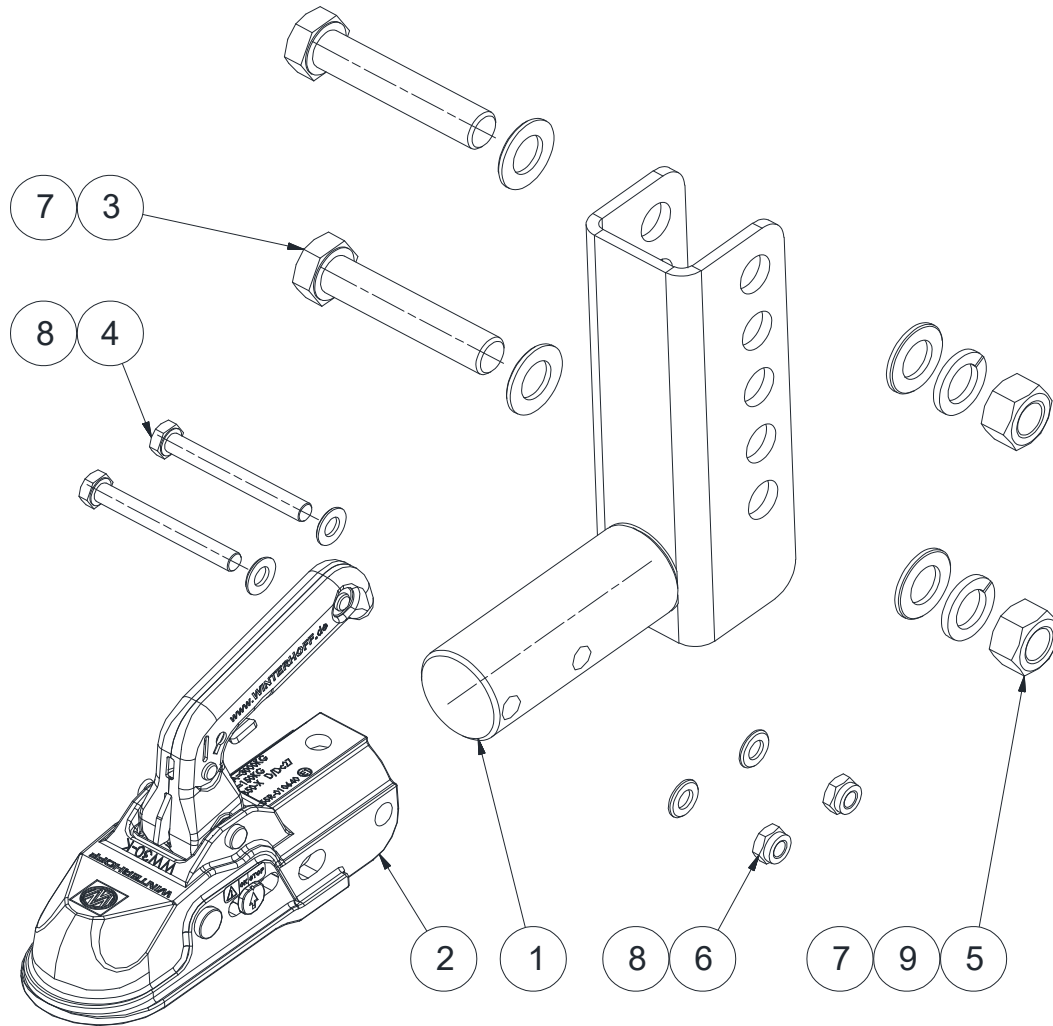




RINK	MOUNTING HITCH BOTTOM ATTACHMENT	17813
-------------	---	--------------

POS.	ITEM NBR.	DESCRIPTION	QUANTITY	UNITY	LENGTH IN MM	WIDTH IN MM	HEIGHT IN MM	WEIGHT KG/UNIT
1	RGS 17702	Towbar	1	Piece	267	200	80	21,582
2	RGS 11409	Pin for hitch	1	Piece				0,333
3	RGS 10584	Locking pin	1	Piece				0,005
4	802.201.000	Hexagon bolt M20x100	2	Piece				0,050
5	826.200.200	Hexagon nut M20	2	Piece				0,050
6	RGS 10488	Washer B21	4	Piece				0,050
7	RGS 10139	Spring washer A20	2	Piece				0,050





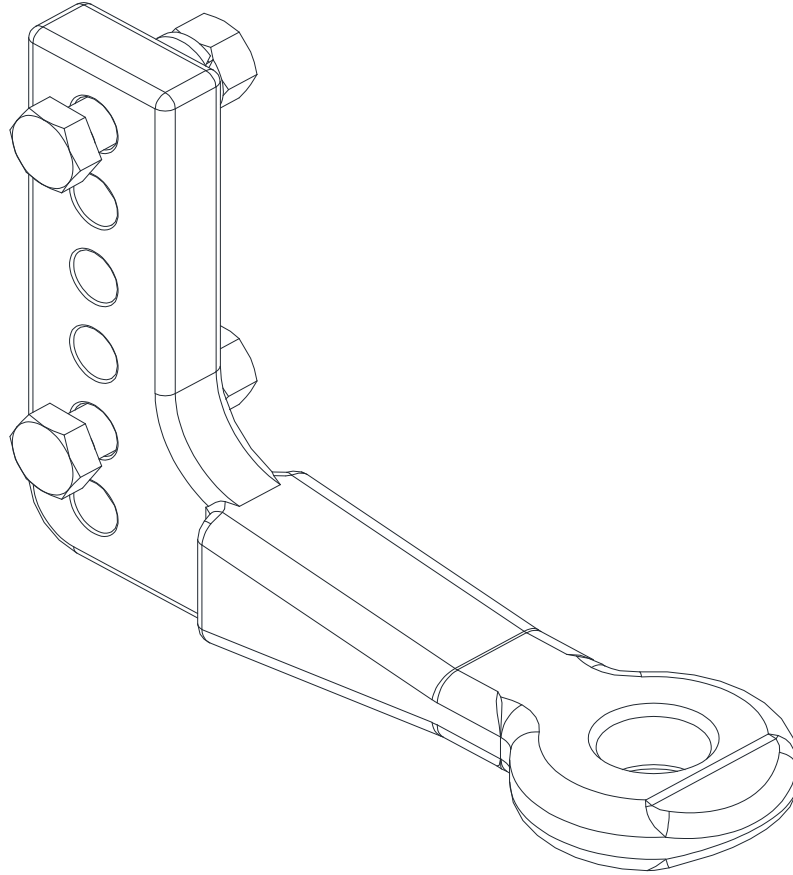
RINK	DRAWBAR FOR BALL HITCH	16101
-------------	-------------------------------	--------------

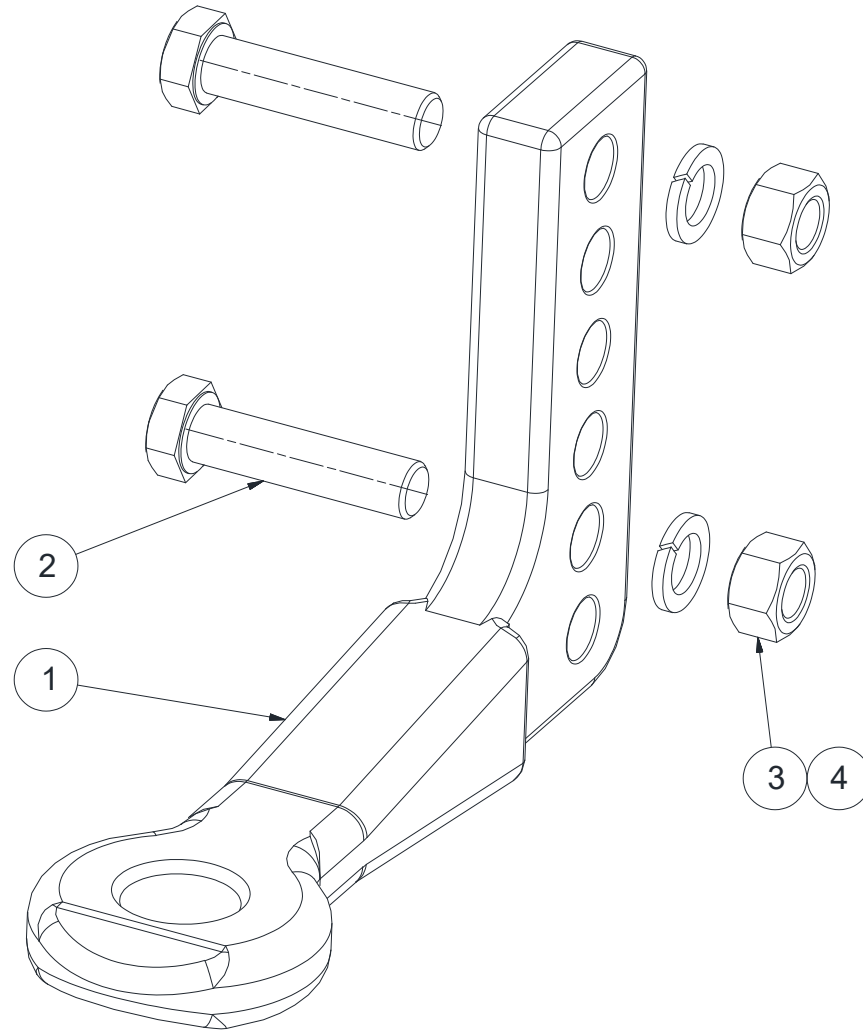
POS.	ITEM NBR.	DESCRIPTION	QUANTITY	UNITY	LENGTH IN MM	WIDTH IN MM	HEIGHT IN MM	WEIGHT KG/UNIT
1	RGS 17551	Ball head trailer DS/GS holder	1	Piece	230	210	50	0,000
2	RGS 10602	Ball head hitch	1	Piece	0	0	0	0,800
3	802.201.000	Hexagon bolt M20x100	2	Piece	0	0	0	0,050
4	804.100.850	Hexagon bolt M10x85	2	Piece	0	0	0	0,027
5	826.200.200	Hexagon nut M20	2	Piece	0	0	0	0,050
6	830.100.100	Hexagon lock nut M10	2	Piece	0	0	0	0,013
7	RGS 10488	Washer B21	4	Piece	0	0	0	0,050
8	RGS 10196	Washer B10	4	Piece	0	0	0	0,050
9	RGS 10139	Spring washer A20	2	Piece	0	0	0	0,050

RINK

DRAWBAR TOWING EYE

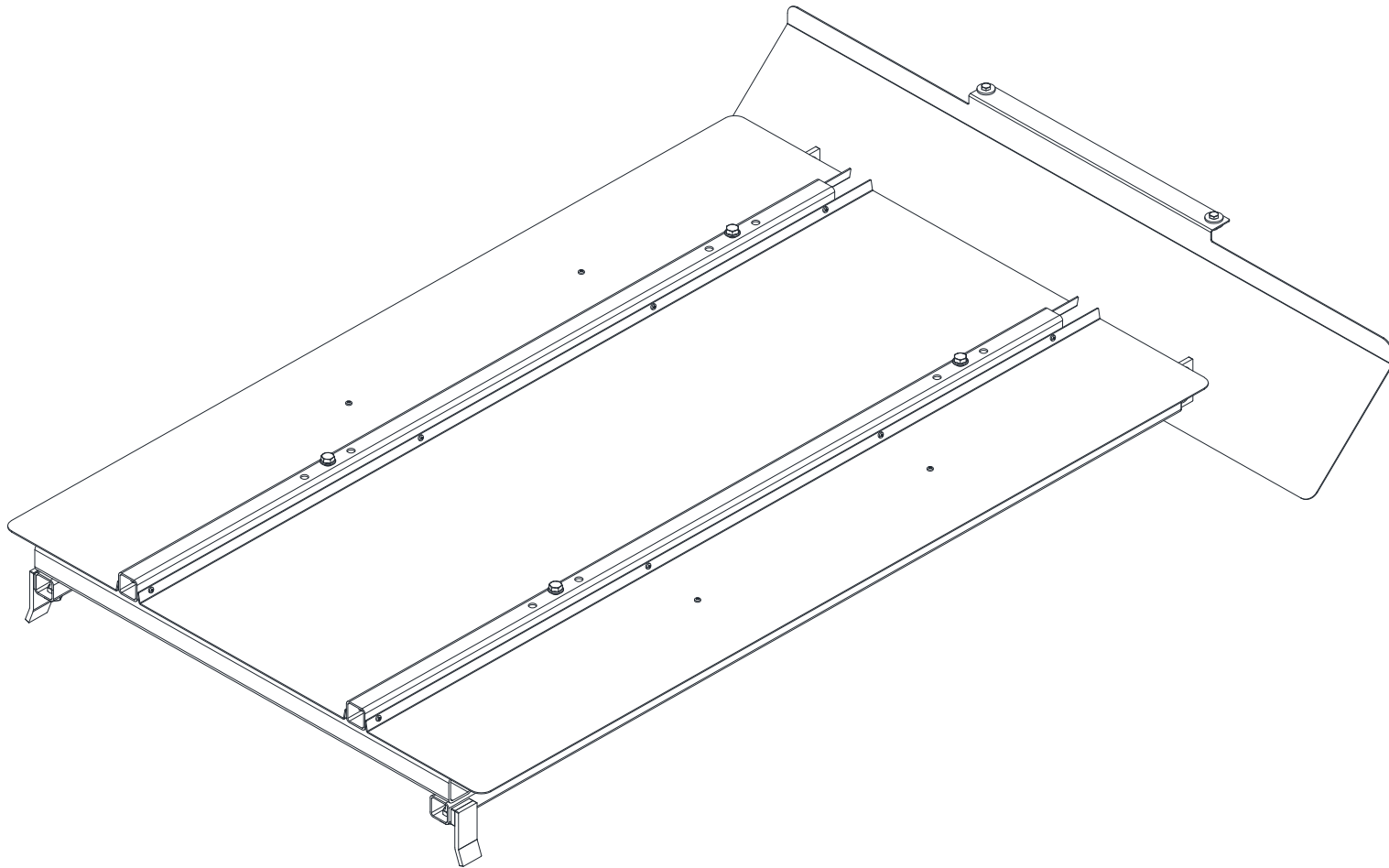
15674

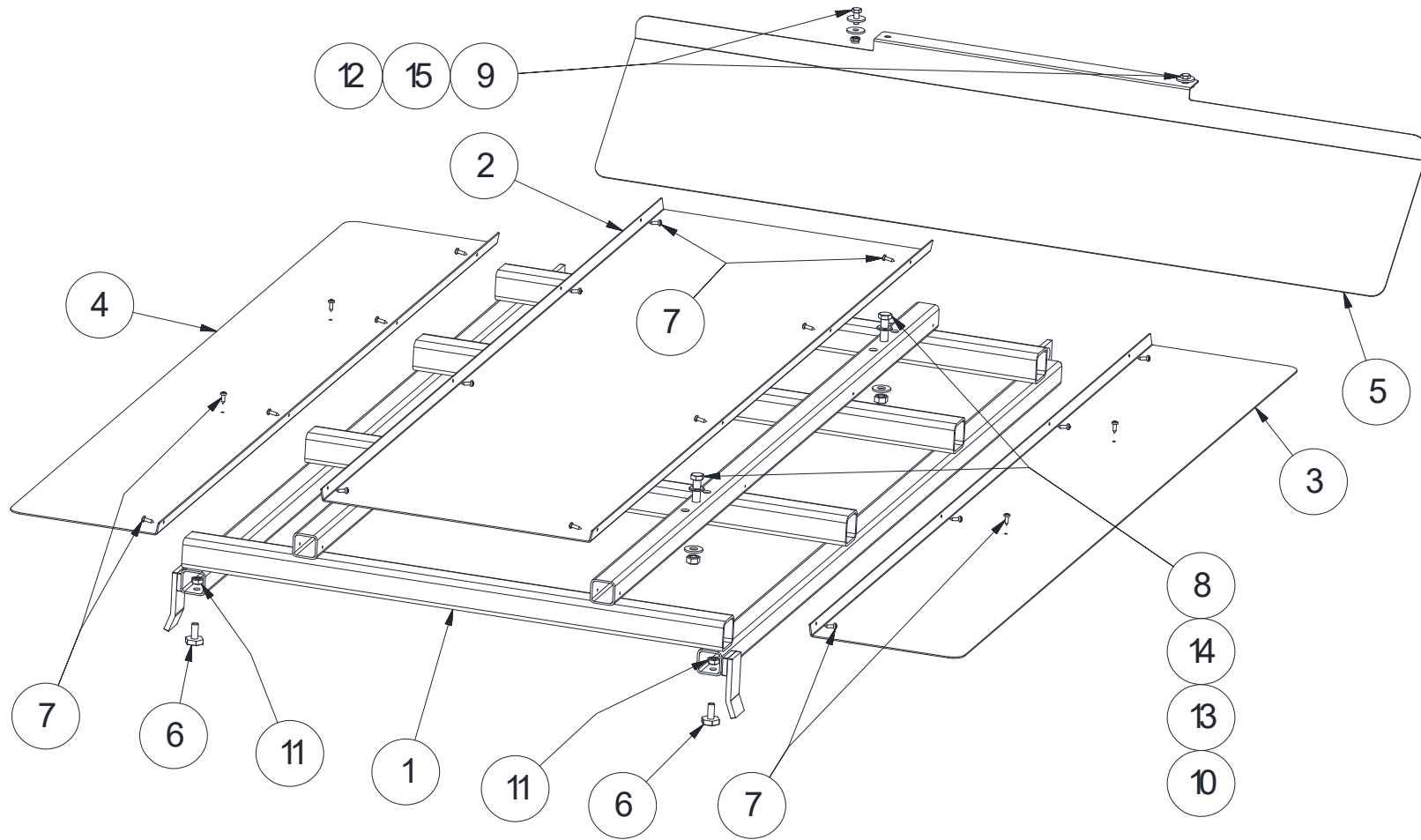




RINK	DRAWBAR TOWING EYE	15674
-------------	---------------------------	--------------

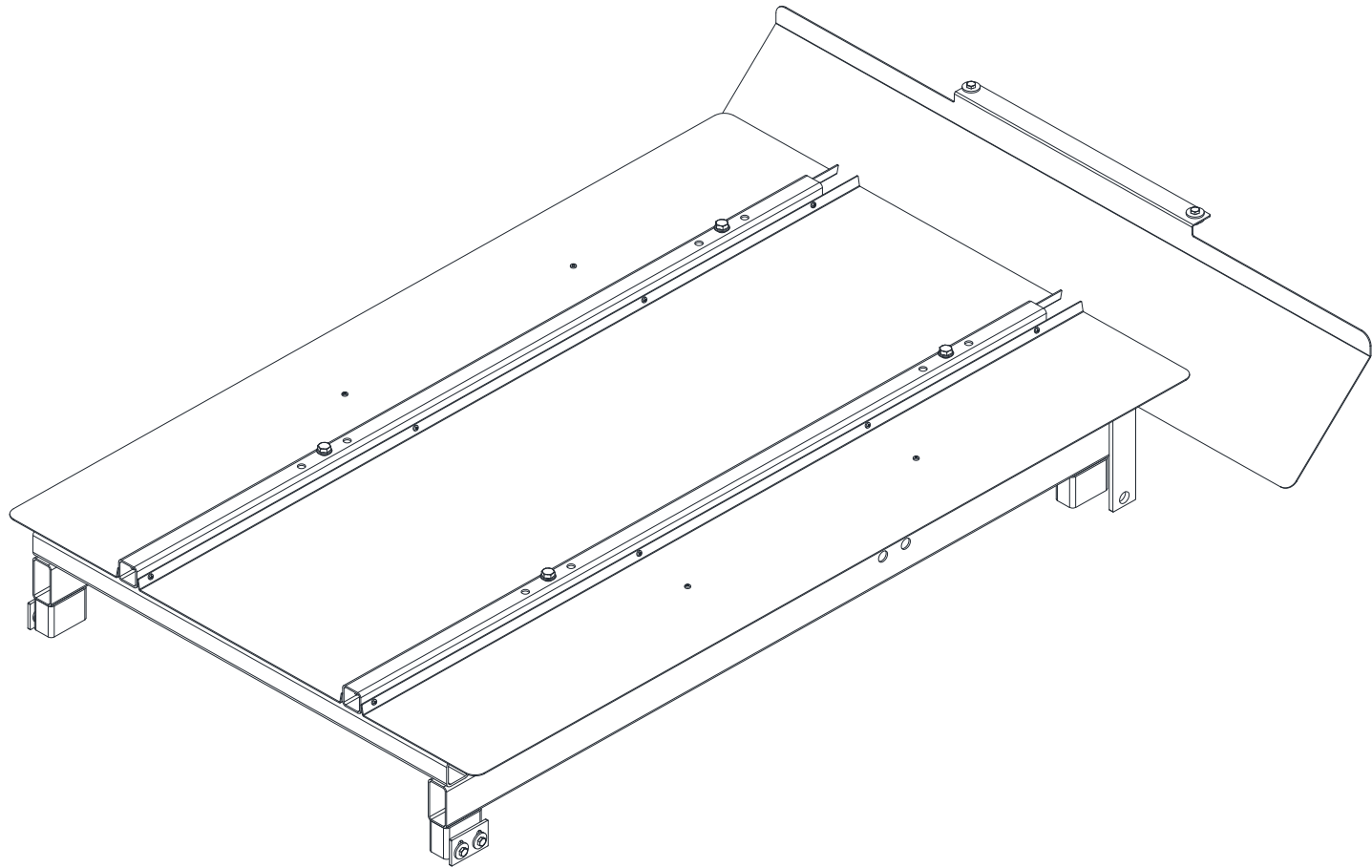
POS.	ITEM NBR.	DESCRIPTION	QUANTITY	UNITY	LENGTH IN MM	WIDTH IN MM	HEIGHT IN MM	WEIGHT KG/UNIT
1	RGS 10116	Angled towing eye Ø40mm	1	Piece	345	100	230	8,000
2	RGS 10939	Screw M20x80	2	Piece	0	0	0	0,272
3	830.200.200	Hexagon nut M20	2	Piece	0	0	0	0,050
4	RGS 10139	Spring washer A20	2	Piece	0	0	0	0,050

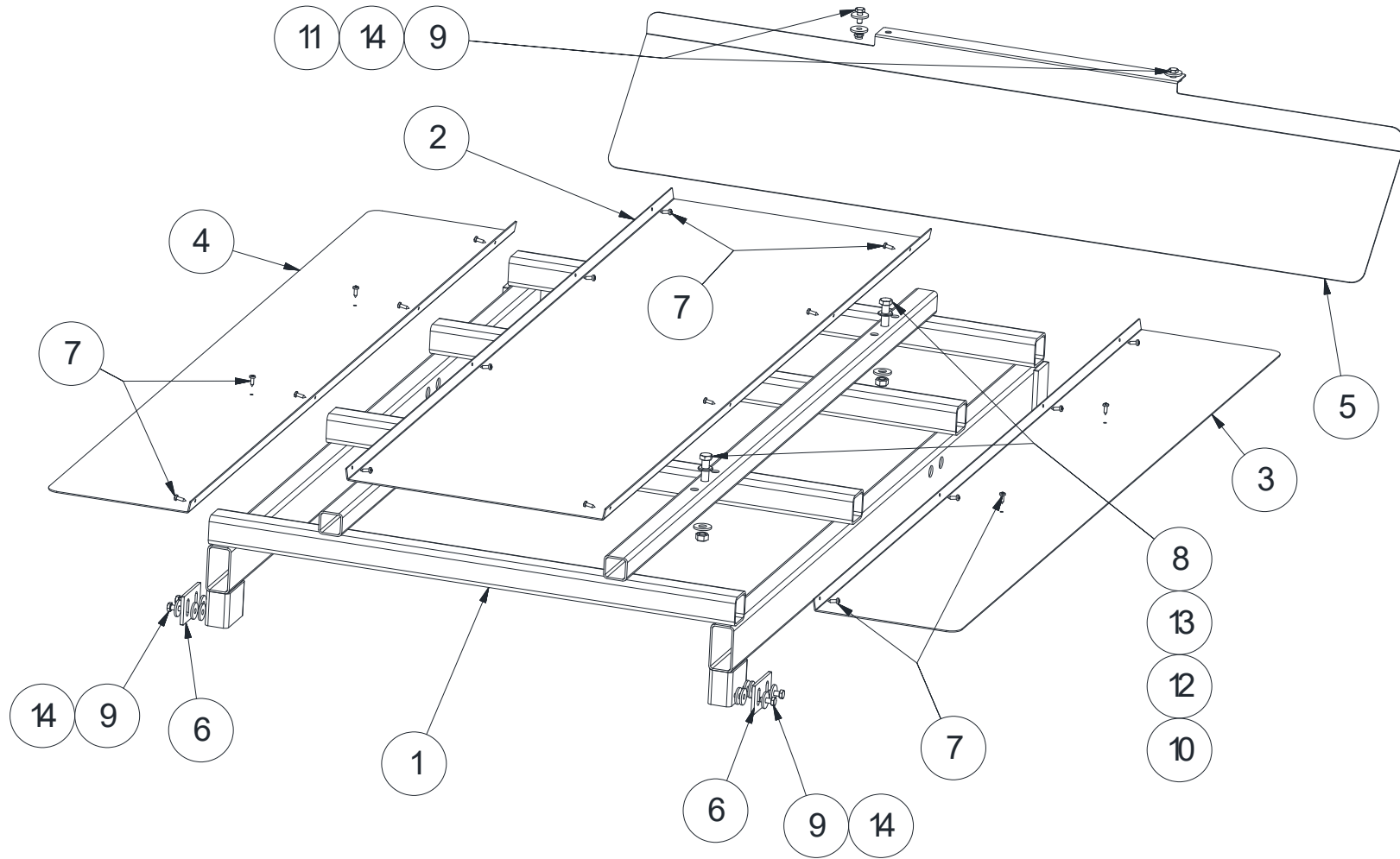




RINK**FRAME DS800evo - John Deere****16433**

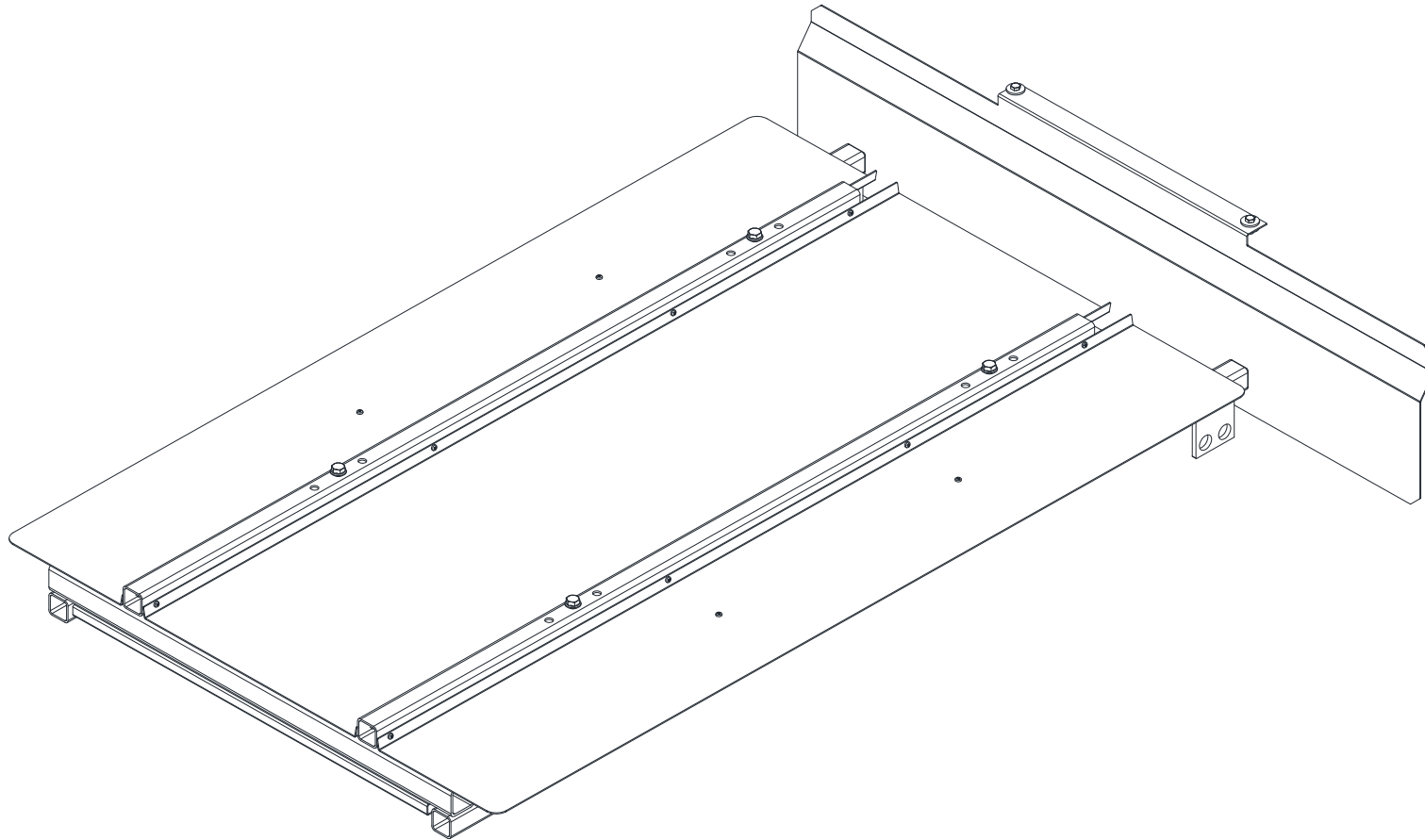
POS.	ITEM NBR.	DESCRIPTION	QUANTITY	UNITY	LENGTH IN MM	WIDTH IN MM	HEIGHT IN MM	WEIGHT KG/UNIT
1	RGS 16399	Frame for JD Progator	1	Piece	1635	942	200	40,625
2	RGS 16431	Framecover inside	1	Piece	1575	448	20	11,795
3	RGS 16432	Framecover left	1	Piece	1575	250	20	6,537
4	RGS 17957	Framecover reight	1	Piece	1575	250	20	6,537
5	RGS 16312	Protective plate (bent 45°)	1	Piece	1300	321	43	6,392
6	RGS 10637	Screw M10x100	2	Piece				0,010
7	RGS 10214	Pan head screw 4,8x 16 TXW 25	20	Piece				0,003
8	804.120.700	Hexagon bolt M12x70	4	Piece				0,050
9	804.080.200	Hexagon bolt M8x20	2	Piece				0,014
10	826.120.120	Hexagon nut M12	4	Piece				0,016
11	826.100.100	Hexagon nut M10	2	Piece				0,011
12	830.080.080	Hexagon lock nut M8	2	Piece				0,005
13	866.120.020	Lock washer M12	4	Piece				0,100
14	RGS 10197	Washer B12	4	Piece				0,006
15	RGS 10107	Washer 9x28	4	Piece				0,013

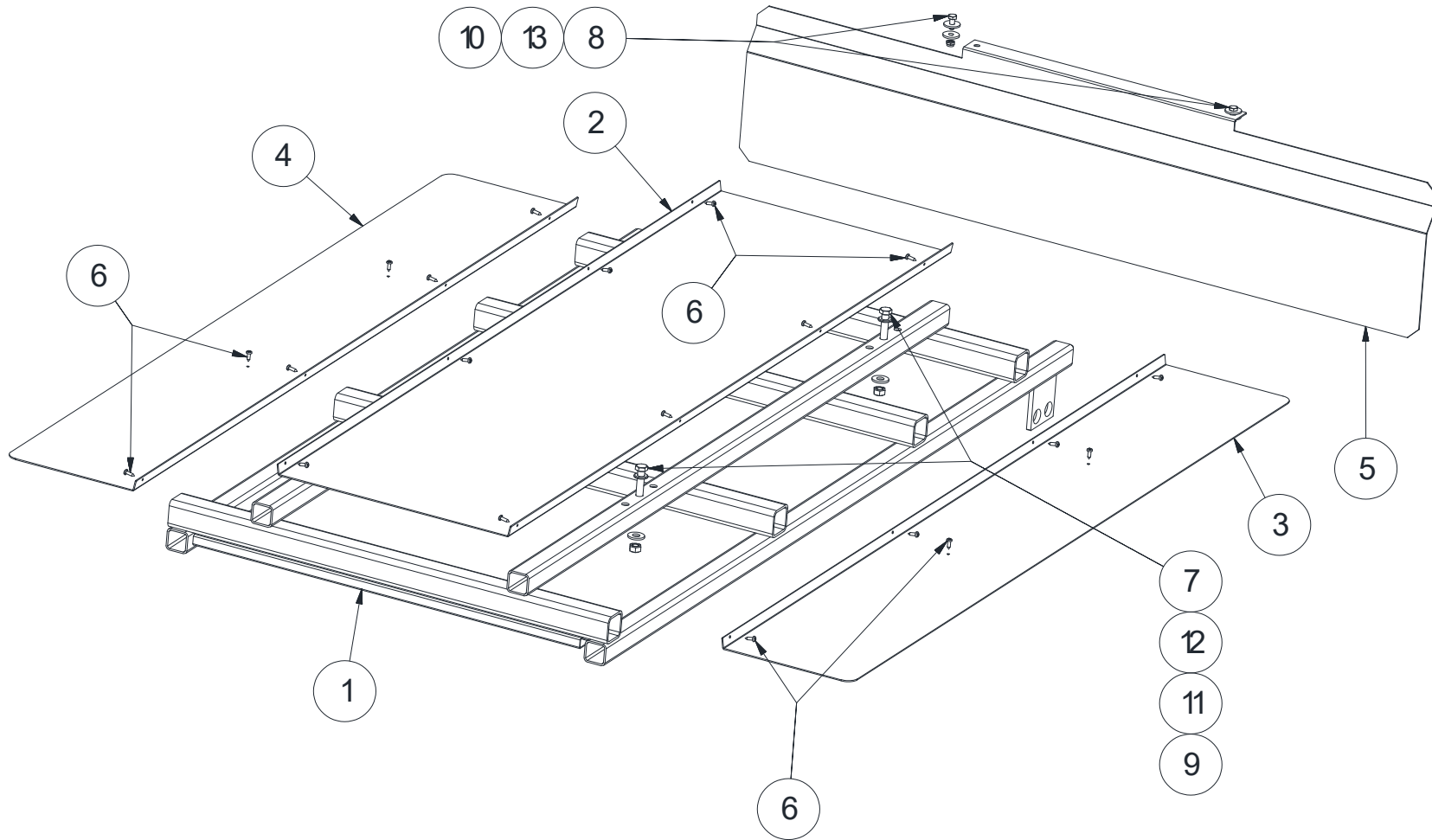




RINK**FRAME DS800evo - Toro****16093**

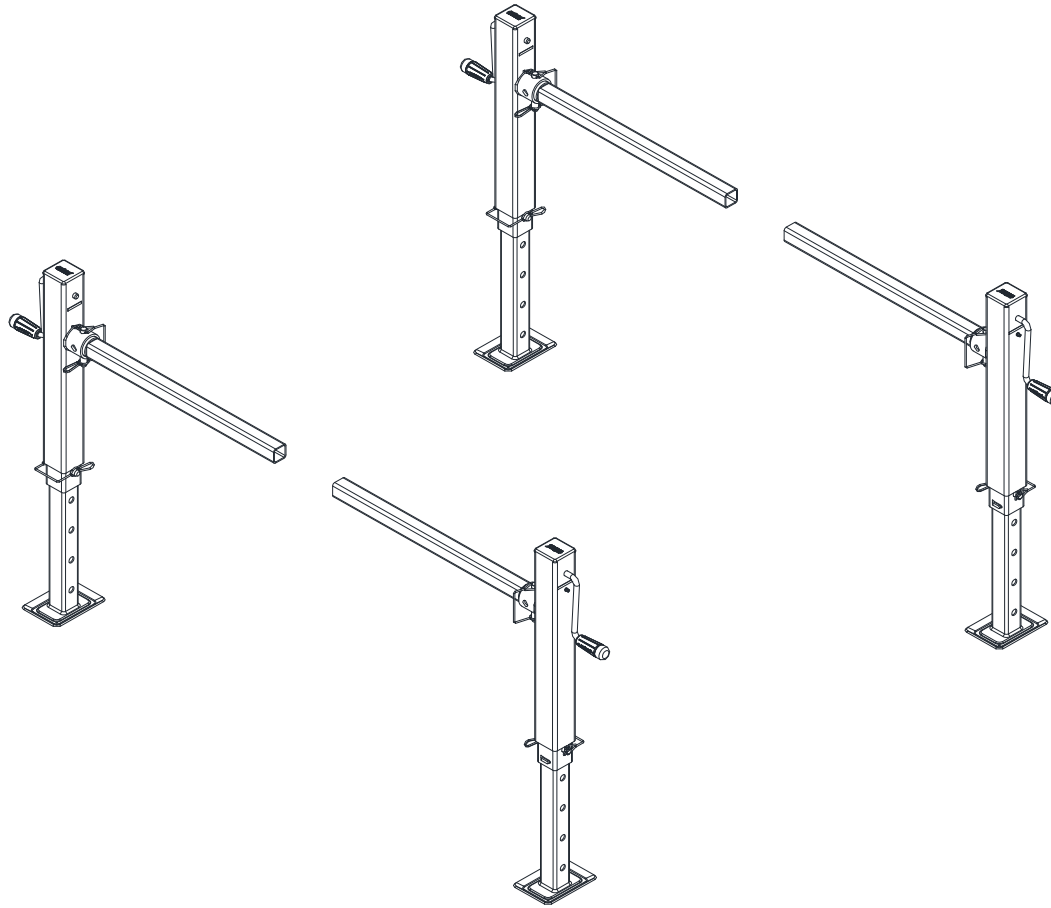
POS.	ITEM NBR.	DESCRIPTION	QUANTITY	UNITY	LENGTH IN MM	WIDTH IN MM	HEIGHT IN MM	WEIGHT KG/UNIT
1	RGS 16768	Frame for JD Progator	1	Piece	0	0	0	40,625
2	RGS 16431	Framecover inside	1	Piece	1575	448	20	11,795
3	RGS 16432	Framecover left	1	Piece	1575	250	20	6,537
4	RGS 17957	Framecover reight	1	Piece	1575	250	20	6,537
5	RGS 16312	Protective plate (bent 45°)	1	Piece	1300	321	43	6,392
6	RGS 16241	Flat bar 20x5 L= 80 mm	2	Piece	80	50	5	0,135
7	RGS 10214	Pan head screw 4,8x 16 TXW 25	20	Piece				0,003
8	804.120.700	Hexagon bolt M12x70	4	Piece				0,050
9	804.080.200	Hexagon bolt M8x20	6	Piece				0,014
10	826.120.120	Hexagon nut M12	4	Piece				0,016
11	830.080.080	Hexagon lock nut M8	2	Piece				0,005
12	866.120.020	Lock washer M12	4	Piece				0,100
13	RGS 10197	Washer B12	4	Piece				0,006
14	RGS 10107	Washer 9x28	16	Piece				0,013

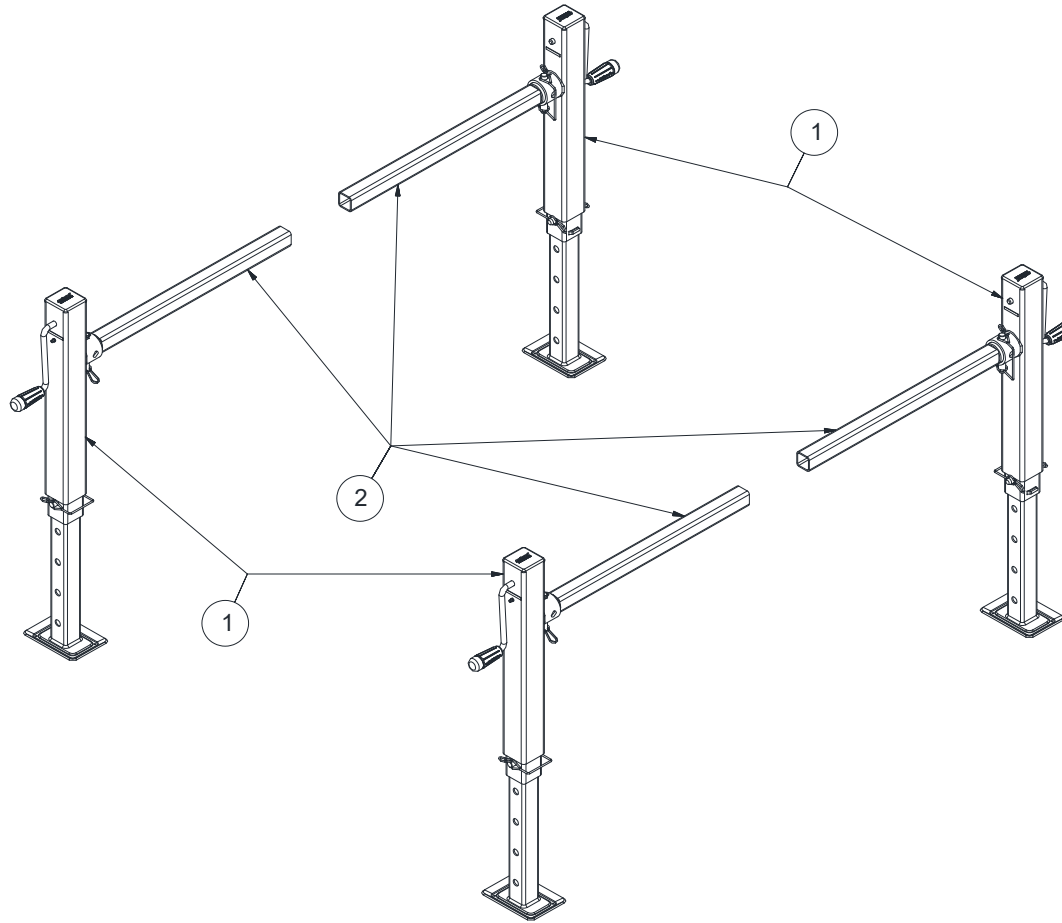




RINK	FRAME DS800evo - Truckster	17470
-------------	-----------------------------------	--------------

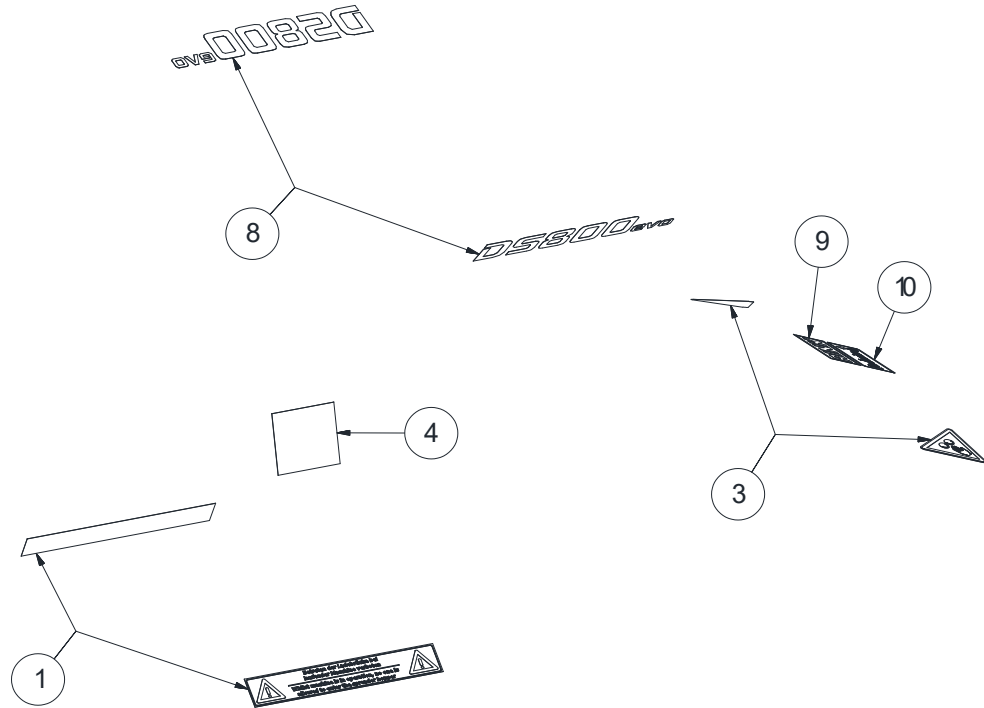
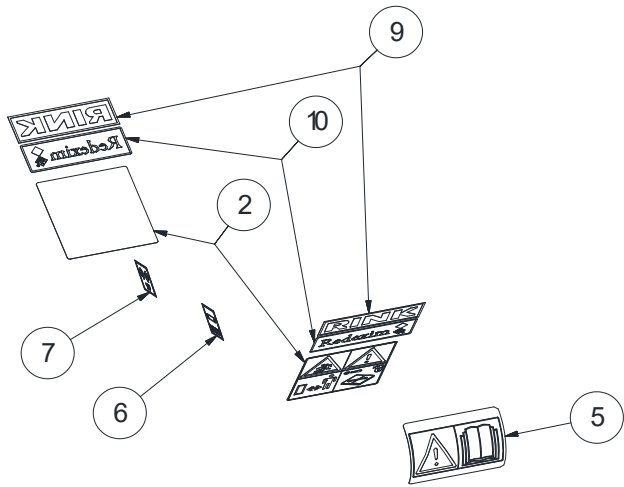
POS.	ITEM NBR.	DESCRIPTION	QUANTITY	UNITY	LENGTH IN MM	WIDTH IN MM	HEIGHT IN MM	WEIGHT KG/UNIT
1	RGS 11359	Frame DS800 for Jacobsen Truckster XD	1	Piece	1665	840	200	40,625
2	RGS 16431	Framecover inside	1	Piece	1575	448	20	11,795
3	RGS 16432	Framecover left	1	Piece	1575	250	20	6,537
4	RGS 17957	Framecover reight	1	Piece	1575	250	20	6,537
5	RGS 11148	Protective plate (straight)	1	Piece	1300	300	70	6,363
6	RGS 10214	Pan head screw 4,8x 16 TXW 25	20	Piece	0	0	0	0,003
7	804.120.700	Hexagon bolt M12x70	4	Piece	0	0	0	0,050
8	804.080.200	Hexagon bolt M8x20	2	Piece	0	0	0	0,014
9	826.120.120	Hexagon nut M12	4	Piece	0	0	0	0,016
10	830.080.080	Hexagon lock nut M8	2	Piece	0	0	0	0,005
11	866.120.020	Lock washer M12	4	Piece	0	0	0	0,100
12	RGS 10197	Washer B12	4	Piece	0	0	0	0,006
13	RGS 10107	Washer 9x28	4	Piece	0	0	0	0,013



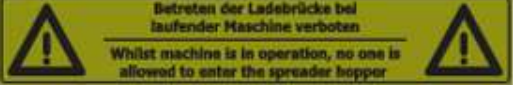





RINK	JACK STAND FOR PARKING DS800evo	16245
-------------	--	--------------





POS.	ITEM NBR.	DESCRIPTION	QUANTITY	UNITY	LENGTH IN MM	WIDTH IN MM	HEIGHT IN MM	WEIGHT KG/UNIT
1	RGS 10762	Stand set for DS	4	Piece				15,000
2	RGS 11391	Support foot holder	4	Piece	648	50	50	2,619





RINK	LABEL SET DS800evo - Chassis	16016
-------------	-------------------------------------	--------------

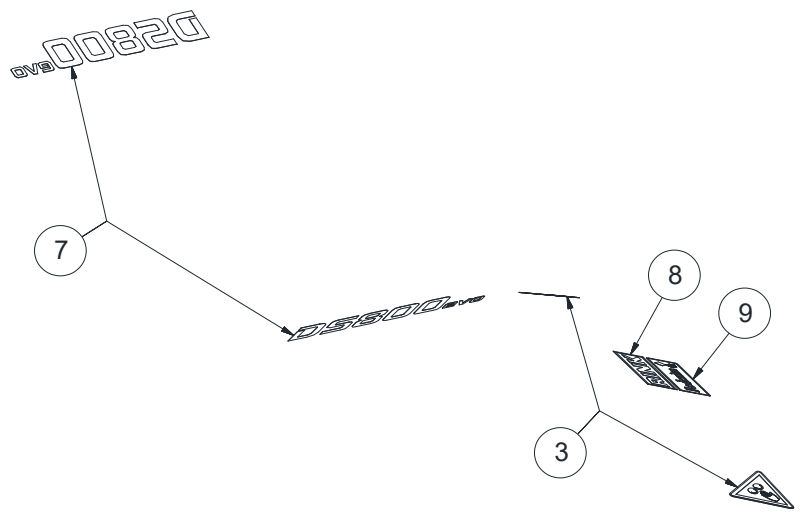
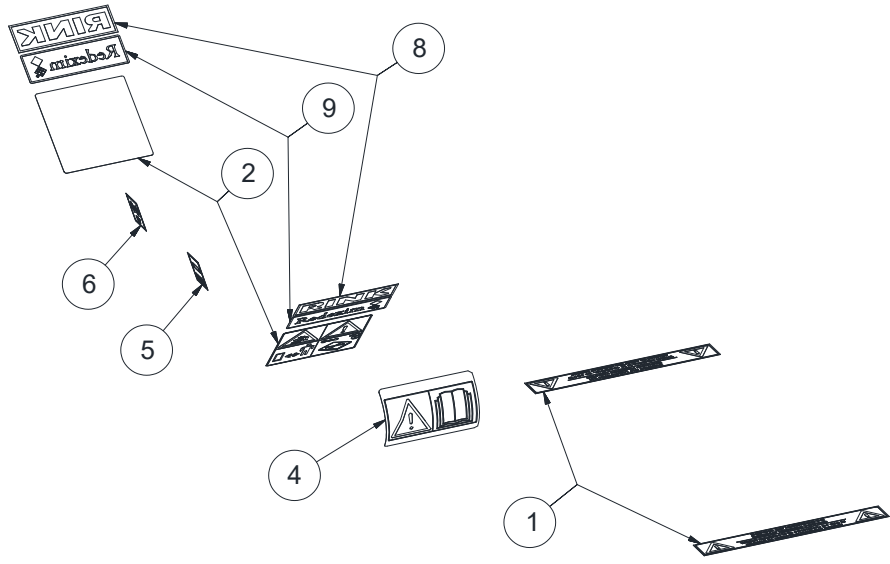
POS.	ITEM NBR.	DESCRIPTION	QUANTITY	UNITY	DECAL
1	RGS 10505	Decal loading ramp	2	Piece	
2	RGS 11132	Decal safety	2	Piece	
3	RGS 11176	Safety decal "Warning of running rollers"	2	Piece	
4	RGS 10626	Decal tighten wheel nuts	1	Piece	

RINK	LABEL SET DS800evo - Chassis	16016
-------------	-------------------------------------	--------------

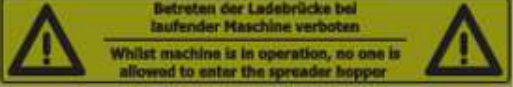



POS.	ITEM NBR.	DESCRIPTION	QUANTITY	UNITY	DECAL
5	RGS 11173	Decal box	1	Piece	
6	RGS 11178	Decal Conveyor belt	1	Piece	
7	RGS 11177	Decal Discs	1	Piece	
8	RGS 11195	Decal DS800evo	2	Piece	

RINK	LABEL SET DS800evo - Chassis	16016
-------------	-------------------------------------	--------------





POS.	ITEM NBR.	DESCRIPTION	QUANTITY	UNITY	DECAL
9	RGS 11131	Decal RINK small	3	Piece	
10	RGS 11175	Decal Redexim	3	Piece	



RINK LABEL SET DS800evo - TOP FRAME 16088

POS.	ITEM NBR.	DESCRIPTION	QUANTITY	UNITY	DECAL
1	RGS 10505	Decal loading ramp	2	Piece	
2	RGS 11132	Decal safety	2	Piece	
3	RGS 11176	Safety decal "Warning of running rollers"	2	Piece	
4	RGS 11173	Decal box	1	Piece	

RINK	LABEL SET DS800evo - TOP FRAME	16088
-------------	---------------------------------------	--------------

POS.	ITEM NBR.	DESCRIPTION	QUANTITY	UNITY	DECAL
6	RGS 11178	Decal Conveyor belt	1	Piece	
7	RGS 11177	Decal Discs	1	Piece	
8	RGS 11195	Decal DS800evo	2	Piece	
9	RGS 11131	Decal RINK small	3	Piece	

POS.	ITEM NBR.	DESCRIPTION	QUANTITY	UNITY	DECAL
10	RGS 11175	Decal Redexim	3	Piece	