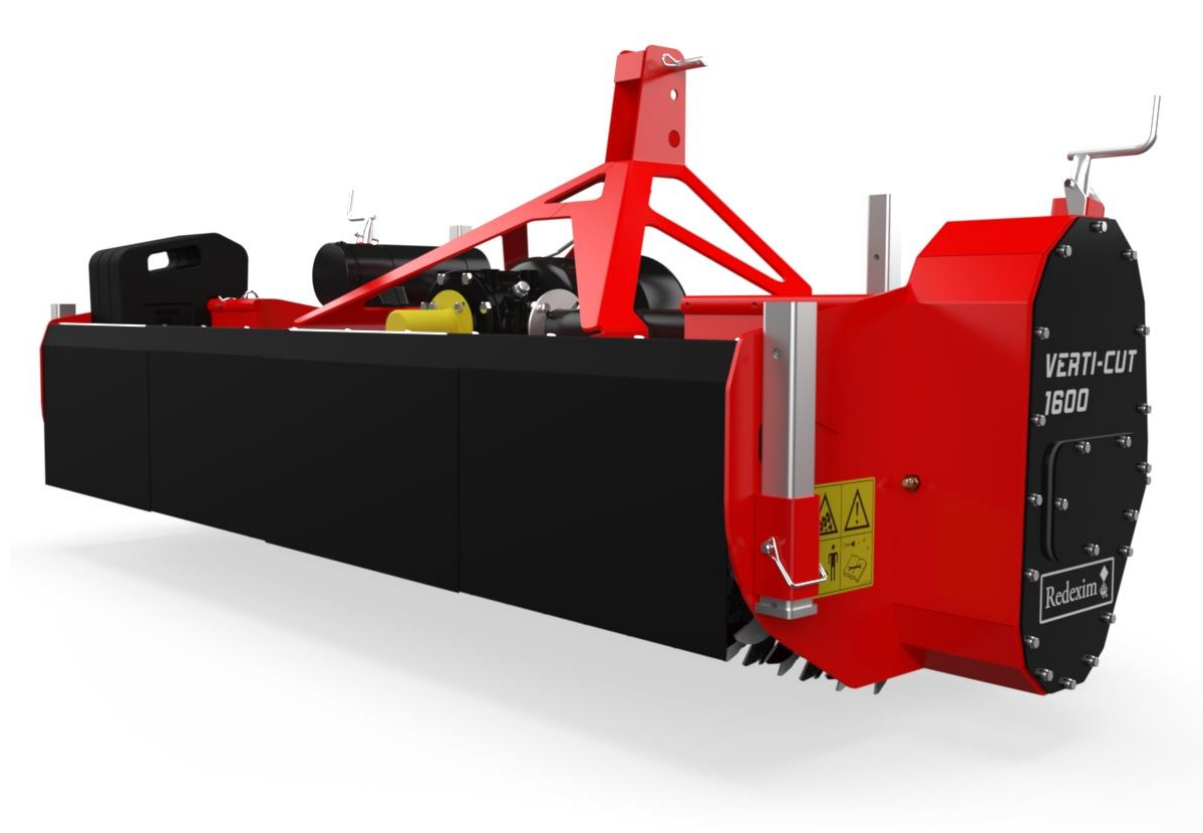


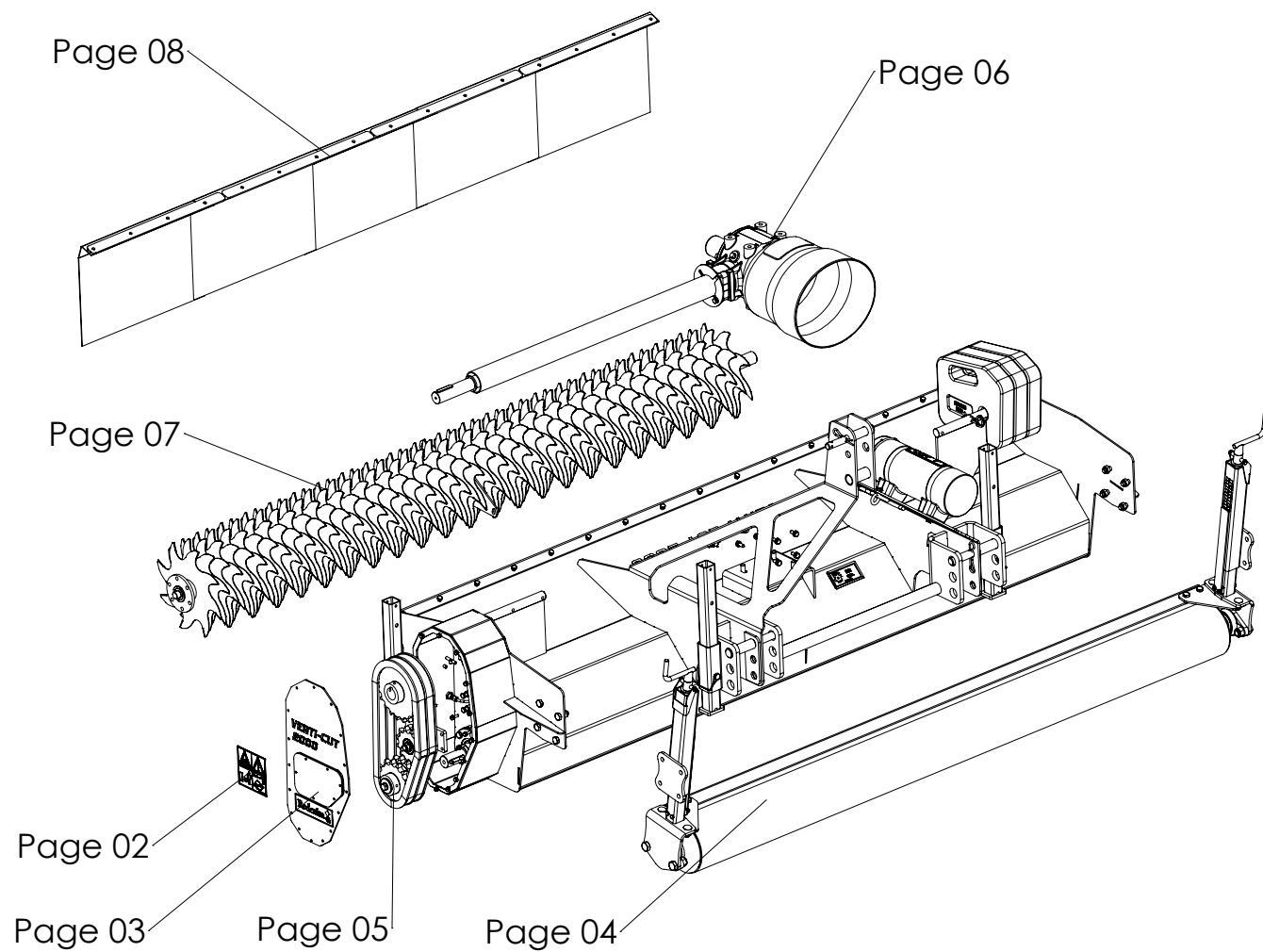
# ***VERTI-CUT 1600-2000***



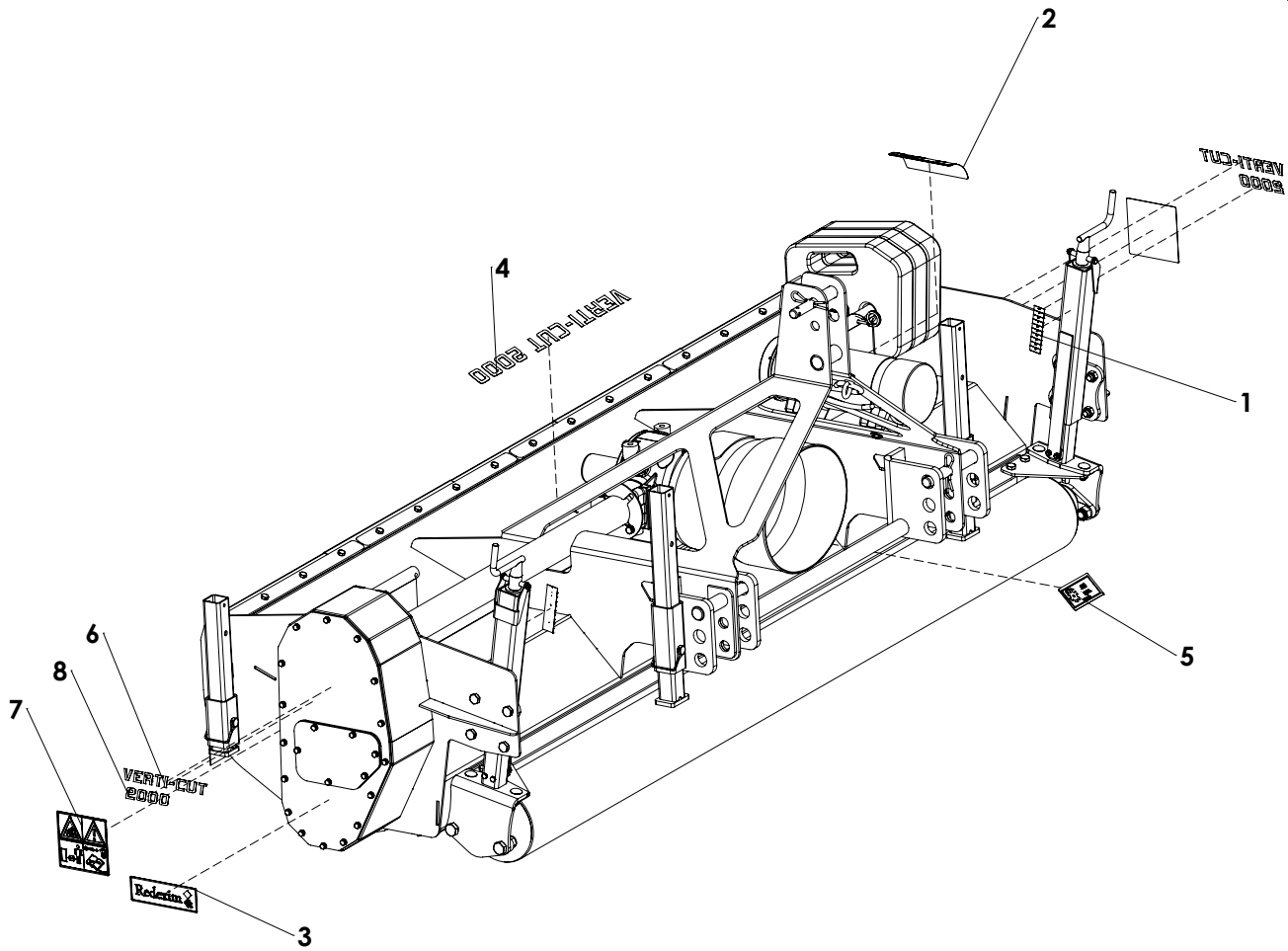
Version: 2434



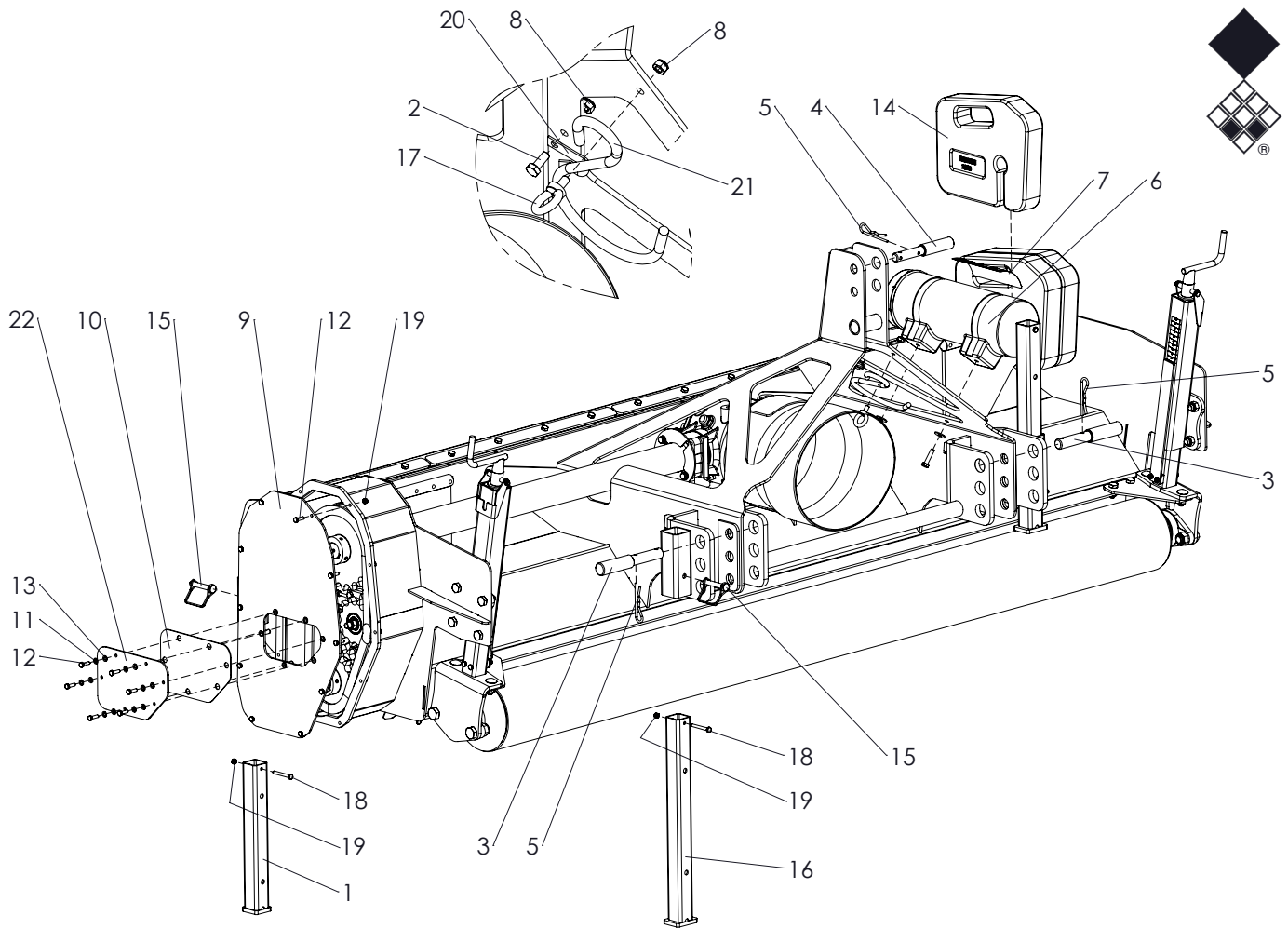
Kwekerijweg 8 | 3709JA | Zeist | The Netherlands |  
T: +31 (0)306 933 227  
E: [redexim@redexim.com](mailto:redexim@redexim.com)  
W: [www.redexim.com](http://www.redexim.com)



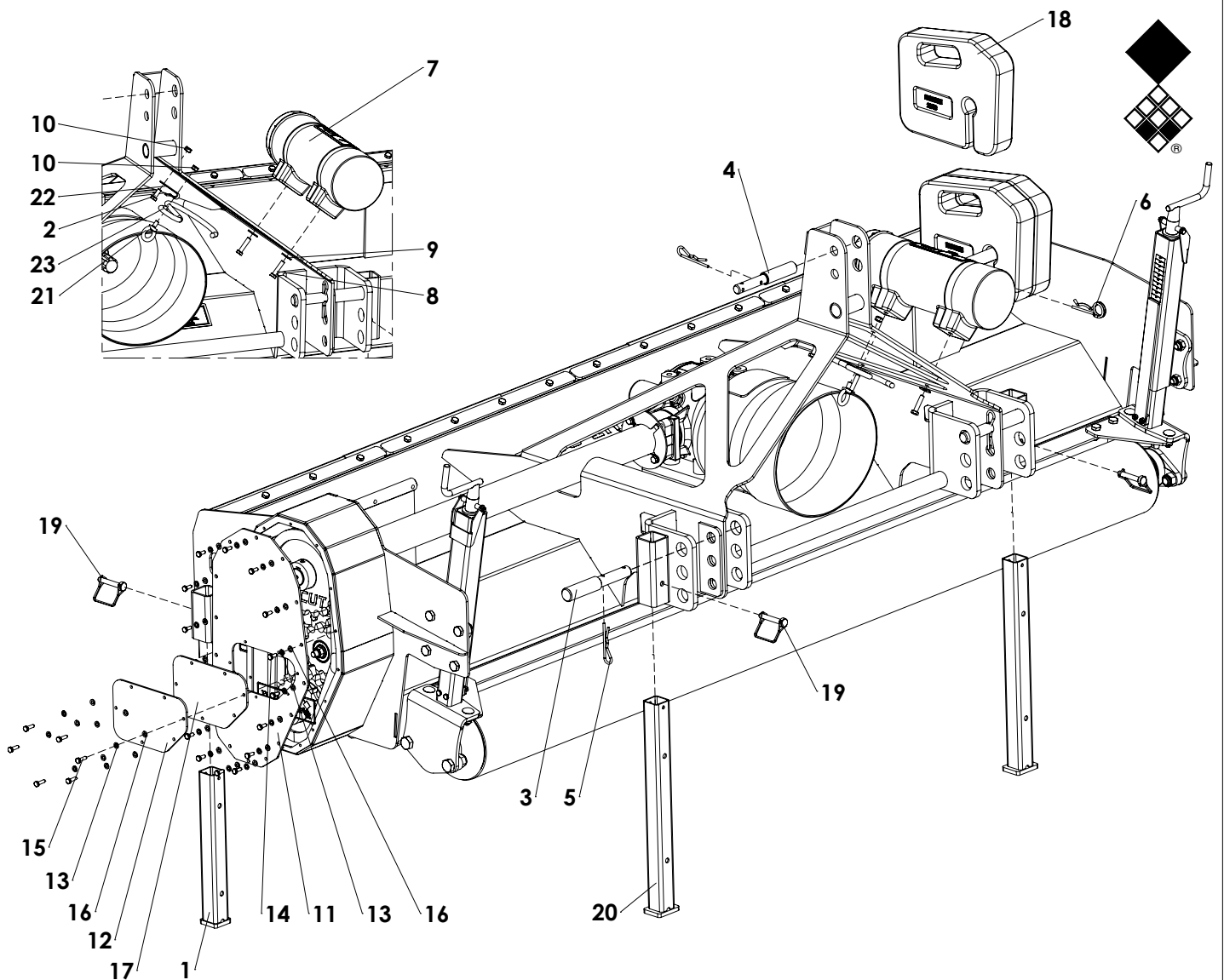
Page P1: PTO



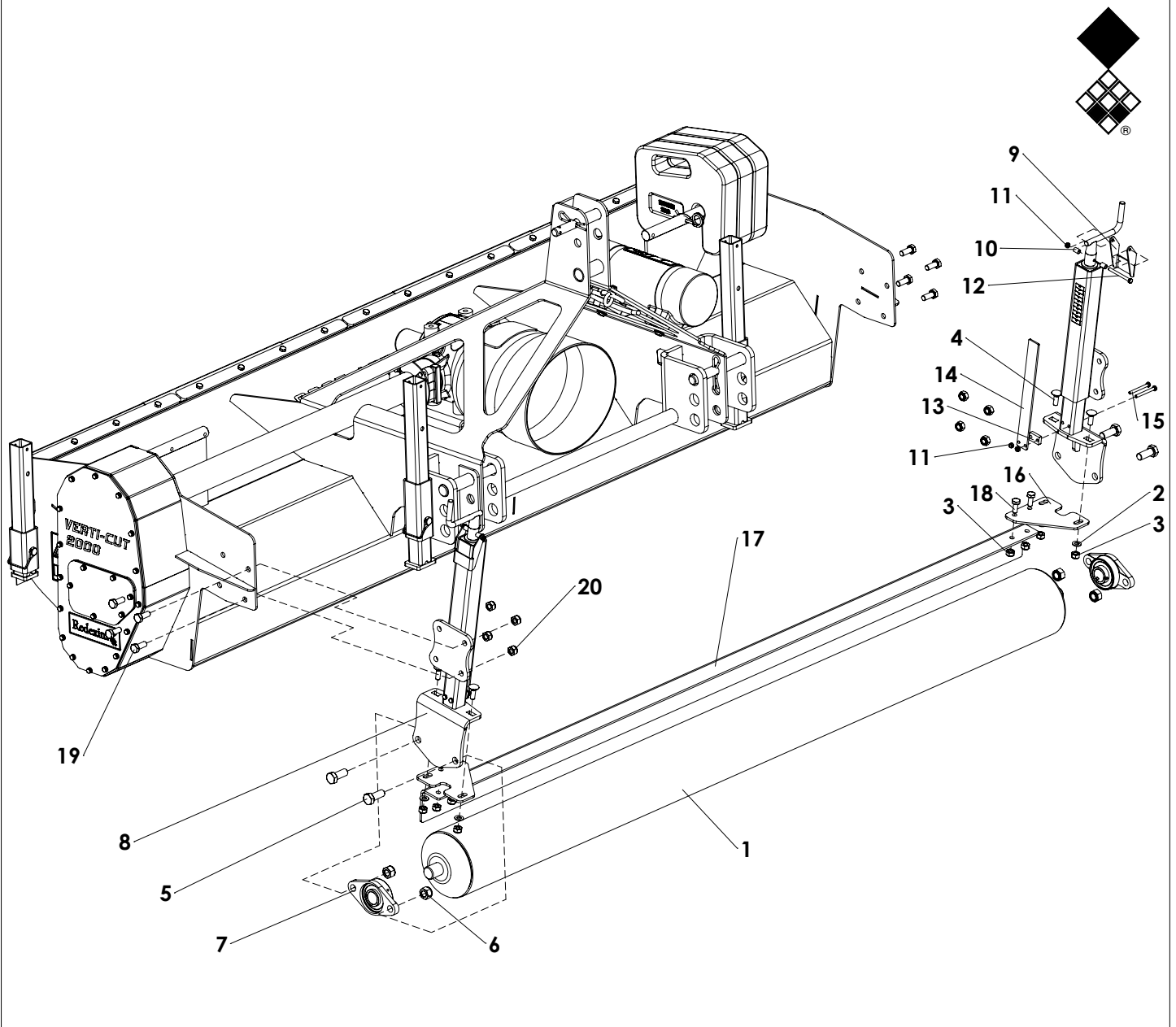
ITEM	PART NUMBER	DESCRIPTION	REMARKS	QUA VC1600	QUA VC2000
1	900.260.414	Decal Ruler		2	2
2	900.280.402	Safety decall manual		1	1
3	900.260.401	Logo Label		1	1
4	944.260.412	Decall Verti-cut 2000		0	1
	944.260.418	Decall Verti-cut 1600		1	0
5	900.260.424	PTO Label 540 RPM		1	1
6	944.260.414	Decall Verti-cut		2	2
7	921.280.402	Safety decall VS		2	2
8	944.260.416	Decall 2000		0	2
	944.260.420	Decall 1600		2	0



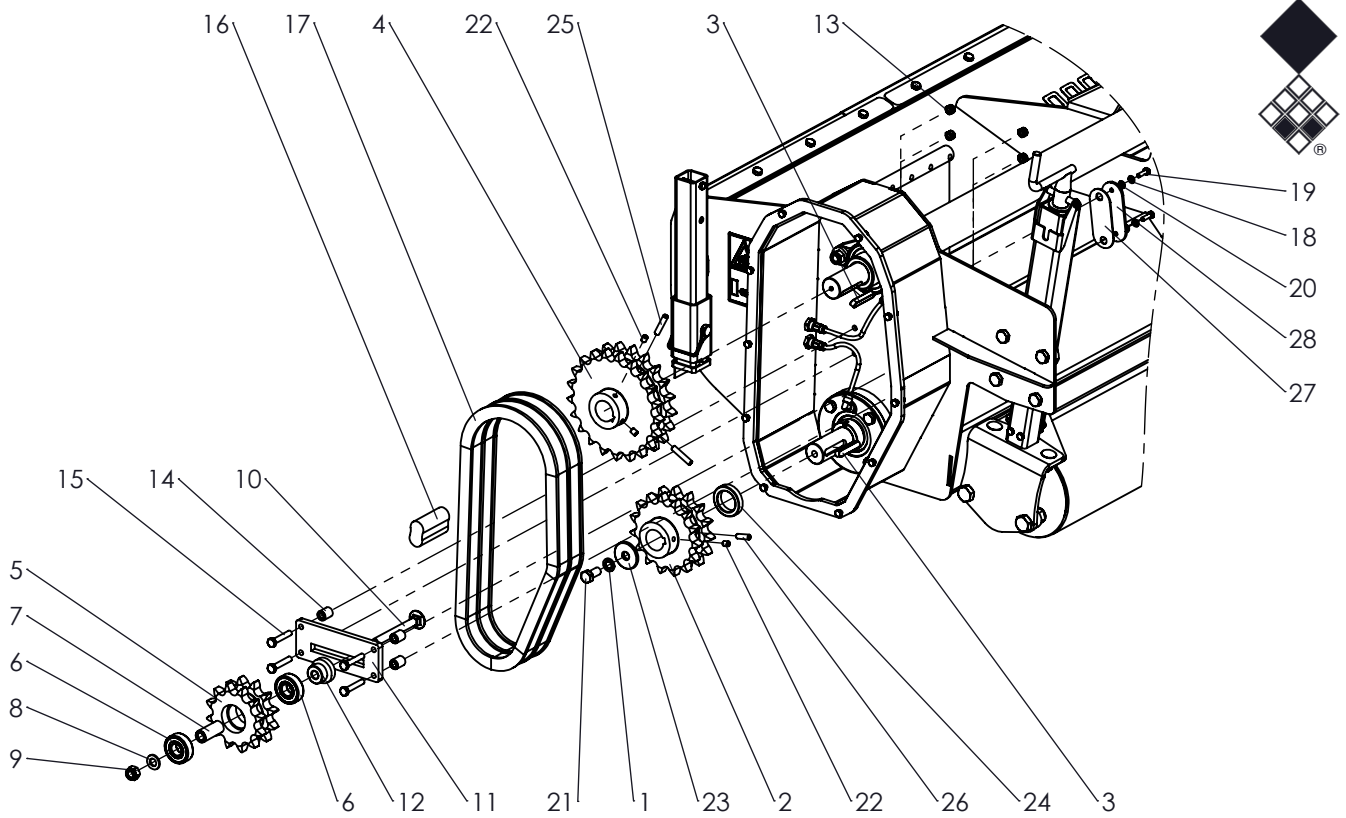
ITEM	PART NUMBER	DESCRIPTION	REMARKS	QUA VC1600	QUA VC2000
1	460.401.840	Support small		2	2
2	804.080.200	Bolt M8 x 20 - ISO 4017		1	1
3	521.221.600	3-point pin		2	2
4	521.191.600	Top link pin OS		1	1
5	523.040.700	R-Clip D=4		3	3
6	444.803.100	Toolbox Complete		1	1
7	900.280.402	Safety decall manual		1	1
8	830.080.080	Self Lock Nut M8 - ISO 10511		2	2
9	468.045.331	Side plate gearbox		1	1
10	446.022.150	Small gearbox rubber		1	1
11	866.060.020	Spring Washer M6 - DIN 127		6	6
12	804.060.200	Bolt M6 x 20 - ISO 4017		16	16
13	864.060.030	Washer M6 - ISO 7089		6	6
14	492.502.800	Weight 20kg		3	3
15	523.100.500	Square tube circlip		4	4
16	460.401.830	Support		2	2
17	822.080.362	Lifting Eye Bolt M8 - DIN 580		1	1
18	802.060.500	Bolt M6 x 50 - ISO 4014		4	4
19	830.060.060	Self Lock Nut M6 - ISO 10511		14	14
20	464.020.820	Lock strip		1	1
21	472.104.800	PTO Hook		1	1
22	468.042.150	Small gearbox plate		1	1



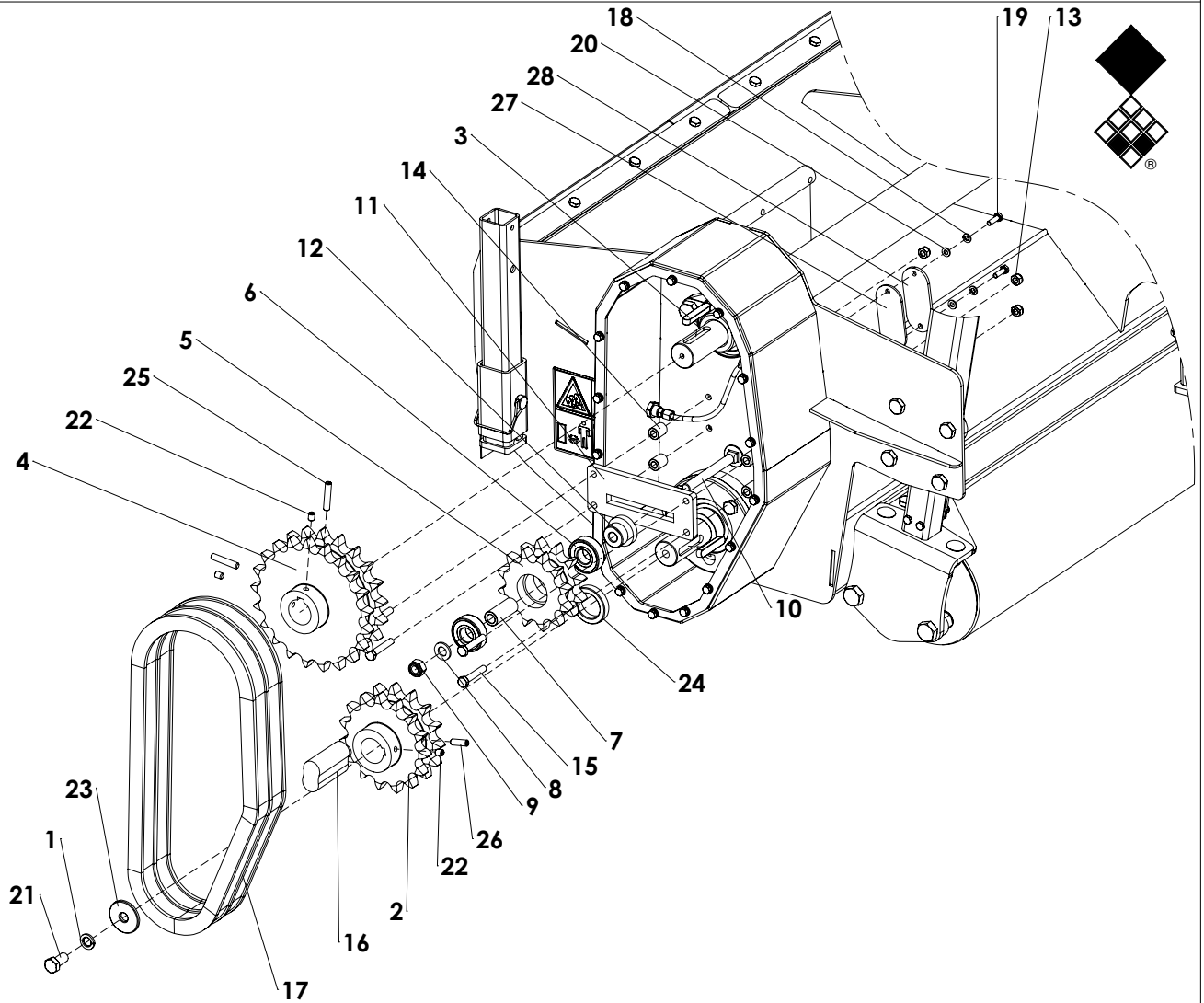
ITEM	PART NUMBER	DESCRIPTION	REMARKS	QUA VC1600	QUA VC2000
1	460.401.840	Support small		2	2
2	804.080.200	Bolt M8 x 20 - ISO 4017		1	1
3	521.221.600	3-point pin		2	2
4	521.191.600	Top link pin OS		1	1
5	523.040.700	R-Clip D=4		3	3
6	523.051.000	R-clip Round 5, DIN 11024		1	1
7	444.803.100	Toolbox Complete		1	1
8	804.080.350	Bolt M8 x 35 - ISO 4017		2	2
9	864.080.024	Large washer M8 - DIN 9021		2	2
10	830.080.080	Self Lock Nut M8 - ISO 10511		2	2
11	468.045.070	Side gearbox plate		1	1
12	468.042.054	Small gearbox plate		1	1
13	866.060.020	Spring Washer M6 - DIN 127		22	22
14	804.060.160	Bolt M6 x 16 - ISO 4017		16	16
15	804.060.200	Bolt M6 x 20 - ISO 4017		6	6
16	864.060.030	Washer M6 - ISO 7089		22	22
17	446.042.050	Small gearbox rubber		1	1
18	492.502.800	Weight 20kg		3	3
19	523.100.500	Square tube circlip		4	4
20	460.401.830	Support		2	2
21	822.080.362	Lifting Eye Bolt M8 - DIN 580		1	1
22	464.020.820	Lock strip		1	1
23	472.104.800	PTO Hook		1	1



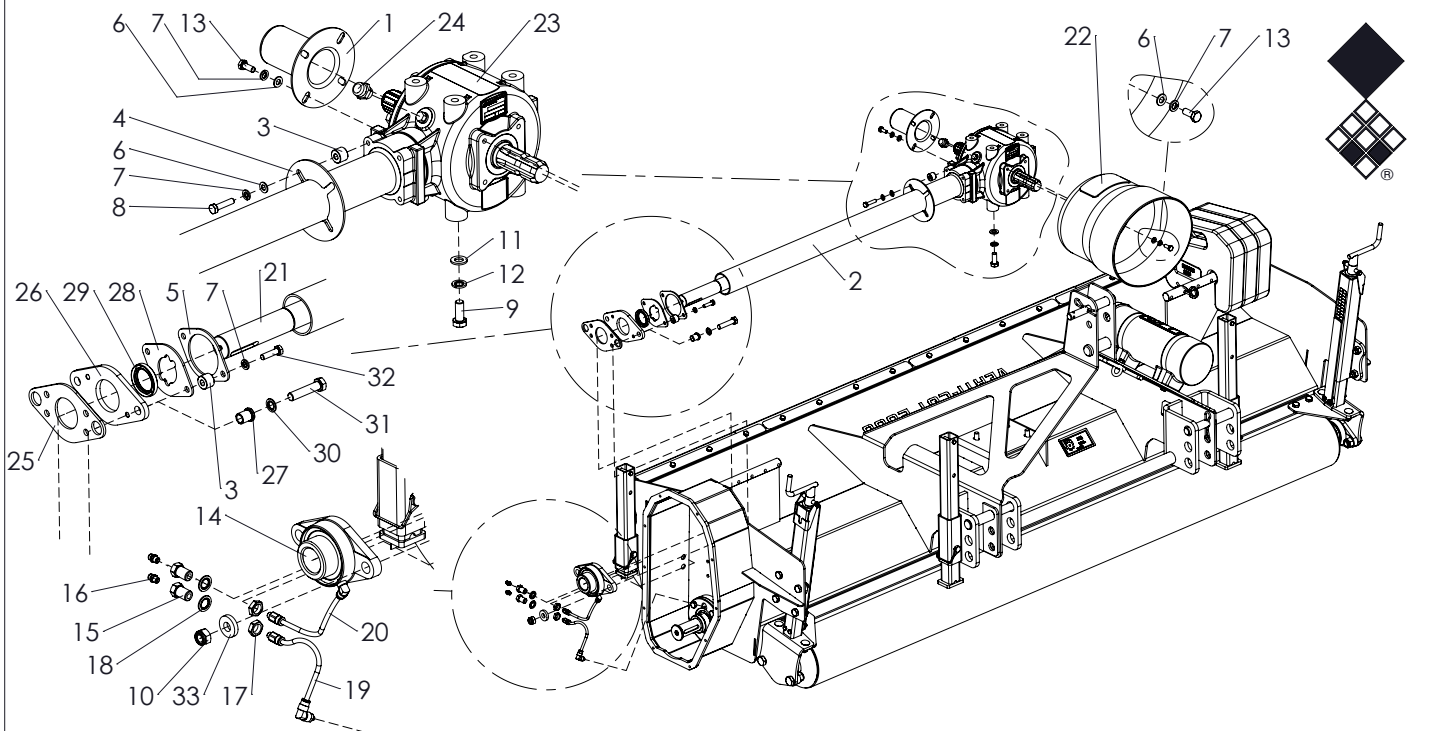
ITEM	PART NUMBER	DESCRIPTION	REMARKS	QUA VC1600	QUA VC2000
1	488.140.209	Front roller Ø159 L=2090		0	1
	488.159.173	Front roller Ø159 L=1730		1	0
2	864.100.030	Washer M10 - ISO 7089		4	4
3	830.100.100	Self Lock Nut M10 - ISO 10511		8	8
4	820.100.300	MH Bolt M10 x 30 ISO 8677		4	4
5	804.160.402	Bolt M16 x 40 - ISO 4017 Class 10.9		4	4
6	830.160.160	Self Lock Nut M16 10.9 - ISO 10511		4	4
7	742.300.400	Bearing UCFL206		2	2
8	460.505.530	Weld Assy Jack		2	2
9	460.505.450-S05	Lock Plate		2	2
10	460.505.450-S06	Distance Bush		4	4
11	830.060.060	Self Lock Nut M6 - ISO 10511		6	6
12	802.060.650	Bolt M6 x 65 - ISO 4014		2	2
13	464.080.300	Distance Block		2	2
14	464.042.800	Height Indicator Strip, L= 280		2	2
15	802.060.600	Bolt M6 x 60 - ISO 4014		4	4
16	468.051.420	Scraper plate		2	2
17	468.059.192	Scraper		0	1
	468.059.164	Scraper		1	0
18	804.100.250	Bolt M10 x 25 - ISO 4017		4	4
19	804.120.300	Bolt M12 x 30 - ISO 4017		8	8
20	830.120.120	Self Lock Nut M12 - ISO 10511 Class 10.9		8	8



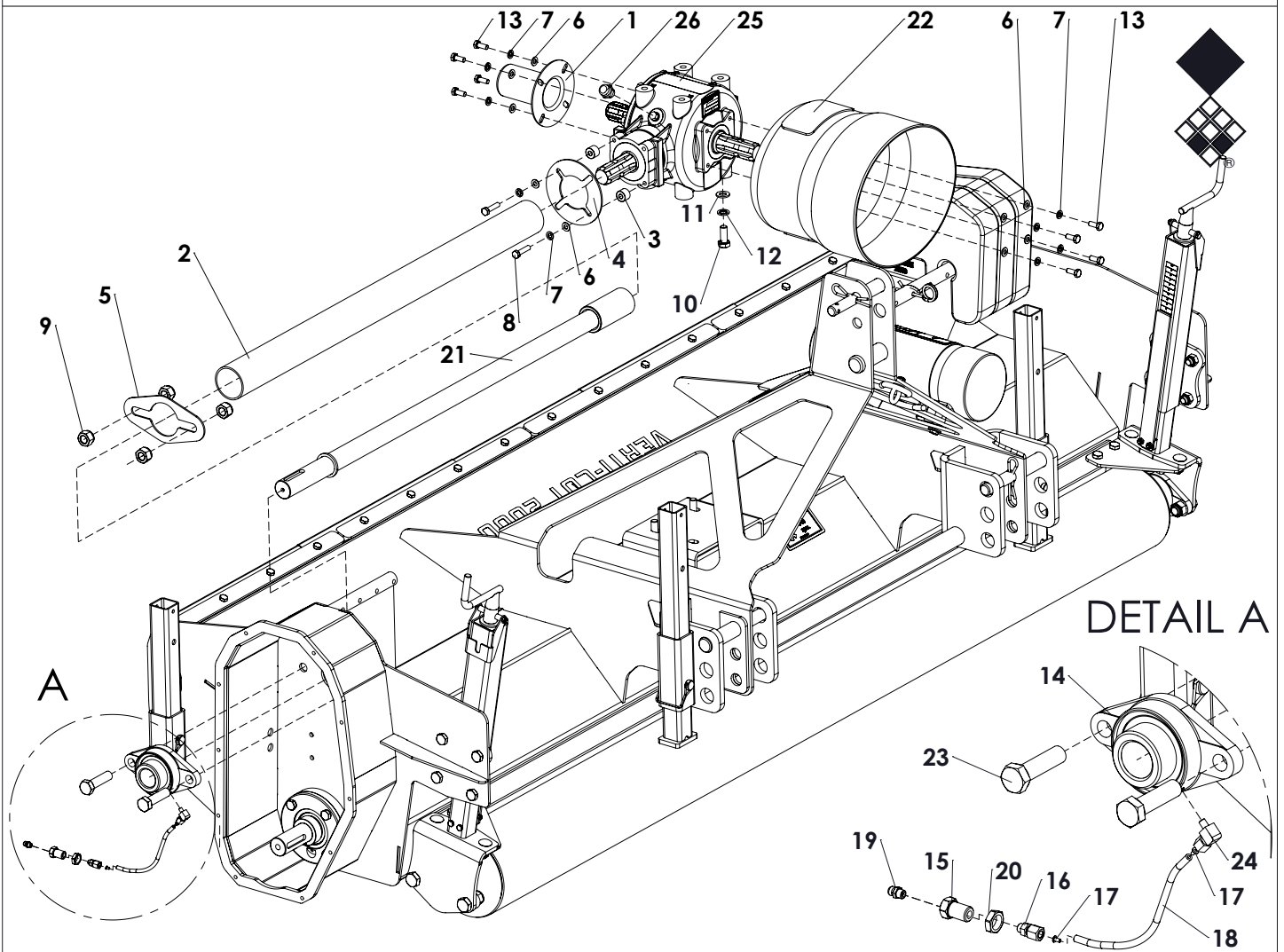
ITEM	PART NUMBER	DESCRIPTION	REMARKS	QUA 1600	QUA 2000
1	866.120.020	Spring Washer M12 - DIN 127		1	1
2	636.041.335	Sprocket 1" (16B) 15 teeth		1	1
3	884.100.550	Key 10x8x55 - DIN 6885		2	2
4	636.041.820	Sprocket 1"(16B) 21 Teeth		1	1
5	636.041.100	Duplex 16B-2 Z12		1	1
6	713.200.140	Bearing 6204-C-2HRS		2	2
7	402.120.480	Bush		1	1
8	864.120.030	Washer M12 - ISO 7089		1	1
9	830.120.120	Self Lock Nut M12 - ISO 10511 Class 10		1	1
10	820.121.100	MH Bolt M12 x 110 ISO 8677		1	1
11	464.101.650	Plate		1	1
12	406.120.282	Spacer		1	1
13	830.080.080	Self Lock Nut M8 - ISO 10511		4	4
14	406.080.202	Spacer		4	4
15	804.080.450	Bolt M8 x 45 - ISO 4017		4	4
16	638.040.252	Chain connector 1" 16B Duplex		1	1
17	632.041.067	Chain duplex Din 8187 16B-2 42 shackles		1	1
18	866.060.020	Spring Washer M6 - DIN 127		2	2
19	804.060.200	Bolt M6 x 20 - ISO 4017		2	2
20	864.060.030	Washer M6 - ISO 7089		2	2
21	804.120.250	Bolt M12 x 25 - ISO 4017		1	1
22	818.080.100	Set screw M8 x 10 - DIN 913		3	3
23	402.120.050	Distance bush Ø45/Ø12.5 L=5		1	1
24	404.350.110	Spacer		1	1
25	818.080.400	Set screw M8 x 40 - DIN 913		2	2
26	818.080.350	Set screw M8x25 - DIN 913		1	1
27	446.021.000	Rubber seal		1	1
28	464.040.906	Chain coupling plate		1	1



ITEM	PART NUMBER	DESCRIPTION	REMARKS	QUA VC1600	QUA VC2000
1	866.120.020	Spring Washer M12 - DIN 127		1	1
2	636.041.335	Sprocket 1" (16B) 15 teeth		1	1
3	884.100.550	Key 10x8x55 - DIN 6885		2	2
4	636.041.820	Sprocket 1"(16B) 21 Teeth		1	1
5	636.041.100	Duplex 16B-2 Z12 Sprocket		1	1
6	713.200.140	Bearing 6204-C-2HRS		2	2
7	402.120.480	Bush		1	1
8	864.120.030	Washer M12 - ISO 7089		1	1
9	830.120.120	Self Lock Nut M12 - ISO 10511 Class 10.9		1	1
10	820.121.100	MH Bolt M12 x 110 ISO 8677		1	1
11	464.101.650	Plate		1	1
12	406.120.282	Spacer		1	1
13	830.080.080	Self Lock Nut M8 - ISO 10511		4	4
14	406.080.202	Spacer		4	4
15	804.080.450	Bolt M8 x 45 - ISO 4017		4	4
16	638.040.252	Chain connector 1" 16B Duplex		1	1
17	632.041.067	Chain duplex Din 8187 16B-2 42 shackles		1	1
18	866.060.020	Spring Washer M6 - DIN 127		2	2
19	804.060.200	Bolt M6 x 20 - ISO 4017		2	2
20	864.060.030	Washer M6 - ISO 7089		2	2
21	804.120.250	Bolt M12 x 25 - ISO 4017		1	1
22	818.080.100	Set screw M8 x 10 - DIN 913		3	3
23	402.120.050	Distance bush Ø45/Ø12.5 L=5		1	1
24	404.350.110	Spacer		1	1
25	818.080.400	Set screw M8 x 40 - DIN 913		2	2
26	818.080.350	Set screw M8x25 - DIN 913		1	1
27	446.030.900	Rubber seal		1	1
28	464.040.906	Chain coupling plate		1	1

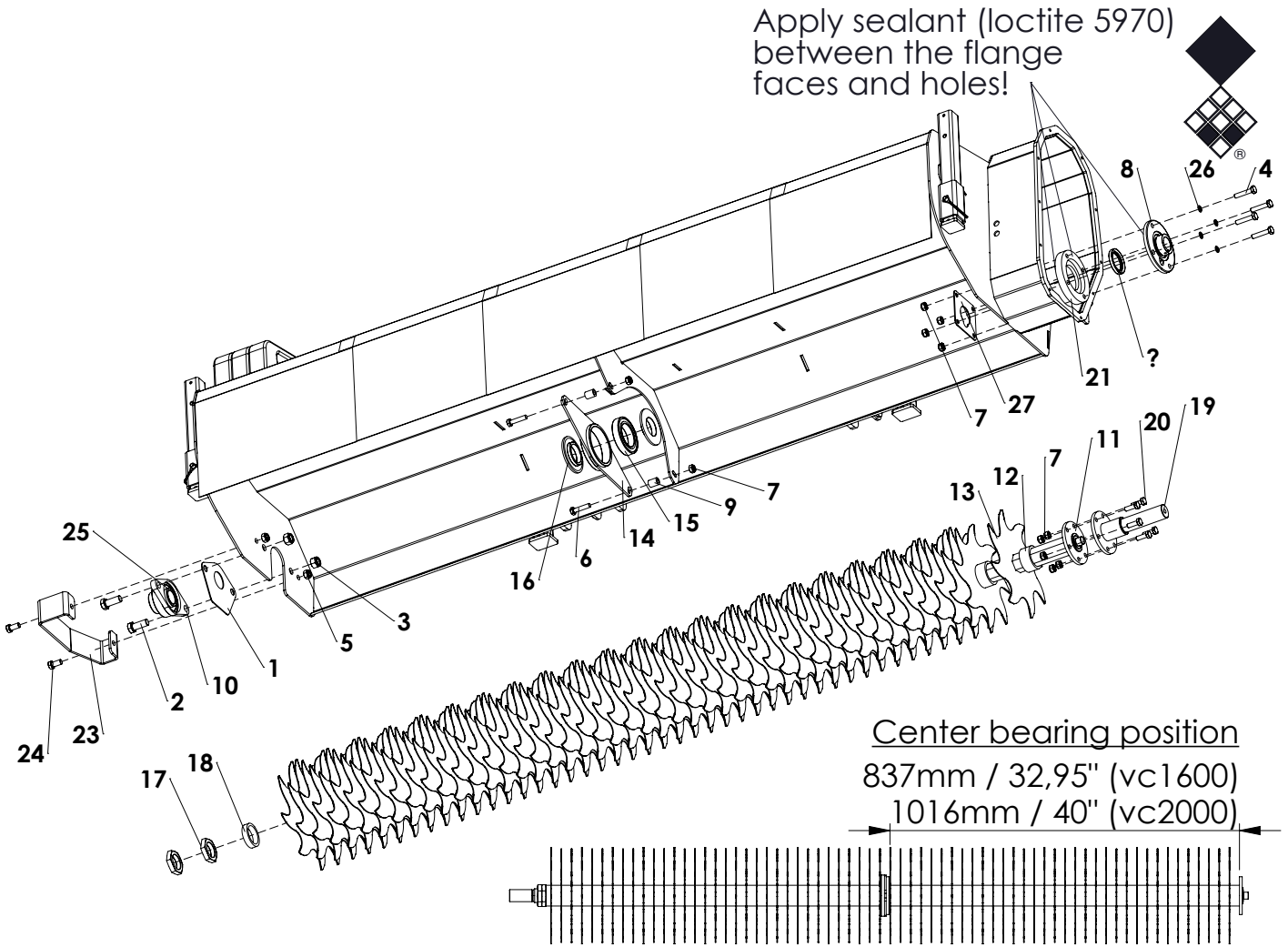


ITEM	PART NUMBER	DESCRIPTION	REMARKS	QUA1600	QUA2000
1	599.021.070	PTO shaft cover		1	1
2	444.036.300	Protection tube		0	1
	444.036.301	Protection tube		1	0
3	402.080.150	Distance bush		4	4
4	468.031.106	Cover holder		1	1
5	468.031.121	Plate		1	1
6	864.080.030	Washer M8 - ISO 7089		10	10
7	866.080.020	Spring Washer M8 - DIN 127		12	12
8	802.080.350	Bolt M8 x 35 - ISO 4014		2	2
9	804.120.300	Bolt M12 x 30 - ISO 4017		4	4
10	830.120.120	Self Lock Nut M12 - ISO 10511 Class 10		2	2
11	864.120.030	Washer M12 - ISO 7089		4	4
12	866.120.020	Spring Washer M12 - DIN 127		4	4
13	804.080.200	Bolt M8 x 20 - ISO 4017		8	8
14	742.350.530	Bearing UELFL 207		1	1
15	596.140.270	Bulkhead coupling		2	2
16	880.080.100	Grease nipple M8 DIN 71412A		2	2
17	844.140.060	Nut M14x1.5		2	2
18	874.140.020	Bonded seal ring M14		2	2
19	596.061.600	Grease hose		1	1
20	596.062.001	Grease hose		1	1
21	420.359.100	Main drive shaft		0	1
	420.358.260	Main drive shaft		1	0
22	629.275.242	PTO Cover 4xØ10 PD95		1	1
23	622.155.241	Comer gearbox T-304A 1.93:1	Check brand	1	1
	622.155.241 RE	Benzi Reduco gearbox G240 000 028 1.92:1	Check brand	1	1
24	537.380.270	Breather 3/8" BSP	Check thread: 3/8" BSP	1	1
	537.160.320	Breather M16x1.5	Check thread: M16x1.5	1	1
25	446.041.610	Rubber seal		1	1
26	468.081.610	Plate oil seal		1	1
27	404.120.220	Bush		2	2
28	468.031.122	Plate		1	1
29	763.350.070	Oil seal 35x50x7		1	1
30	769.120.020	Bonded seal ring M12		2	2
31	802.120.550	Bolt M12 x 55 - ISO 4014 - 10.9		2	2
32	804.080.300	Bolt M8 x 30 - ISO 4017		2	2
33	864.120.063	Washer M12 - DIN 7349		2	2

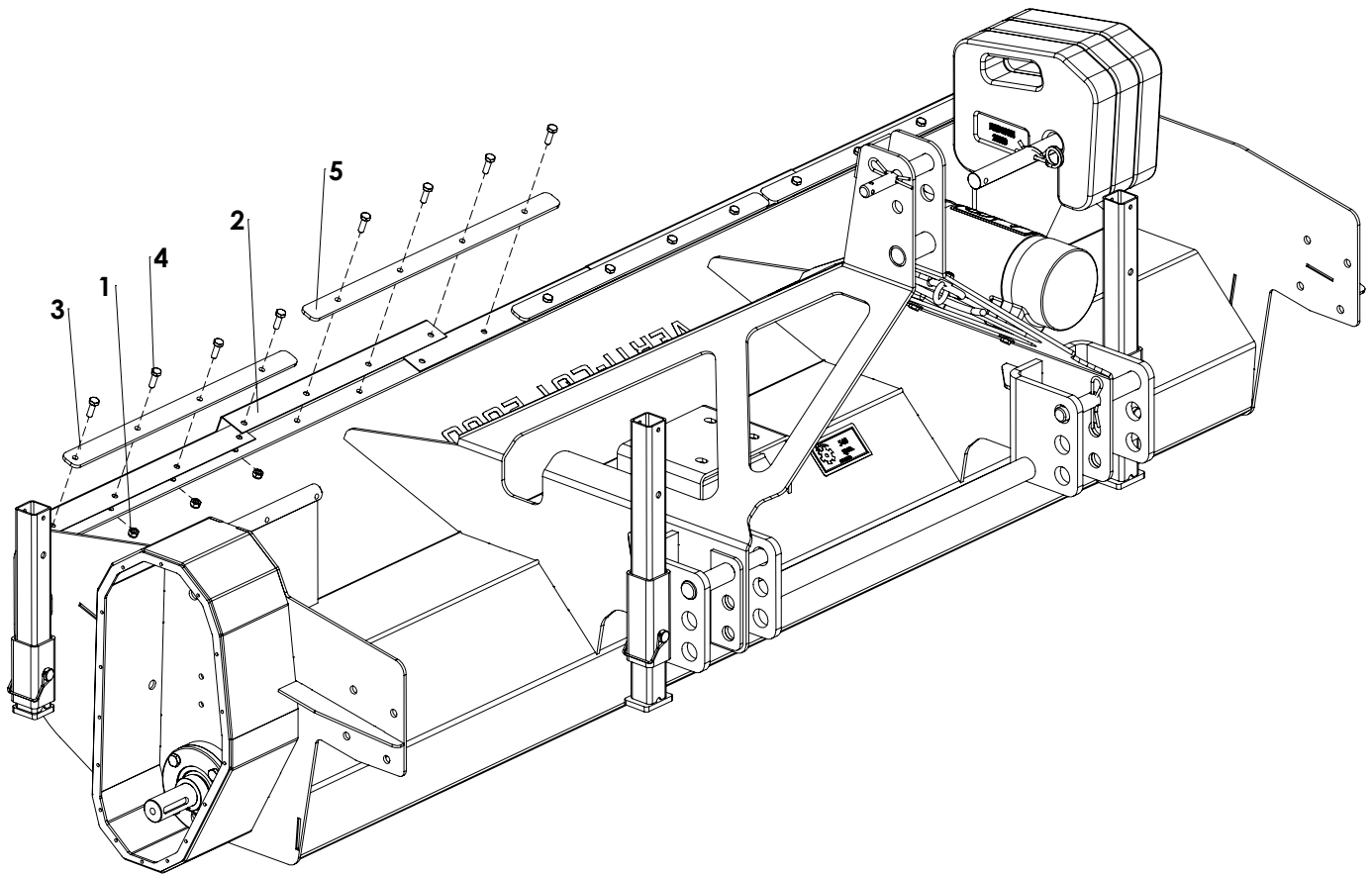


ITEM	PART NUMBER	DESCRIPTION	REMARKS	QUA1600	QUA2000
1	599.021.070	PTO shaft cover		1	1
2	444.030.630	Protection tube		0	1
	444.030.632	Protection tube		1	0
3	402.080.150	Distance bush		2	2
4	468.031.106	Cover holder		1	1
5	468.031.490	Pipe holder		1	1
6	864.080.030	Washer M8 - ISO 7089		10	10
7	866.080.020	Spring Washer M8 - DIN 127		10	10
8	802.080.350	Bolt M8 x 35 - ISO 4014		2	2
9	830.160.160	Self Lock Nut M16-ISO 10511 Class 10		4	4
10	804.120.300	Bolt M12 x 30 - ISO 4017		4	4
11	864.120.030	Washer M12 - ISO 7089		4	4
12	866.120.020	Spring Washer M12 - DIN 127		4	4
13	804.080.200	Bolt M8 x 20 - ISO 4017		8	8
14	742.350.530	UELFL 207		1	1
15	596.140.270	Bulkhead coupling		1	1
16	596.120.240	Grease nipple connector		1	1
17	596.060.060	Connector		2	2
18	596.061.202	Grease hose L=155mm		1	1
19	880.080.100	Grease nipple M8 DIN 71412A		1	1
20	844.140.060	Nut M14x1.5		1	1
21	420.359.900	Main drive shaft		0	1
	420.358.050	Main drive shaft		1	0
22	629.275.242	PTO Cover 4xØ10 PD95		1	1
23	804.160.600	Bolt M16 x 60 - ISO 4017		2	2
24	549.060.000	Elbow coupling		1	1
25	622.155.241	Comer gearbox T-304A 1.93:1	Check brand	1	1
	622.155.241 RE	Benzi Reduco gearox G240 000 028 1.92:1	Check brand	1	1
26	537.380.270	Breather 3/8" BSP	Check thread: 3/8"BSP	1	1
	537.160.320	Breather M16x1.5	Check thread: M16x1.5	1	1

Apply sealant (loctite 5970) between the flange faces and holes!

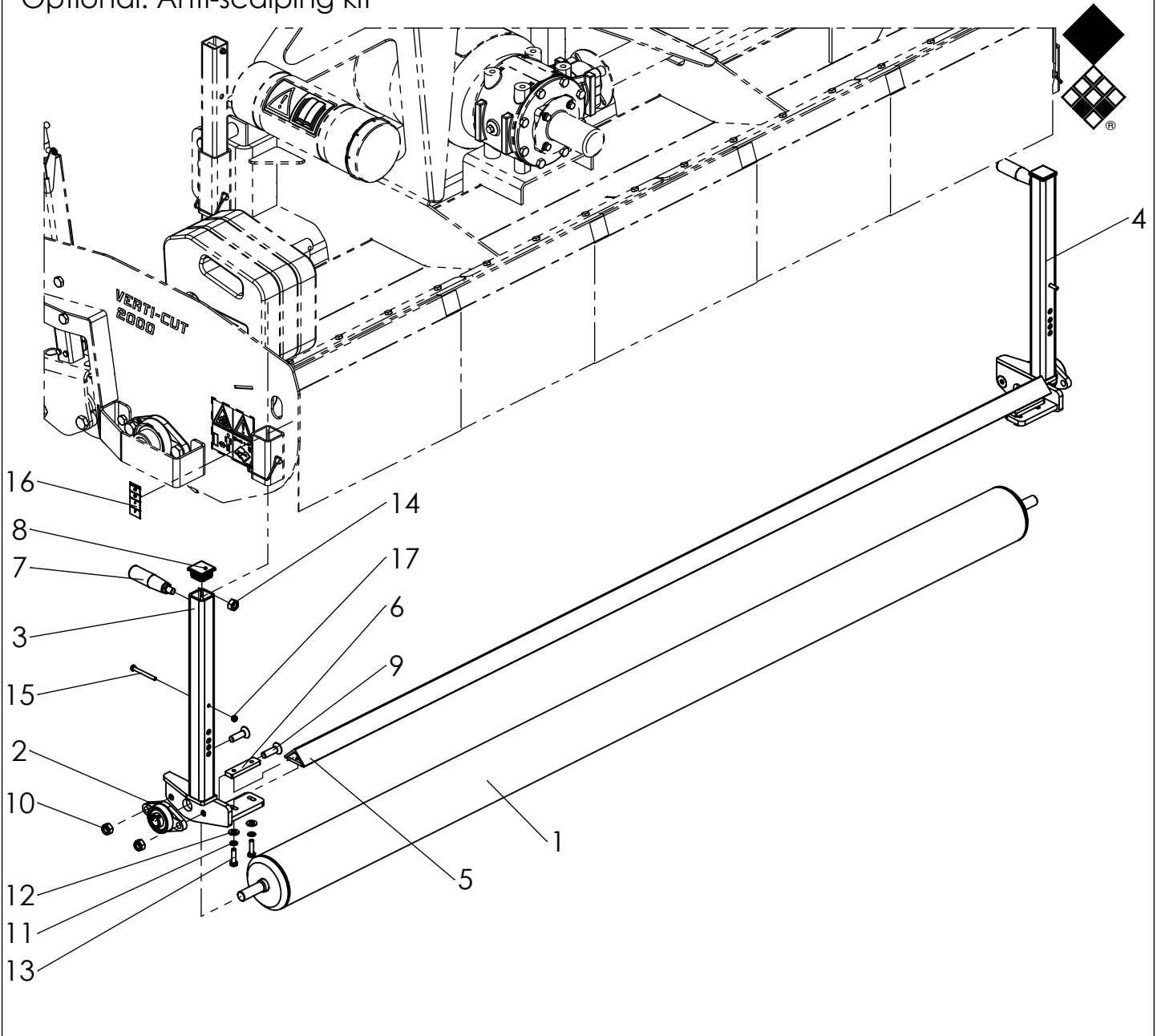


ITEM	PART NUMBER	DESCRIPTION	REMARKS	QUA VC1600	QUA VC2000
1	468.021.510	Cover Plate		1	1
2	804.160.402	Bolt M16 x 40 - ISO 4017 Class 10.9		2	2
3	830.160.160	Self Lock Nut M16-ISO 10511 Class 10		2	2
4	804.100.500	Bolt M10 x 50 - ISO 4017		4	4
5	830.120.120	Self Lock Nut M12 - ISO 10511 Class 10		2	2
6	802.100.450	Bolt M10 x 45 - ISO 4014 - 10.9		2	2
7	830.100.100	Self Lock Nut M10 - ISO 10511		12	12
8	741.350.390	Bearing PME 35-N		1	1
9	406.100.230	Distance bush Ø10/Ø18 L=23		2	2
10	742.350.530	Bearing UELFL 207		1	1
11	422.419.230	weldment shaft Vcut 2000		0	1
	422.419.180	weldment shaft Vcut 1600		1	0
12	406.480.280	Spacer L=28		54	66
13	341.302.280	Scarify blade Ø280 th=2mm	Standard	55	67
	341.303.280	Scarify blade Ø280 th=3mm	Optional	55	67
14	470.243.400	Bearing weldment		1	1
15	713.600.180	Bearing 6012 2RS		1	1
16	404.470.120	Center bearing bush		2	2
17	472.120.602	Cranck shaft nut M40x1.5		2	2
18	406.480.140	Spacer L=14		1	1
19	422.351.810	Gearbox axle		1	1
20	804.100.300	Bolt M10 x 30 - ISO 4017		6	6
21	472.191.350	Concentric ring		1	1
22	762.450.082	Oil seal 45x65x8		1	1
23	464.052.950	Side cover plate		1	1
24	804.120.250	Bolt M12 x 25 - ISO 4017		2	2
25	880.060.100	Grease nipple M6 DIN 71412A		1	1
26	769.100.020	Bonded seal ring		4	4
27	464.021.002	Plate		1	1

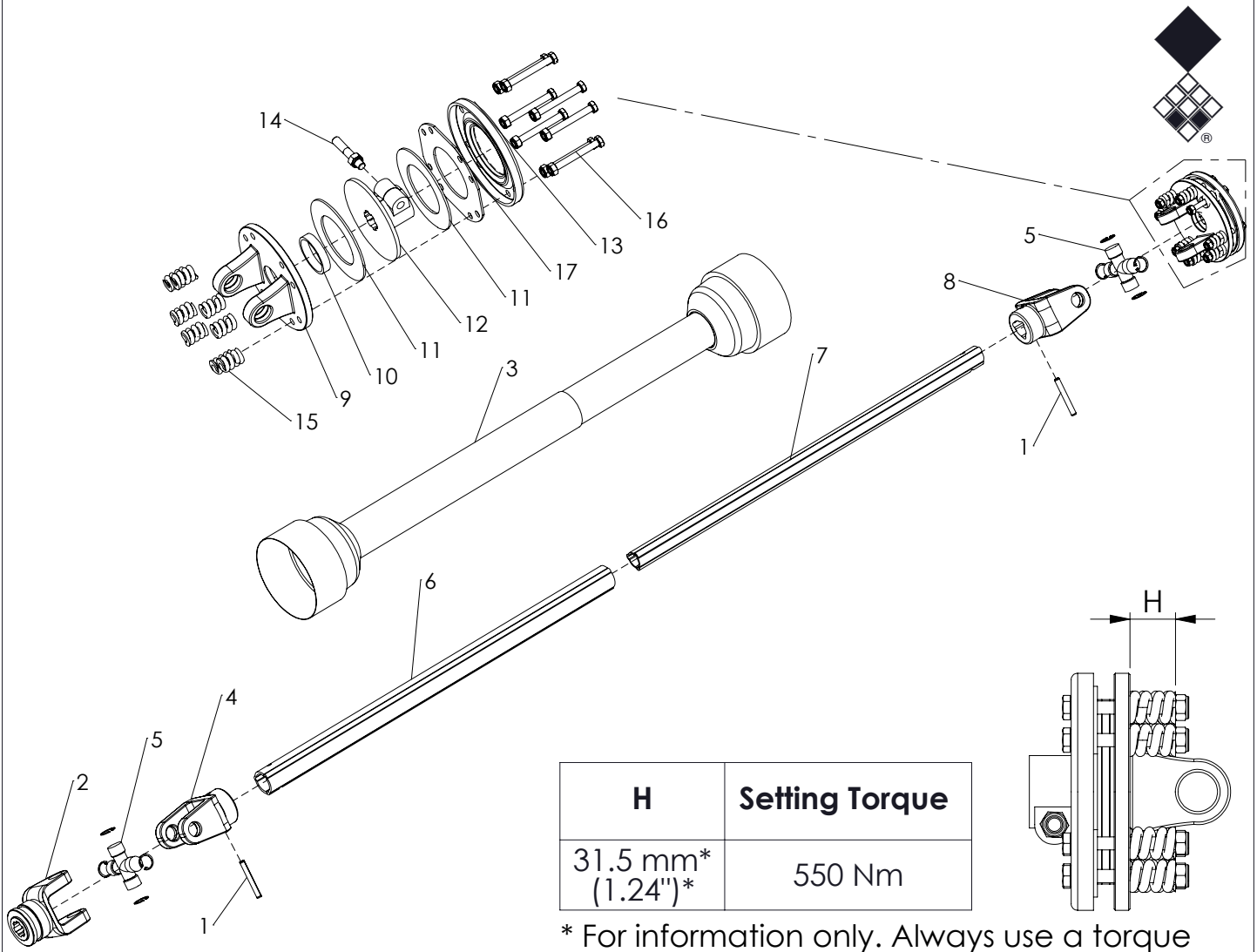


ITEM	PART NUMBER	DESCRIPTION	REMARKS	QUA VC1600	QUA VD2000
1	830.080.080	Self Lock Nut M8 - ISO 10511		13	16
2	446.034.100	Rubber flap		0	5
	446.034.680	Rubber flap		4	0
3	464.054.100	back strip		0	2
	464.054.780	back strip		2	0
4	804.080.250	Bolt M8 x 25 - ISO 4017		13	16
5	464.054.102	back strip middle		0	2
	464.057.930	back strip middle		1	0

Optional: Anti-scalping kit



ITEM	PART NUMBER	DESCRIPTION	REMARKS	QUA VC1600	QUA VC2000
1	488.114.222	Rear roller		0	1
	488.114.186	Rear roller		1	0
2	742.200.330	Bearing UCFL 204		2	2
3	462.175.535	Left weldment rearroller		1	1
4	462.175.536	Right weldment rearroller		1	1
5	462.040.921	Scraper rearroller		0	1
	462.040.917	Scraper rearroller		1	0
6	464.080.802	Thread strip		2	2
7	599.121.120	Handgrip		2	2
8	892.400.020	Plastic Stop 40x40		2	2
9	816.120.400	Bolt M12 x 40 - DIN 7991		4	4
10	830.120.120	Self Lock Nut M12 - ISO 10511 Class 10		4	4
11	866.080.020	Spring Washer M8 - DIN 127		4	4
12	864.100.030	Washer M10 - ISO 7089		4	4
13	804.080.300	Bolt M8 x 30 - ISO 4017		4	4
14	826.120.120	Nut M12 - DIN 934		2	2
15	804.060.600	ISO 4017 - M6 x 60-C		2	2
16	944.340.000	Depth decall		2	2
17	830.060.060	Self Lock Nut M6 - ISO 10511		2	2
	244.160.000	Anti-scalping kit		1	0
	244.200.000	Anti-scalping kit		0	1



H	Setting Torque
31.5 mm* (1.24")*	550 Nm

\* For information only. Always use a torque test rig to set the correct value.

**ALWAYS** deburr parts when cut  
**MEASURE** correct length of PTO first  
**MAINTAIN** slipclutch every month  
**NEVER USE** PTO over 30 degrees  
**SLIPCLUTCH** always on machine side

ITEM	PART NUMBER	DESCRIPTION	REMARKS	QUA
1	19000018	Outer roll pin		2
2	BEN PT140119	End yoke with quick lock		1
3	BEN PT143249	Safety guard group	Cut to correct length	1
4	BEN PT143666	Outer tube yoke		1
5	BEN PT151242	Universal joint assembled		2
6	BEN PT154926	Tubing cut to size	Cut to correct length	1
7	BEN PT157727	Tubing cut to size	Cut to correct length	1
8	BEN PT158836	Inner tube yoke		1
9	BEN F1B06	Flange yoke		1
10	BEN F060	Bush		1
11	BEN F030/S	Lining ring		2
12	BEN F138	Hub		1
13	BEN F1180	Pressure plate		1
14	BEN 90938	Conic bolt and nut		1
15	BEN F0111	Spring		8
16	BEN F10085	Bolt and nut		8
17	BEN F070	Inner plate		1
	611.601.200	PTO shaft type T-60 tl 1200		
	611.606.100	PTO shaft type T-60 tl 610		